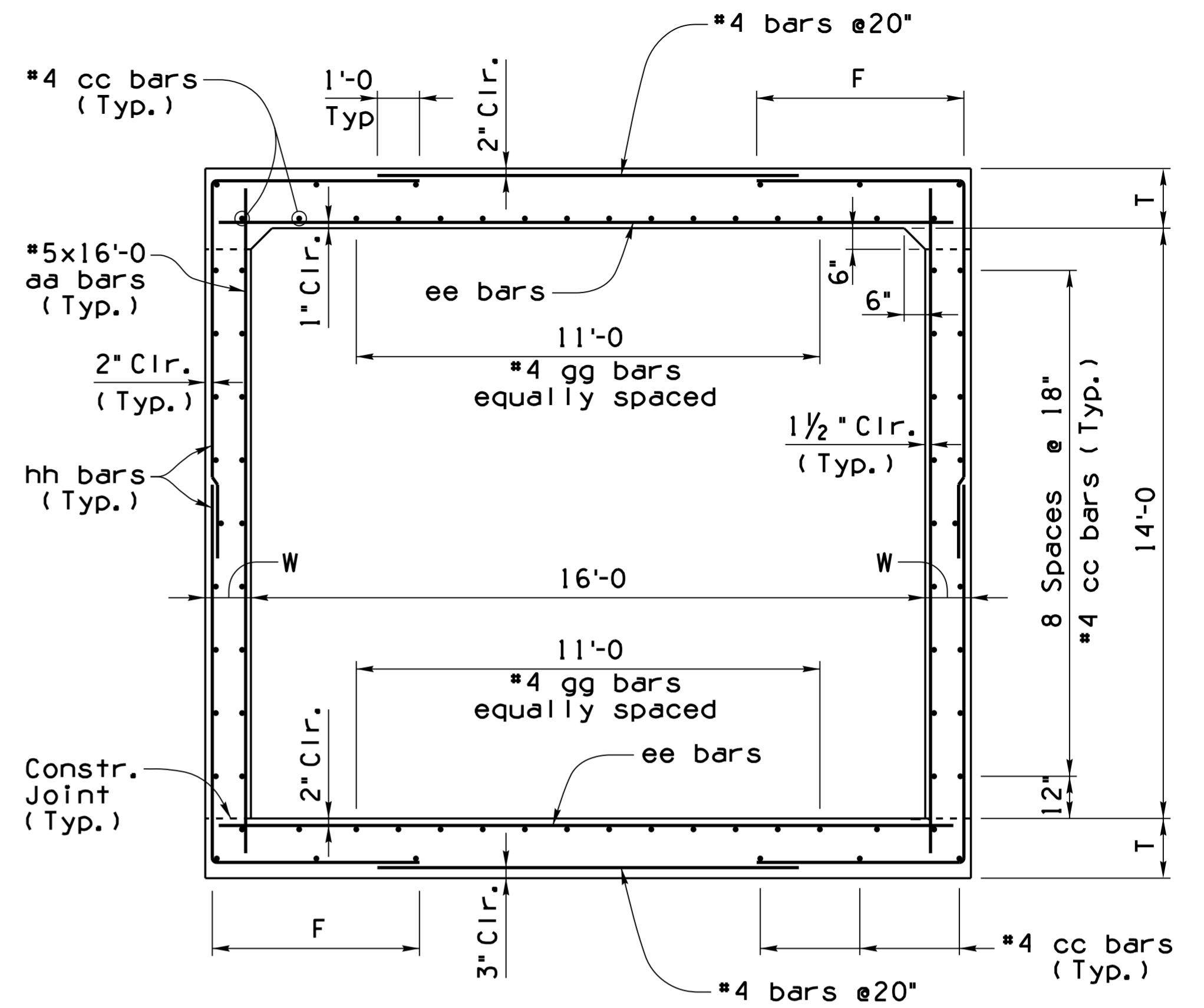
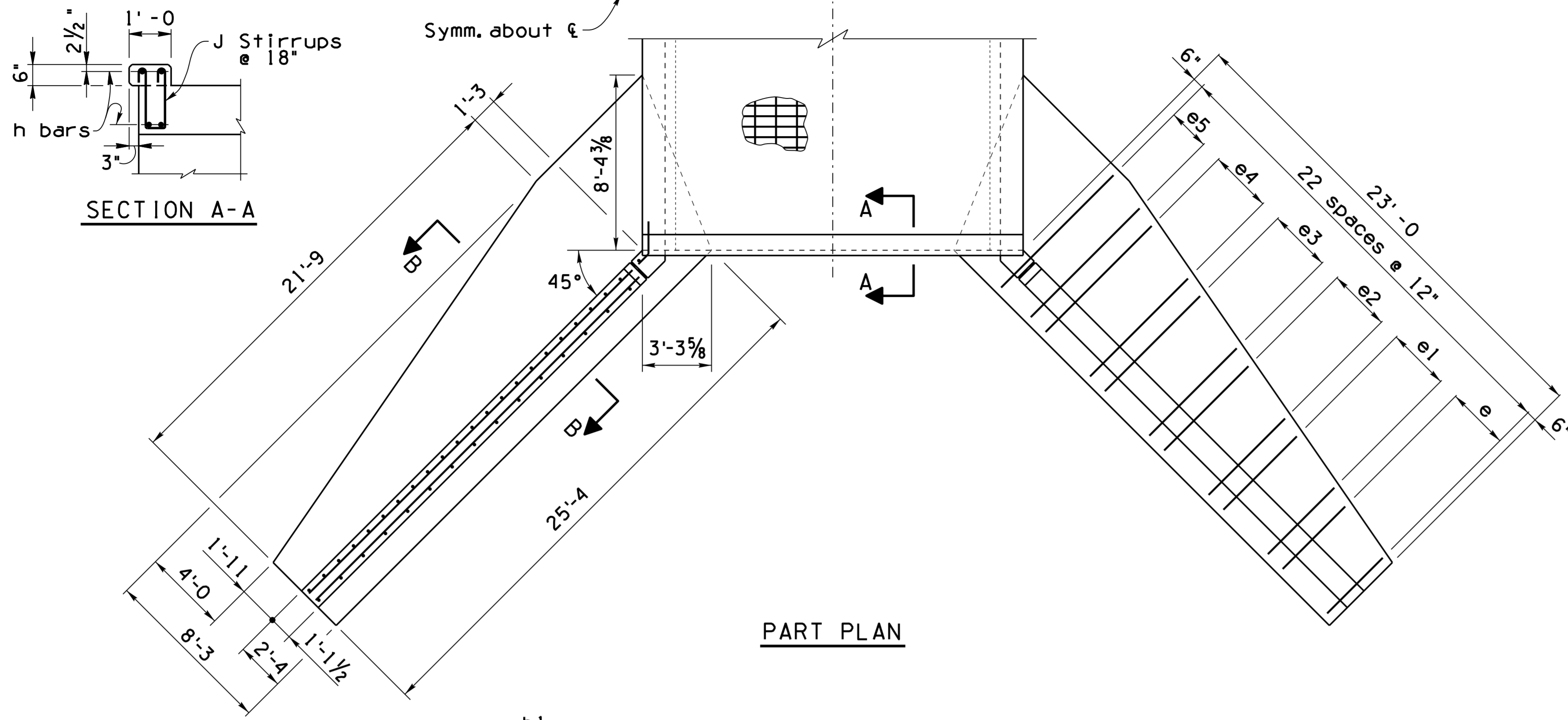
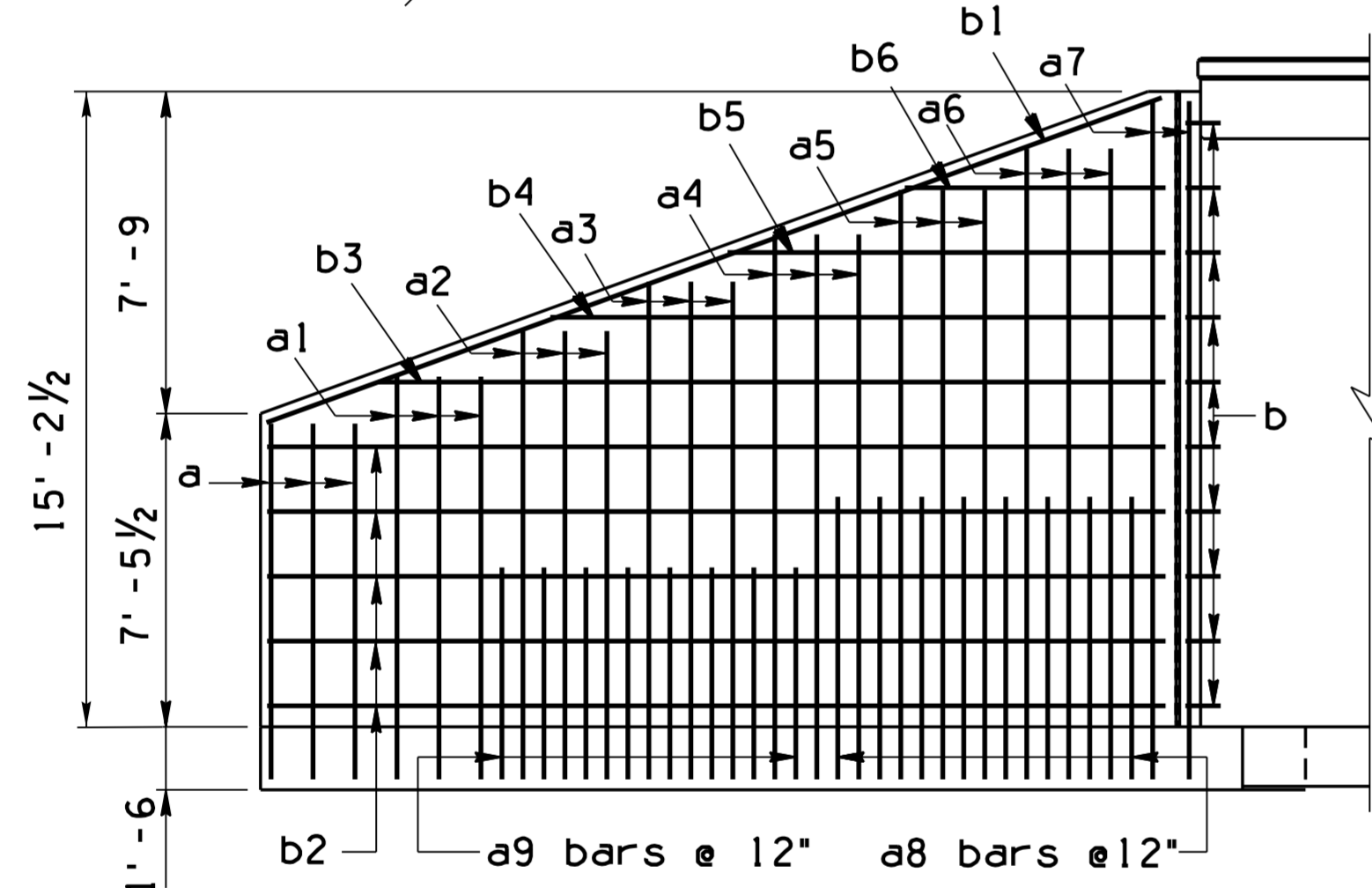


Note to Designer:  
The information presented in this Standard Detail has been prepared in accordance with recognized engineering principles and is for general use. It should not be used for specific application without competent professional examination and verification of its suitability and applicability by a licensed professional engineer. Contents within the inner border line shall not be altered.

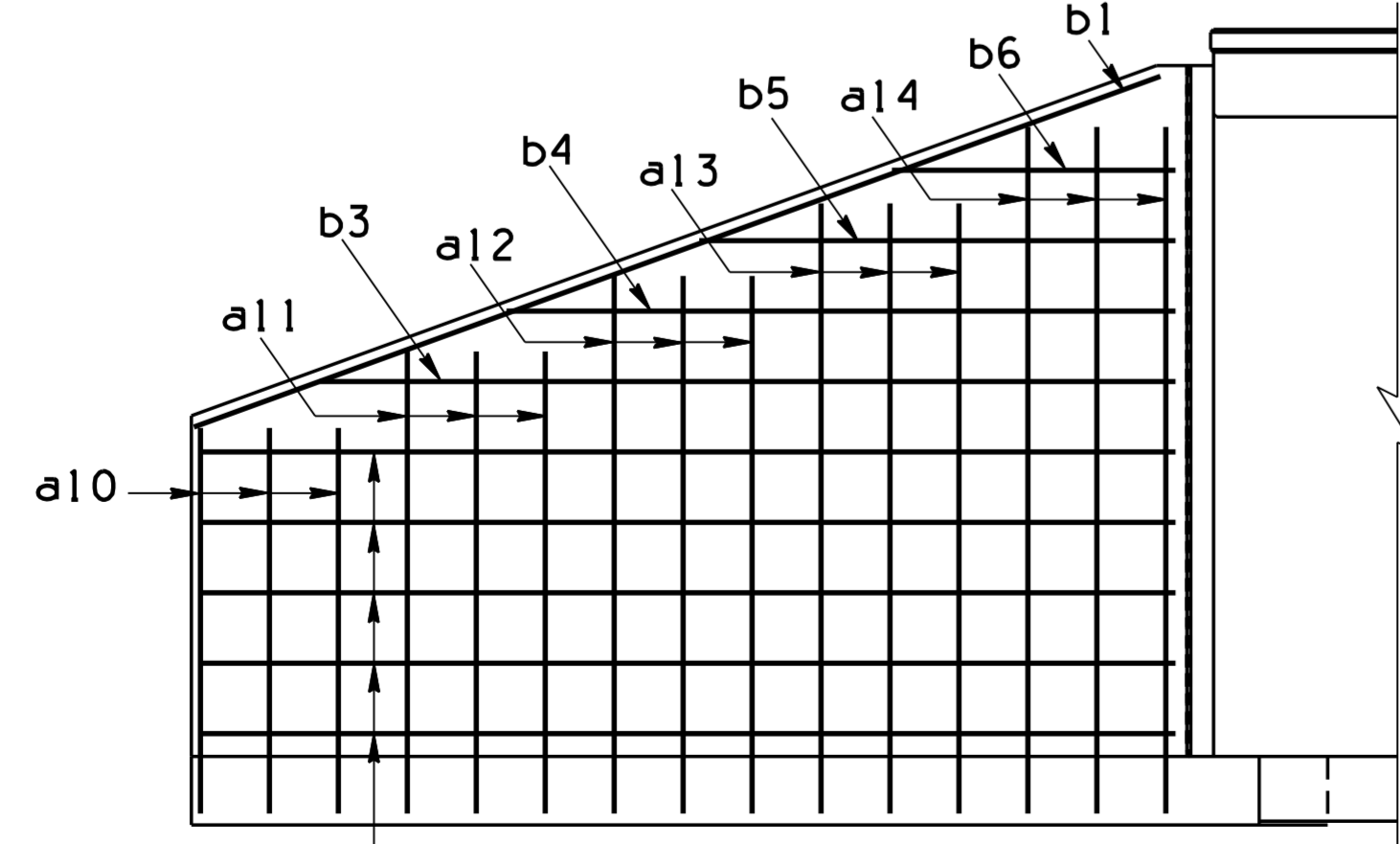
NO.	DESCRIPTION OF REVISIONS	DATE	MADE BY	CHKD. BY
1	Original Issue			
2				
3				
4				



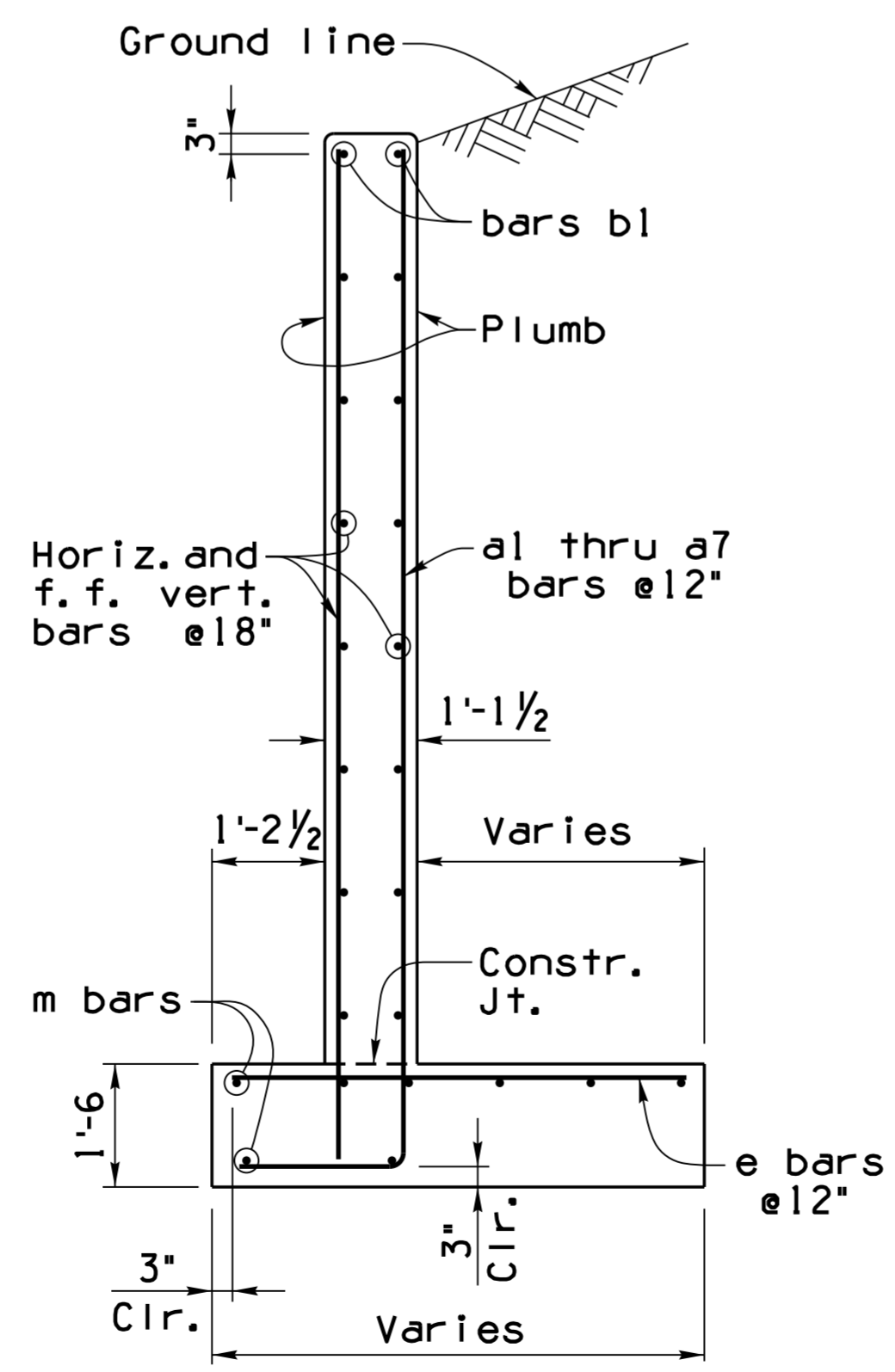
TYPICAL SECTION  
(Shown using Table II)



WING ELEVATION  
(Back Face Reinf.)



WING ELEVATION  
(Front Face Reinf.)

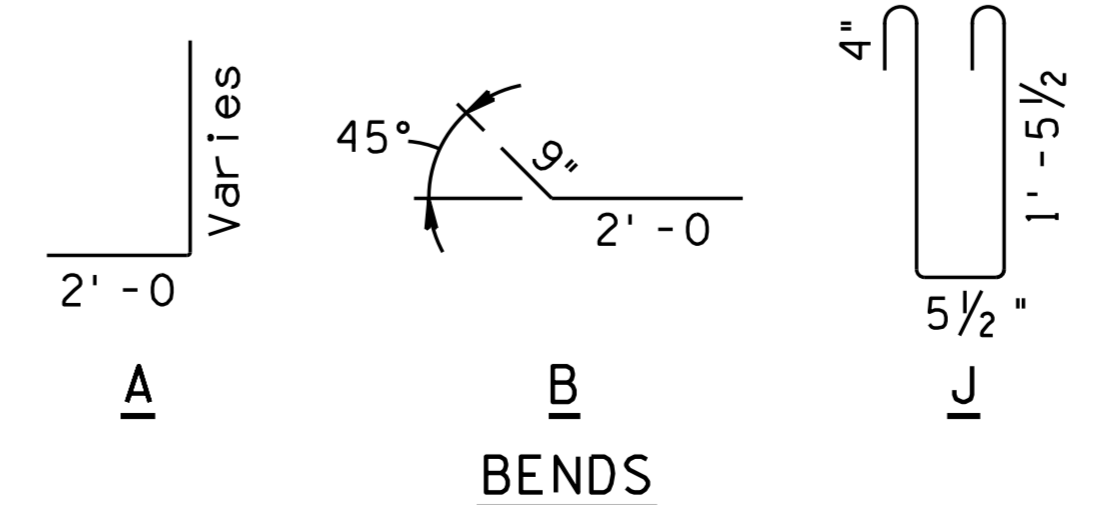


SECTION B-B

HEAD WALL STEEL LIST				
Mark	Bend	Size	No.	Lgth.
a	A	#5	6	10'-9"
a1	A	#5	6	11'-9"
a2	A	#5	6	12'-9"
a3	A	#6	6	13'-9"
a4	A	#6	6	14'-9"
a5	A	#6	6	16'-0"
a6	A	#6	6	17'-0"
a7	A	#7	4	18'-3"
a8	str.	#8	16	7'-3"
a9	str.	#6	16	5'-3"
a10	str.	#4	6	8'-9"
a11	str.	#4	6	10'-3"
a12	str.	#4	6	11'-9"
a13	str.	#4	6	13'-3"
a14	str.	#4	6	15'-0"
m	str.	#4	16	22'-6"
CURB				
h	str.	#8	4	17'-6"
j	J	#4	12	4'-4"
HEAD WALL QUANTITIES				
Steel				3173 Lbs
Conc.				41.5 CY

BARREL STEEL LIST				
FILL	TABLE I	TABLE II	TABLE III	TABLE IV
	0' to 5'	5' to 10'	10' to 15'	15' to 20'
Slab (T)	14 1/2"	17"	20"	22"
Walls (W)	12"	13"	14"	16"
Bars aa (spa)	9"	8"	7"	6"
Bars cc (No.)	56	56	56	56
Bars ee	Size	#9	#10	#10
	Spacing	9"	9"	8"
	Length	17'-8"	17'-10"	18'-0"
Bars gg (No.)	Size	#8	#8	#9
	Spacing	10"	10"	10"
Bars hh	Length	13'-11"	14'-2"	14'-10"
	F	4'-10"	4'-11"	5'-0"
BARREL QUANTITIES				
Steel */Lf	457	502	594	649
Conc. CY/Lf	2.657	3.039	3.483	3.927

NOTE:  
For General Notes, Dimensions, and additional Details, see SD 6.01 (1 to 4).



DESIGN APPROVED <i>Shafiq H. Hasan</i>	ARIZONA DEPARTMENT OF TRANSPORTATION INFRASTRUCTURE DELIVERY AND OPERATIONS DIVISION BRIDGE GROUP STRUCTURE DETAIL		
APPROVED FOR DISTRIBUTION <i>Teon A. Nehme</i>	REINFORCED CONCRETE BOX CULVERTS 16' x 14' EQUIPMENT PASS (0' - 20' FILLS)		
ROUTE	PROJECT NO.	FA NO.	DRAWING NO. <b>SD 6.07</b>
LOCATION			SHEET NO. <b>OF</b>