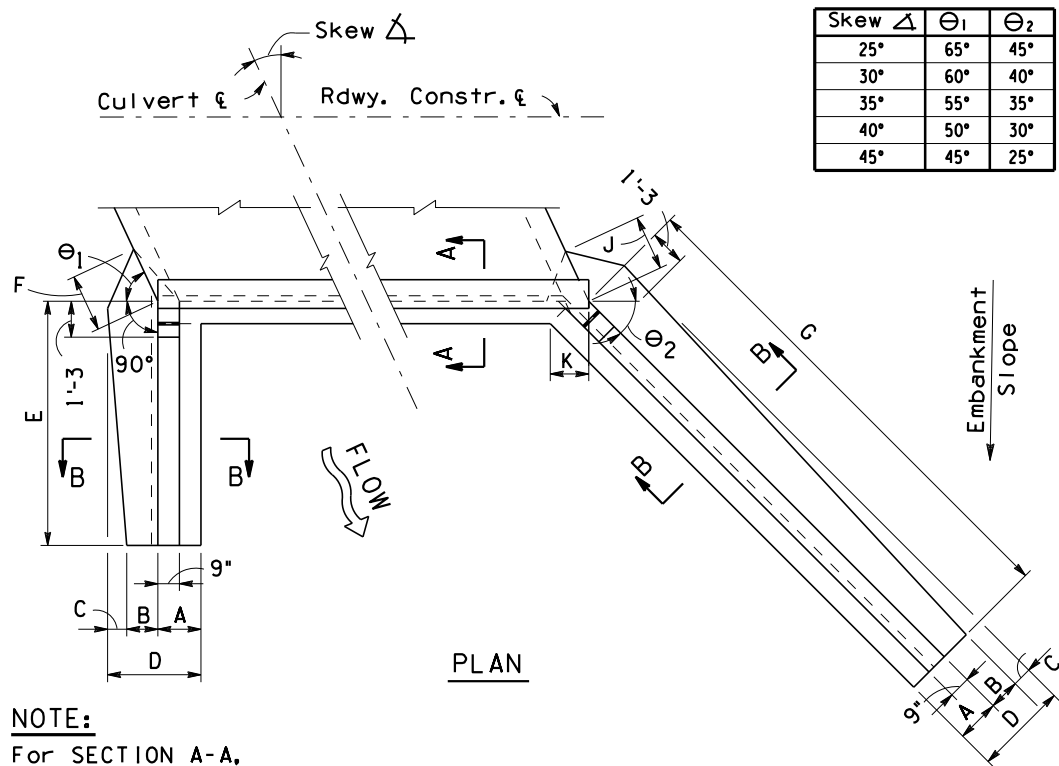
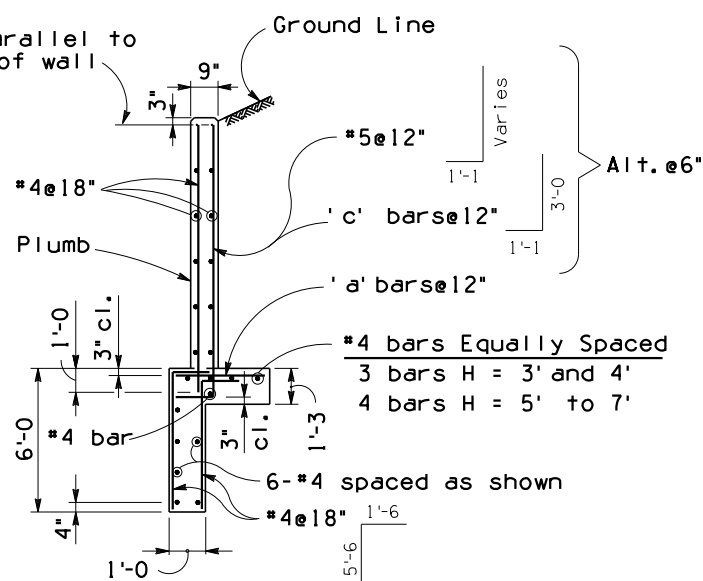


Note to Designer:
 The information presented in this Standard Detail has been prepared in accordance with recognized engineering principles and is for general use. It should not be used for specific application without competent professional examination and verification of its suitability and applicability by a licensed professional engineer. Contents within the inner border line shall not be altered.

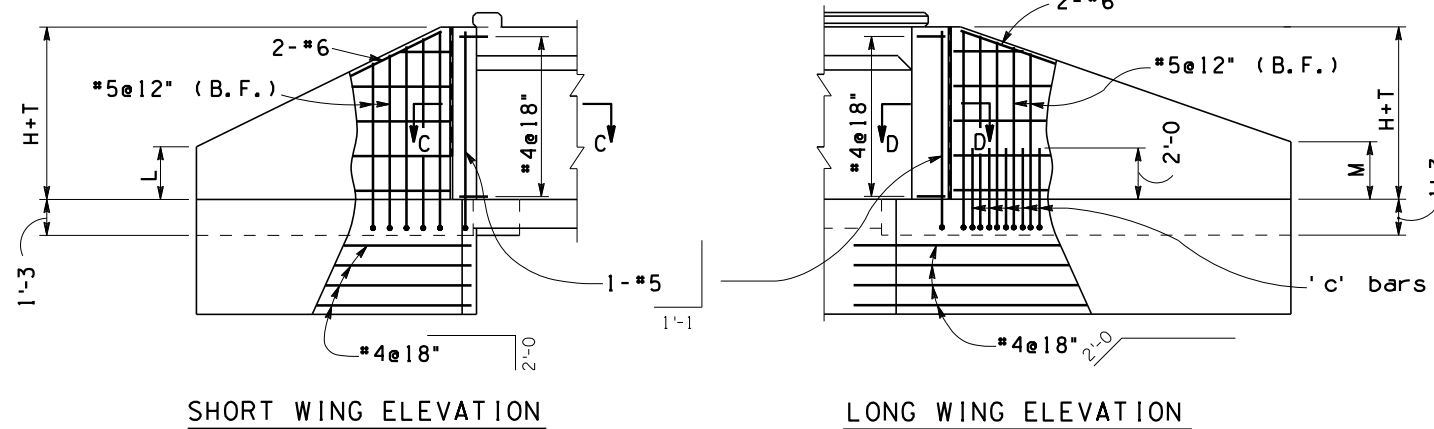
NO.	DATE	DESCRIPTION OF REVISIONS
1	2-12	Original Issue
2	5-15	Added 3' height for existing box extensions only
3		
4		



NOTE:
For SECTION A-A, see SD 6.01 (1 of 5).



SECTION B-B



SHORT WING ELEVATION

LONG WING ELEVATION

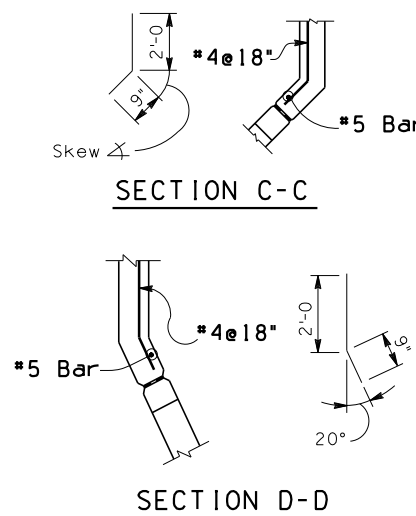
Skew Δ	25°					30°					35°					40°					45°					
	3'	4'	5'	6'	7'	3'	4'	5'	6'	7'	3'	4'	5'	6'	7'	3'	4'	5'	6'	7'	3'	4'	5'	6'	7'	
2 : 1 Slope	Dimensions																									
	A	1'-6"	1'-6"	1'-6"	1'-6"	1'-6"	1'-6"	1'-6"	1'-6"	1'-6"	1'-6"	1'-6"	1'-6"	1'-6"	1'-6"	1'-6"	1'-6"	1'-6"	1'-6"	1'-6"	1'-6"	1'-6"	1'-6"	1'-6"	1'-6"	1'-6"
	B	9"	1'-0"	1'-1"	1'-2"	1'-3"	9"	1'-0"	1'-1"	1'-2"	1'-3"	9"	1'-0"	1'-1"	1'-2"	1'-3"	9"	1'-0"	1'-1"	1'-2"	1'-3"	9"	1'-0"	1'-1"	1'-2"	1'-3"
	C	6"	9"	1'-3"	1'-8"	2'-1"	7"	10"	1'-3"	1'-9"	2'-2"	7"	11"	1'-4"	1'-10"	2'-3"	8"	11"	1'-5"	1'-10"	2'-4"	8"	11"	1'-5"	1'-10"	2'-5"
	D	2'-9"	3'-3"	3'-10"	4'-4"	4'-10"	2'-10"	3'-4"	3'-10"	4'-5"	4'-11"	2'-10"	3'-5"	3'-11"	4'-6"	5'-0"	2'-11"	3'-5"	4'-0"	4'-6"	5'-1"	2'-11"	3'-6"	4'-1"	4'-7"	5'-2"
	E	6'-0"	7'-6"	8'-6"	10'-0"	11'-6"	5'-6"	7'-0"	8'-0"	9'-6"	11'-0"	5'-6"	6'-6"	8'-0"	9'-0"	10'-6"	5'-0"	6'-6"	7'-6"	8'-6"	10'-0"	5'-0"	6'-0"	7'-0"	8'-6"	9'-6"
	F	1'-4"	2'-0"	2'-9"	3'-5"	4'-1"	1'-6"	2'-2"	2'-11"	3'-8"	4'-4"	1'-7"	2'-4"	3'-1"	3'-10"	4'-7"	1'-8"	2'-5"	3'-3"	3'-11"	4'-9"	1'-8"	2'-6"	3'-4"	4'-1"	4'-10"
	G	8'-0"	10'-0"	11'-6"	13'-6"	15'-6"	8'-6"	10'-6"	12'-6"	14'-6"	16'-6"	9'-0"	11'-0"	13'-6"	15'-6"	17'-6"	10'-0"	12'-0"	14'-6"	17'-0"	19'-6"	10'-6"	13'-6"	16'-0"	18'-6"	21'-0"
	J	1'-3"	1'-11"	2'-8"	3'-4"	4'-0"	1'-5"	2'-0"	2'-8"	3'-5"	4'-1"	1'-5"	2'-2"	2'-9"	3'-6"	4'-2"	1'-6"	2'-2"	2'-11"	3'-6"	4'-3"	1'-6"	2'-3"	3'-0"	3'-8"	4'-5"
	K	1'-4 1/2"	1'-4 1/2"	1'-4 1/2"	1'-4 1/2"	1'-4 1/2"	1'-5 1/4"	1'-5 1/4"	1'-5 1/4"	1'-5 1/4"	1'-5 1/4"	1'-6 1/2"	1'-6 1/2"	1'-6 1/2"	1'-6 1/2"	1'-6 1/2"	1'-8 3/8"	1'-8 3/8"	1'-8 3/8"	1'-8 3/8"	1'-8 3/8"	1'-8 3/8"	1'-11 1/4"	1'-11 1/4"	1'-11 1/4"	1'-11 1/4"
	L	1'-1"	1'-4"	1'-10"	2'-1"	2'-4"	1'-4"	1'-7"	2'-1"	2'-4"	2'-7"	1'-4"	1'-10"	2'-1"	2'-7"	2'-10"	1'-7"	1'-10"	2'-4"	2'-10"	3'-1"	1'-7"	2'-1"	2'-7"	2'-10"	3'-4"
	M	1'-3"	1'-6"	2'-0"	2'-3"	2'-7"	1'-4"	1'-8"	2'-1"	2'-5"	2'-9"	1'-6"	1'-11"	2'-2"	2'-7"	3'-1"	1'-7"	2'-1"	2'-5"	2'-10"	3'-2"	1'-10"	2'-3"	2'-8"	3'-2"	3'-8"

Skew Δ	25°					30°					35°					40°					45°					
	3'	4'	5'	6'	7'	3'	4'	5'	6'	7'	3'	4'	5'	6'	7'	3'	4'	5'	6'	7'	3'	4'	5'	6'	7'	
4 : 1 Slope	Dimensions																									
	A	1'-6"	1'-6"	1'-6"	1'-6"	1'-6"	1'-6"	1'-6"	1'-6"	1'-6"	1'-6"	1'-6"	1'-6"	1'-6"	1'-6"	1'-6"	1'-6"	1'-6"	1'-6"	1'-6"	1'-6"	1'-6"	1'-6"	1'-6"	1'-6"	1'-6"
	B	9"	1'-0"	1'-1"	1'-2"	1'-3"	9"	1'-0"	1'-1"	1'-2"	1'-3"	9"	1'-0"	1'-1"	1'-2"	1'-3"	9"	1'-0"	1'-1"	1'-2"	1'-3"	9"	1'-0"	1'-1"	1'-2"	1'-3"
	C	4"	7"	1'-0"	1'-5"	1'-10"	4"	7"	1'-0"	1'-5"	1'-10"	4"	7"	1'-0"	1'-5"	1'-10"	4"	7"	1'-0"	1'-5"	1'-9"	4"	7"	1'-0"	1'-5"	1'-7"
	D	2'-7"	3'-1"	3'-7"	4'-1"	4'-7"	2'-7"	3'-1"	3'-7"	4'-1"	4'-7"	2'-7"	3'-1"	3'-7"	4'-1"	4'-7"	2'-7"	3'-1"	3'-7"	4'-1"	4'-7"	2'-7"	3'-1"	3'-7"	4'-2"	4'-8"
	E	9'-0"	11'-0"	13'-6"	15'-6"	17'-6"	8'-6"	10'-6"	12'-6"	14'-6"	16'-6"	7'-6"	9'-6"	11'-6"	13'-6"	15'-0"	7'-0"	9'-0"	10'-6"	12'-6"	14'-0"	7'-0"	8'-6"	10'-0"	12'-0"	13'-6"
	F	1'-2"	1'-10"	2'-5"	3'-1"	3'-9"	1'-2"	1'-10"	2'-6"	3'-3"	3'-11"	1'-2"	1'-11"	2'-7"	3'-3"	4'-0"	1'-3"	1'-11"	2'-7"	3'-4"	4'-0"	1'-3"	1'-11"	2'-8"	3'-6"	4'-2"
	G	12'-0"	14'-6"	17'-6"	20'-6"	23'-6"	12'-6"	15'-6"	18'-6"	21'-6"	24'-6"	13'-0"	16'-0"	19'-6"	22'-6"	25'-6"	14'-0"	17'-0"	20'-6"	24'-0"	27'-6"	15'-0"	18'-6"	22'-0"	25'-6"	29'-0"
	J	1'-1"	1'-9"	2'-4"	3'-0"	3'-8"	1'-1"	1'-9"	2'-4"	3'-0"	3'-8"	1'-1"	1'-9"	2'-4"	3'-0"	3'-8"	1'-1"	1'-9"	2'-4"	3'-0"	3'-8"	1'-1"	1'-9"	2'-4"	3'-1"	3'-9"
	K	1'-4 1/2"	1'-4 1/2"	1'-4 1/2"	1'-4 1/2"	1'-4 1/2"	1'-5 1/4"	1'-5 1/4"	1'-5 1/4"	1'-5 1/4"	1'-5 1/4"	1'-6 1/2"	1'-6 1/2"	1'-6 1/2"	1'-6 1/2"	1'-6 1/2"	1'-8 3/8"	1'-8 3/8"	1'-8 3/8"	1'-8 3/8"	1'-8 3/8"	1'-11 1/4"	1'-11 1/4"	1'-11 1/4"	1'-11 1/4"	1'-11 1/4"
	L	1'-10"	2'-4"	2'-8"	3'-2"	3'-8"	1'-11"	2'-5"	2'-11"	3'-5"	3'-11"	2'-2"	2'-8"	3'-2"	3'-8"	4'-4"	2'-4"	2'-10"	3'-5"	3'-11"	4'-7"	2'-4"	2'-11"	3'-7"	4'-1"	4'-8"
	M	1'-11"	2'-6"	3'-0"	3'-5"	3'-11"	2'-1"	2'-7"	3'-1"	3'-7"	4'-2"	2'-2"	2'-9"	3'-3"	3'-10"	4'-5"	2'-4"	2'-11"	3'-6"	4'-1"	4'-8"	2'-6"	3'-1"	3'-9"	4'-4"	5'-0"

Skew Δ	25°					30°					35°					40°					45°					
	3'	4'	5'	6'	7'	3'	4'	5'	6'	7'	3'	4'	5'	6'	7'	3'	4'	5'	6'	7'	3'	4'	5'	6'	7'	
6 : 1 Slope	Dimensions																									
	A	1'-6"	1'-6"	1'-6"	1'-6"	1'-6"	1'-6"	1'-6"	1'-6"	1'-6"	1'-6"	1'-6"	1'-6"	1'-6"	1'-6"	1'-6"	1'-6"	1'-6"	1'-6"	1'-6"	1'-6"	1'-6"	1'-6"	1'-6"	1'-6"	1'-6"
	B	9"	1'-0"	1'-1"	1'-2"	1'-4"	9"	1'-0"	1'-1"	1'-2"	1'-6"	9"	1'-0"	1'-1"	1'-3"	1'-7"	9"	1'-0"	1'-1"	1'-4"	1'-8"	9"	1'-0"	1'-2"	1'-6"	1'-10"
	C	3"	7"	11"	1'-4"	1'-8"	3"	6"	11"	1'-4"	1'-6"	3"	6"	11"	1'-3"	1'-5"	3"	6"	11"	1'-2"	1'-4"	3"	6"	10"	1'-0"	1'-2"
	D	2'-6"	3'-0"	3'-6"	4'-0"	4'-6"	2'-6"	3'-0"	3'-6"	4'-0"	4'-6"	2'-6"	3'-0"	3'-6"	4'-0"	4'-6"	2'-6"	3'-0"	3'-6"	4'-0"	4'-6"	2'-6"	3'-0"	3'-6"	4'-0"	4'-6"
	E	11'-0"	13'-6"	16'-0"	19'-0"	21'-6"	10'-0"	12'-6"	14'-6"	17'-0"	19'-6"	9'-0"	11'-6"	13'-6"	15'-6"	18'-0"	8'-6"	10'-6"	12'-6"	14'-6"	16'-6"	8'-0"	10'-0"	12'-0"	13'-6"	15'-6"
	F	1'-0"	1'-8"	2'-4"	3'-0"	3'-8"	1'-1"	1'-9"	2'-5"	3'-1"	3'-9"	1'-1"	1'-9"	2'-6"	3'-2"	3'-10"	1'-1"	1'-10"	2'-6"	3'-3"	3'-11"	1'-1"	1'-10"	2'-6"	3'-3"	3'-11"
	G	14'-0"	17'-6"	21'-0"	24'-6"	28'-0"	14'-6"	18'-6"	22'-0"	25'-6"	29'-0"	15'-6"	19'-0"	23'-0"	26'-6"	30'-6"	16'-0"	20'-0"	24'-0"	28'-0"	32'-0"	17'-0"	21'-0"	25'-0"	29'-6"	33'-6"
	J	1'-0"	1'-7"	2'-3"	2'-11"	3'-6"	1'-0"	1'-7"	2'-3"	2'-11"	3'-6"	1'-0"	1'-7"	2'-3"	2'-11"	3'-6"	1'-0"	1'-7"	2'-3"	2'-11"	3'-6"	1'-0"	1'-7"	2'-3"	2'-11"	3'-6"
	K	1'-4 1/2"	1'-4 1/2"	1'-4 1/2"	1'-4 1/2"	1'-4 1/2"	1'-5 1/4"	1'-5 1/4"	1'-5 1/4"	1'-5 1/4"	1'-5 1/4"	1'-6 1/2"	1'-6 1/2"	1'-6 1/2"	1'-6 1/2"	1'-6 1/2"	1'-8 3/8"	1'-8 3/8"	1'-8 3/8"	1'-8 3/8"	1'-8 3/8"	1'-11 1/4"	1'-11 1/4"	1'-11 1/4"	1'-11 1/4"	1'-11 1/4"
	L	2'-3"	2'-10"	3'-5"	3'-11"	4'-6"	2'-5"	3'-0"	3'-8"	4'-3"	4'-10"	2'-7"	3'-2"	3'-10"	4'-6"	5'-1"	2'-8"	3'-4"	4'-0"	4'-8"	5'-4"	2'-9"	3'-5"	4'-1"	4'-10"	5'-6"
	M	2'-5"	3'-0"	3'-7"	4'-2"	4'-9"	2'-6"	3'-1"	3'-8"	4'-4"	4'-11"	2'-7"	3'-3"	3'-10"	4'-6"	5'-2"	2'-9"	3'-5"	4'-1"	4'-9"	5'-5"	2'-10"	3'-7"	4'-4"	5'-0"	5'-8"

H = T.	'c' Bars Long Wingwall		
	Skew Δ	2:1 Slope	4:1 Slope
	25°	3 - #5	3 - #5
	30°	3 - #5	3 - #5
	35°	4 - #5	4 - #5
40°	4 - #5	4 - #5	
45°	5 - #5	4 - #5	

Height H	'a' Bars		
	Short Wing	Long Wing	
	3'	#4	#4
	4'	#4	#4
	5'	#4	#4
6'	#4	#5	
7'	#4	#6	



NOTE:
For General Notes, Dimensions, and additional Details, see SD 6.01 (1 of 5). For Headwall Quantities see SD 6.09 (1 to 3).

DESIGN APPROVED		ARIZONA DEPARTMENT OF TRANSPORTATION INTERMODAL TRANSPORTATION DIVISION BRIDGE GROUP STRUCTURE DETAIL	
<i>Celina Aman</i>		REINFORCED CONCRETE BOX CULVERTS OUTLET WINGS - SKEW 25° to 45° CULVERT HEIGHT 3' to 7'	
APPROVED FOR DISTRIBUTION		DRAWING NO. SD 6.08 (5 of 8)	
PROJECT NO.		SHEET NO.	
LOCATION		OF	