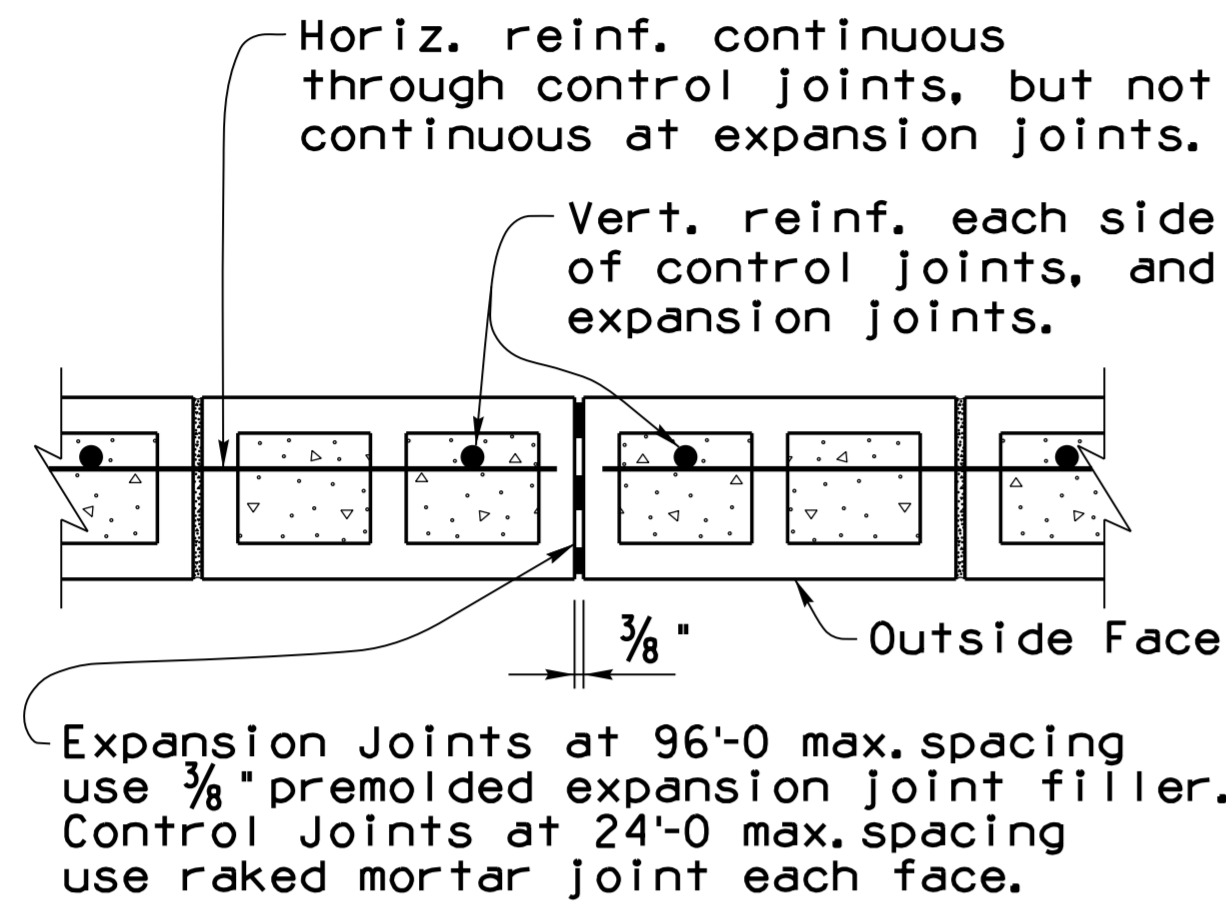
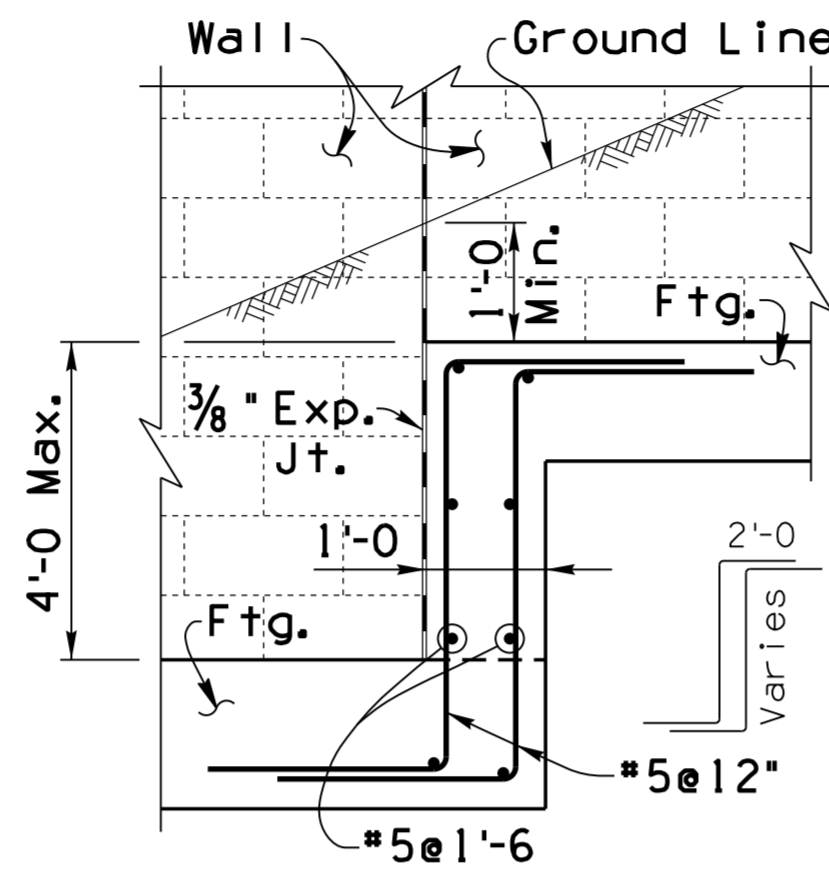


Note to Designer:
 The information presented in this Standard Detail has been prepared in accordance with recognized engineering principles and is for general use. It should not be used for specific application without competent professional examination and verification of its suitability and applicability by a licensed professional engineer. Contents within the inner border line shall not be altered.

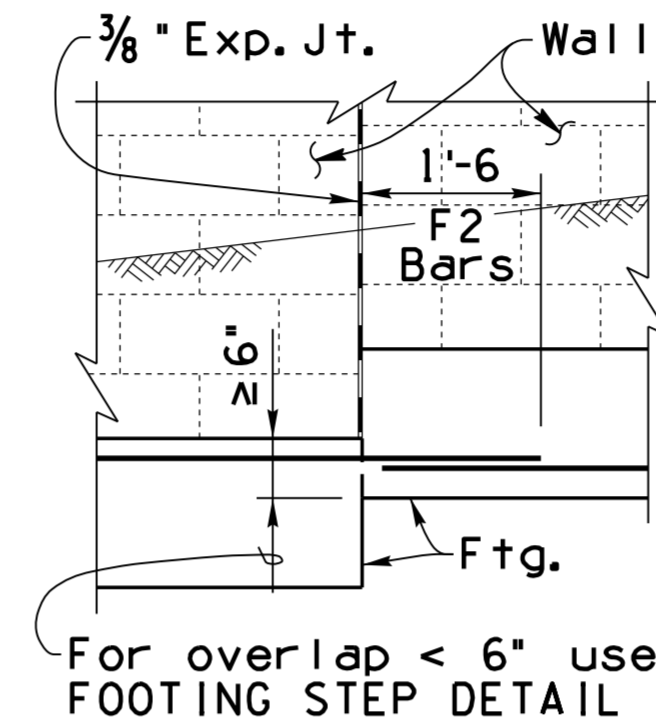
NO.	DESCRIPTION OF REVISIONS	MADE BY	DATE
1	Original Issue	SJH	9-10
2			
3			
4			



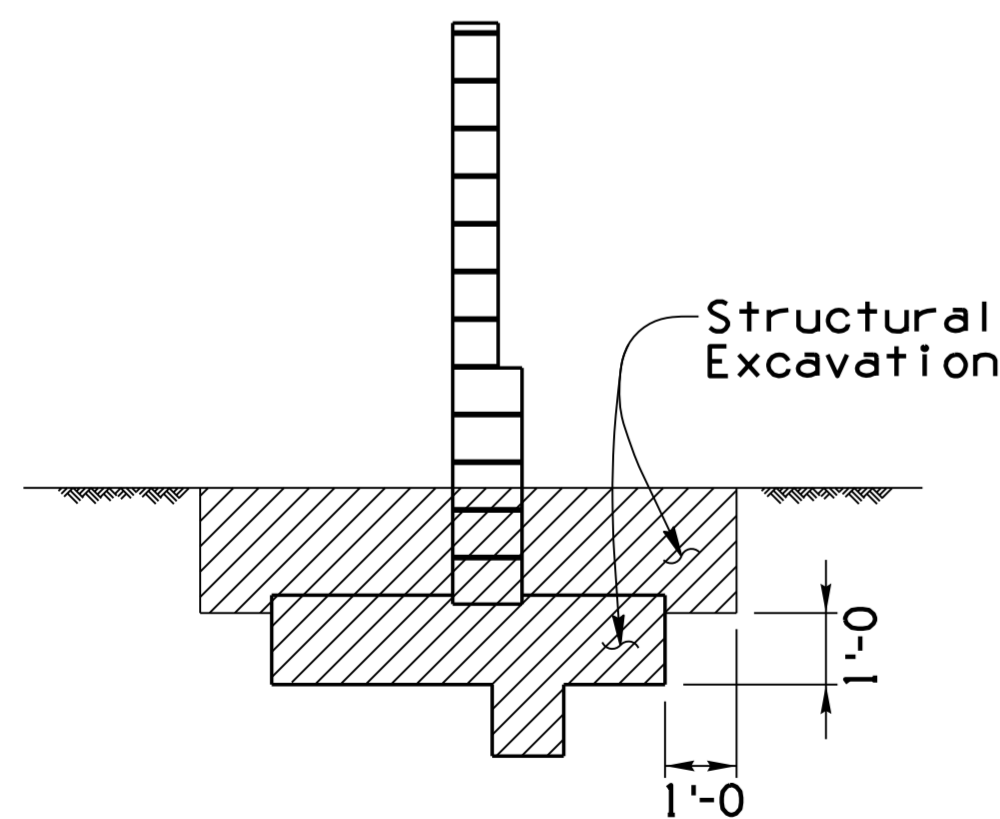
EXPANSION/CONTROL JOINT DETAIL



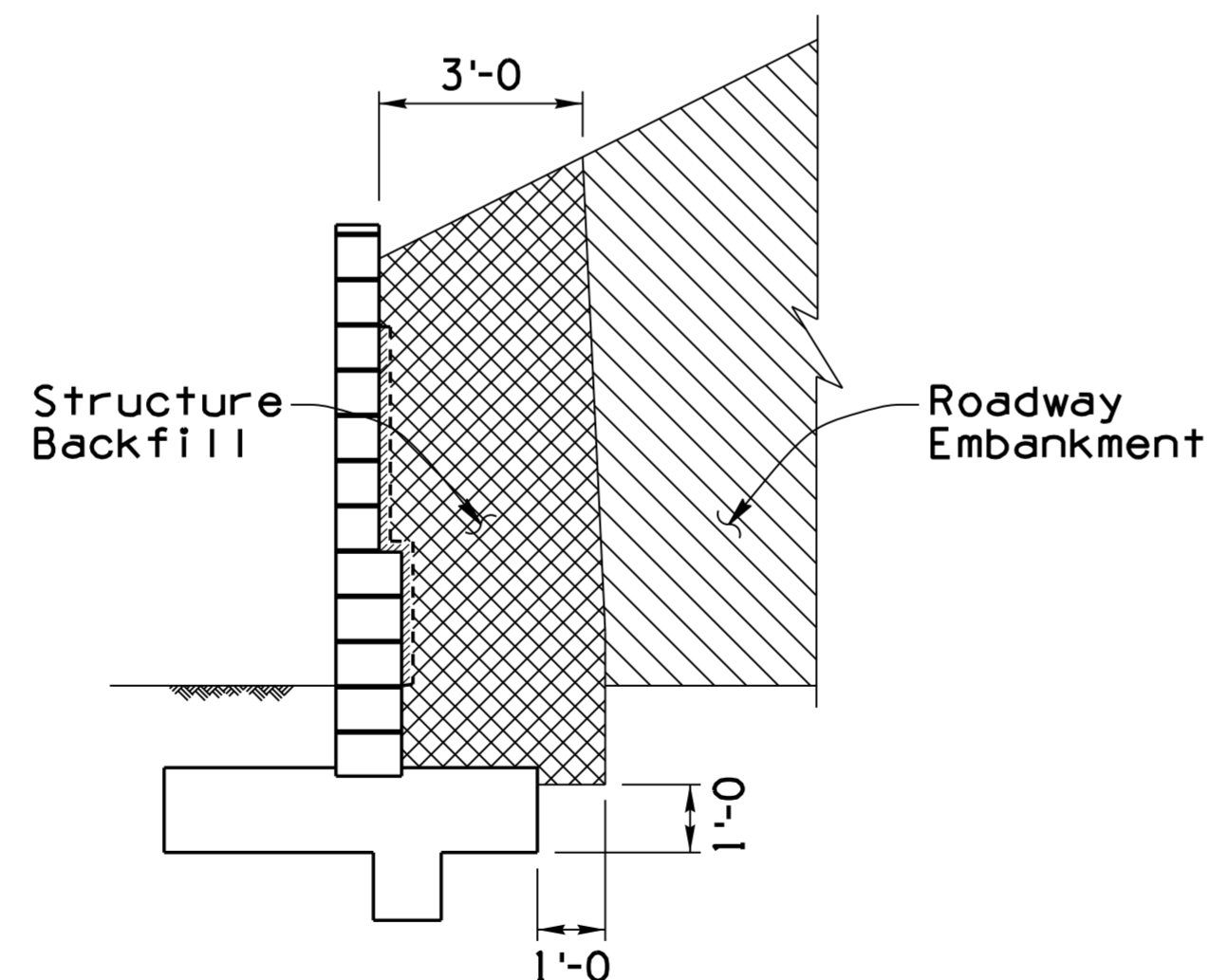
FOOTING STEP DETAIL



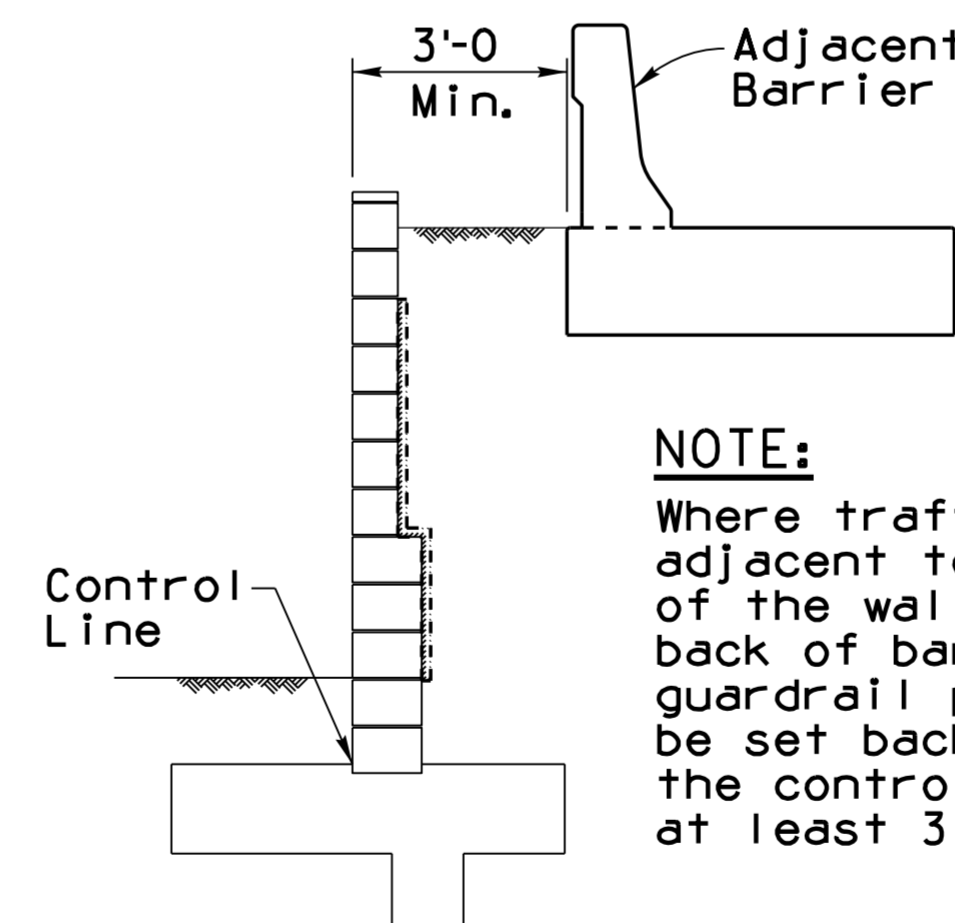
FOOTING DETAIL



STRUCTURAL EXCAVATION LIMITS



STRUCTURE BACKFILL LIMITS



TYPICAL SECTION

NOTE:
 Where traffic is adjacent to the top of the wall, the back of barrier or guardrail post shall be set back from the control line at least 3 feet.

GENERAL NOTES (Continued):

Materials Notes:

Masonry: f'm = 1500 psi, ASTM C90, Medium or Normal weight, Running Bond, SLUMP BLOCK unless noted otherwise.

Mortar: ASTM C270, Type S, Cube Strength 1800 psi, ASTM C91 cement.

Grout: ASTM C476, Type Coarse, Cube strength 2000 psi.

Reinforcing Steel: ASTM A615, Grade 60.

Joint Reinforcing: 9 Gauge Ladder or Truss type, Standard weight, fy=33,000 psi, ASTM A82 Wire.

Special Inspection Notes:

Special inspection and testing, provided by the Department, are required for the masonry retaining wall stem to assure quality materials and construction.

(A) Pre-construction:

- 1) Verify correct block type to be used.
- 2) Verify correct mortar and grout to be used.
- 3) Verify the location, spacing, size and lap length of vertical reinforcing dowel bars and wall reinforcement that is within plus or minus 1/2" of the plan dimension as measured normal to the wall and plus or minus 2" in the longitudinal direction.
- 4) Verify that masonry units are clean and free from dirt when placed in the wall. Masonry units shall be dry before placement.

(B) Construction:

- 1) Observe, periodically, the placement of the masonry units and the making of the mortar. Verify that the initial bed joint thickness is not less than 1/4" or more than 1"; subsequent bed joints shall not be less than 1/4" or more than 5/8" in thickness.
- 2) Observe all grout placements.
- 3) Verify horizontal joint reinforcing size, location, and spacing.
- 4) Verify that all concrete masonry units are placed in uniform and true course, level and plumb with a tolerance of 1/4" in 8 feet, non-cumulative.
- 5) Verify that concrete masonry units are placed to the desired height with joints of uniform thickness. Level, plumb and straighten before the mortar stiffens. Bond shall be plumb throughout.
- 6) Verify that all concrete masonry units are cured by sprinkling twice a day for minimum of 2 days.

NOTE:

For General Notes, Typical Elevation, Sections and Details see SD 7.02 (1 of 2).

DESIGN APPROVED <i>Shafiq U. Hasan</i>		ARIZONA DEPARTMENT OF TRANSPORTATION INFRASTRUCTURE DELIVERY AND OPERATIONS DIVISION BRIDGE GROUP STRUCTURE DETAIL	
APPROVED FOR DISTRIBUTION <i>Teon A. Nehme</i>		RETAINING WALL (MASONRY CANTILEVER)	
ROUTE	PROJECT NO.	FA NO.	DRAWING NO. SD 7.02 (2 of 2)
LOCATION			SHEET NO. OF