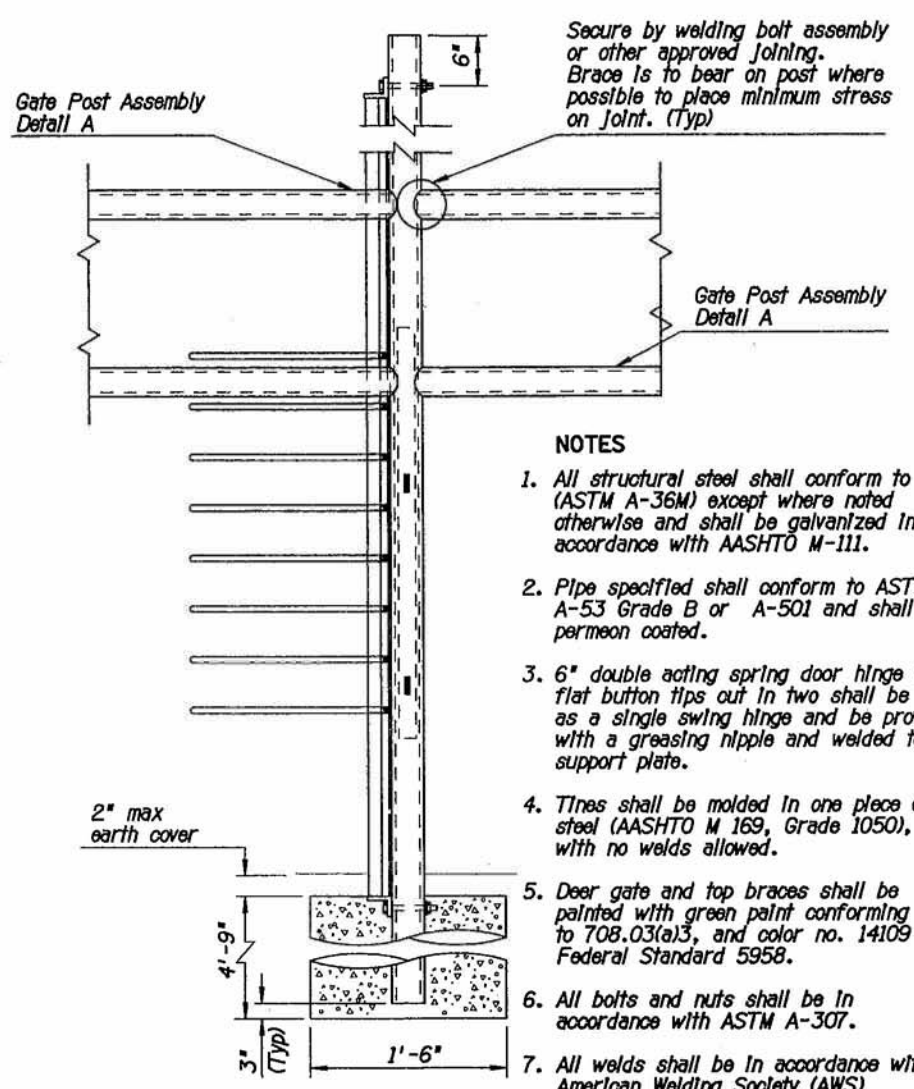
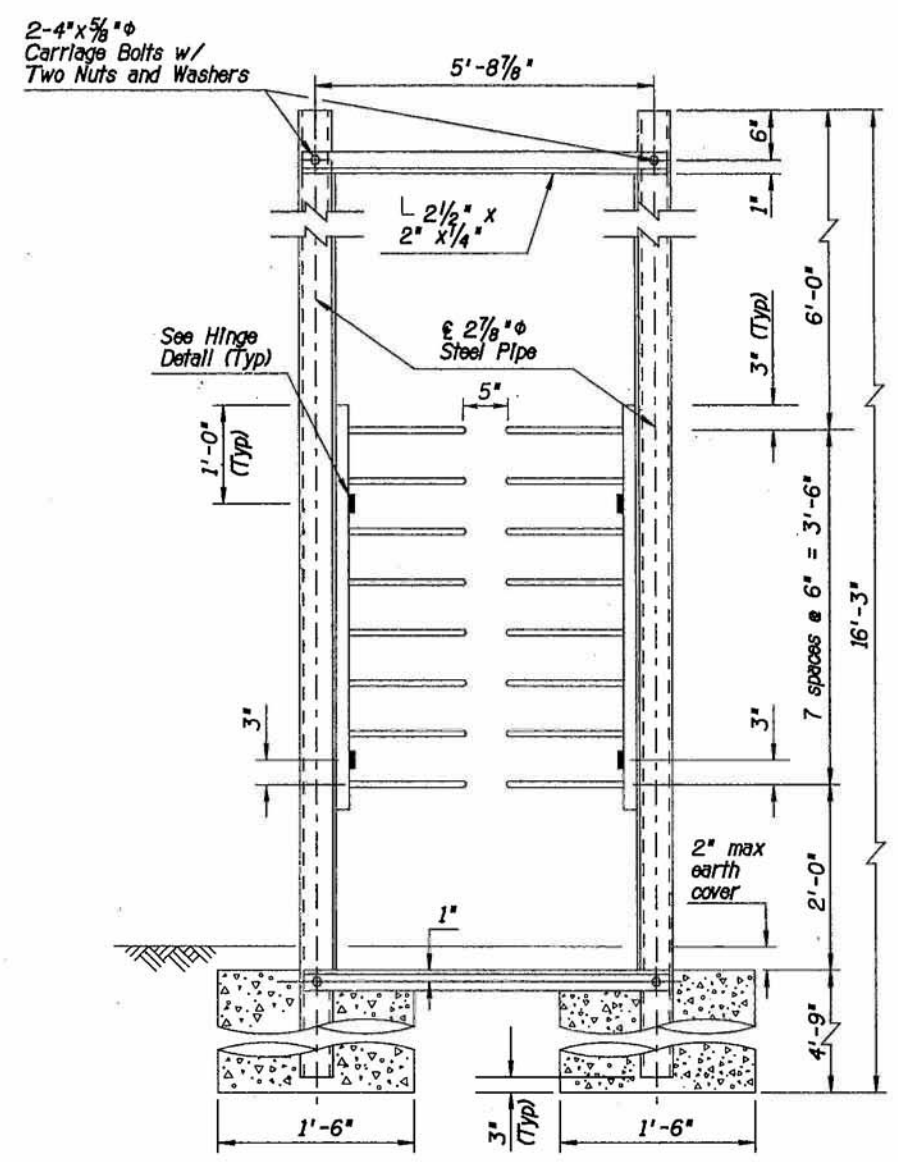
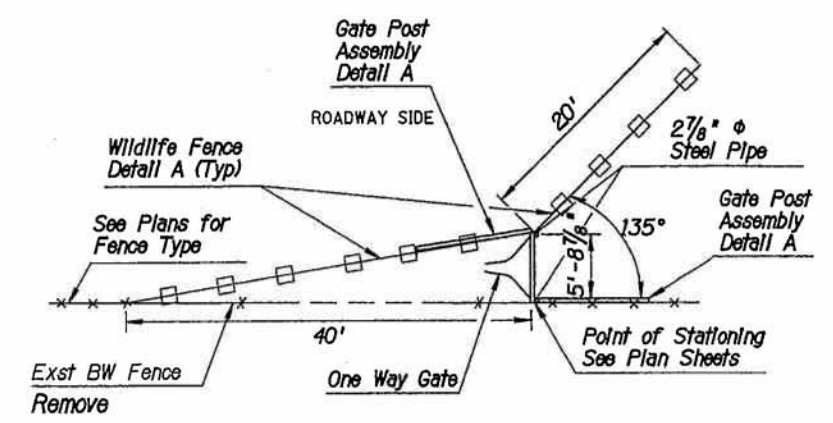
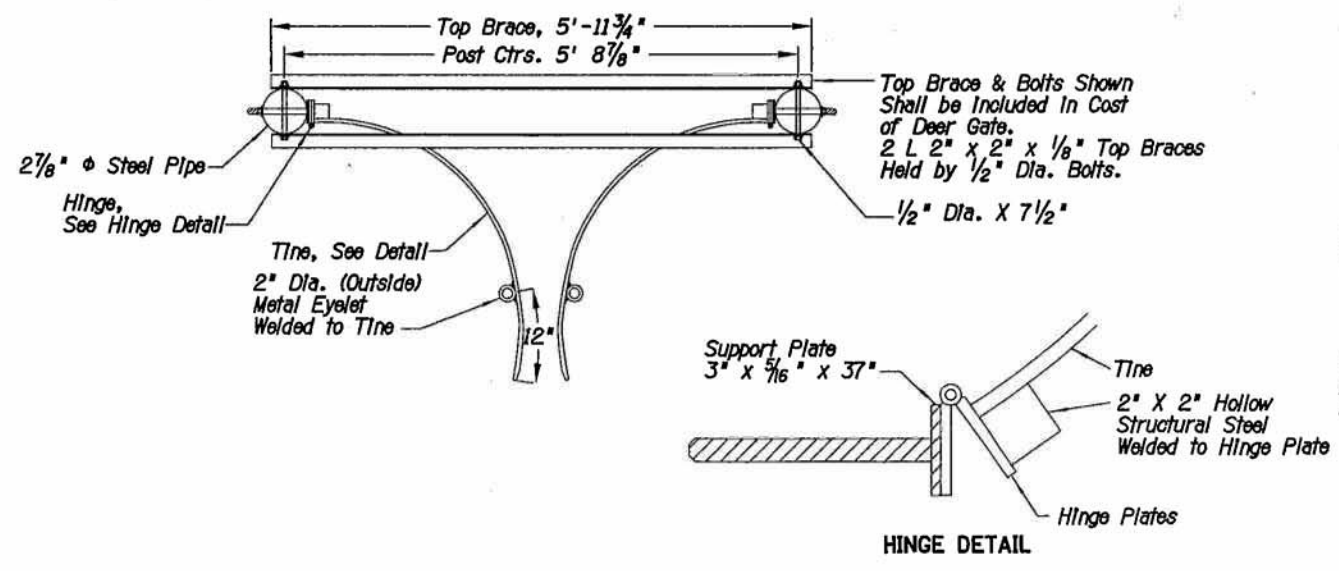


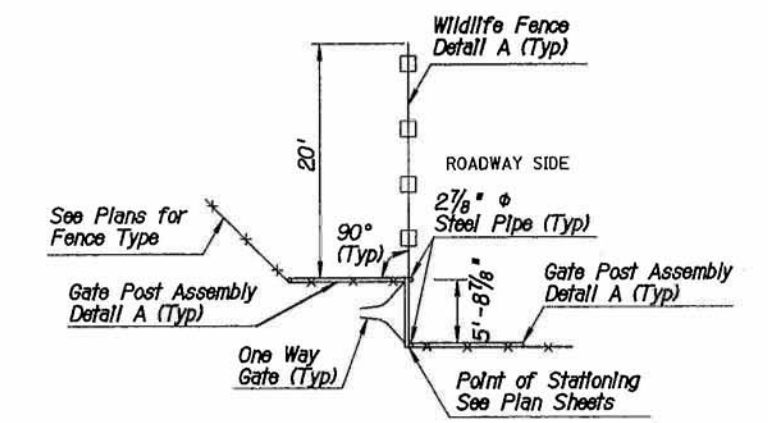
F.H.W.A. REGION	STATE	PROJECT NO.	SHEET NO.	TOTAL SHEETS	AS BUILT
9	ARIZ.	260-B(008)A	9	32	
260 GI 260					



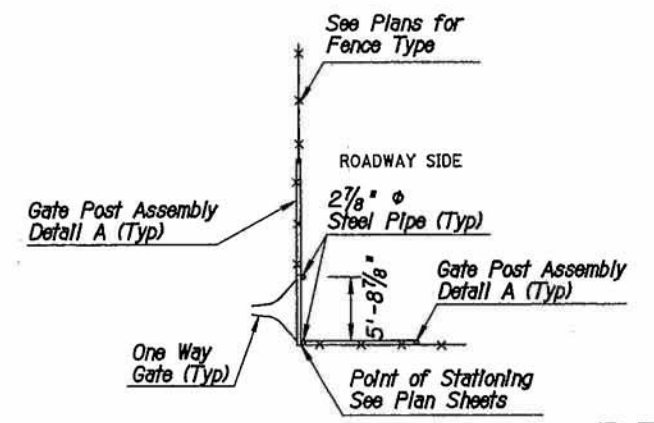
- NOTES**
1. All structural steel shall conform to (ASTM A-36M) except where noted otherwise and shall be galvanized in accordance with AASHTO M-111.
 2. Pipe specified shall conform to ASTM A-53 Grade B or A-501 and shall be permeon coated.
 3. 6" double acting spring door hinge with flat button tips out in two shall be used as a single swing hinge and be provided with a greasing nipple and welded to support plate.
 4. Tines shall be molded in one piece of steel (AASHTO M 169, Grade 1050), with no welds allowed.
 5. Deer gate and top braces shall be painted with green paint conforming to 708.03(a)3, and color no. 14109 of Federal Standard 5958.
 6. All bolts and nuts shall be in accordance with ASTM A-307.
 7. All welds shall be in accordance with American Welding Society (AWS) Structural Steel Welding Code AWS D1.1-80.



TYPICAL SINGLE GATE INSTALLATION



TYPICAL ANGLED INSTALLATION



TYPICAL RT ANGLE INSTALLATION

DETAIL A

WILDLIFE GATE

DESIGN	NAME	DATE	ARIZONA DEPARTMENT OF TRANSPORTATION INTERMODAL TRANSPORTATION DIVISION	PRELIMINARY
MAC	MAC	04-05	DETAIL SHEET DETAIL A	95% Review NOT FOR CONSTRUCTION OR RECORDING
HN	HN	04-05		
KJR	KJR	04-05		
ROUTE SR 260		LOCATION MP 260-263 Wildlife Fencing		SHEET 1 OF 1
TRACS NO. H6611 01 C			260-B(008)A	OF