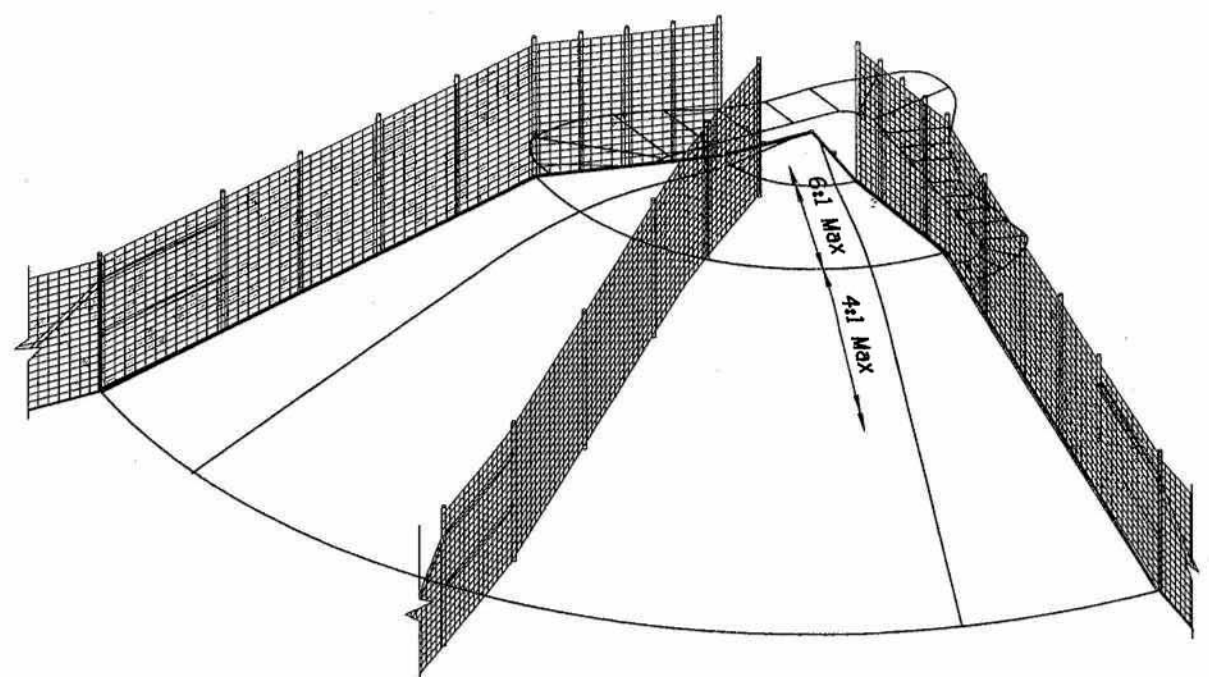
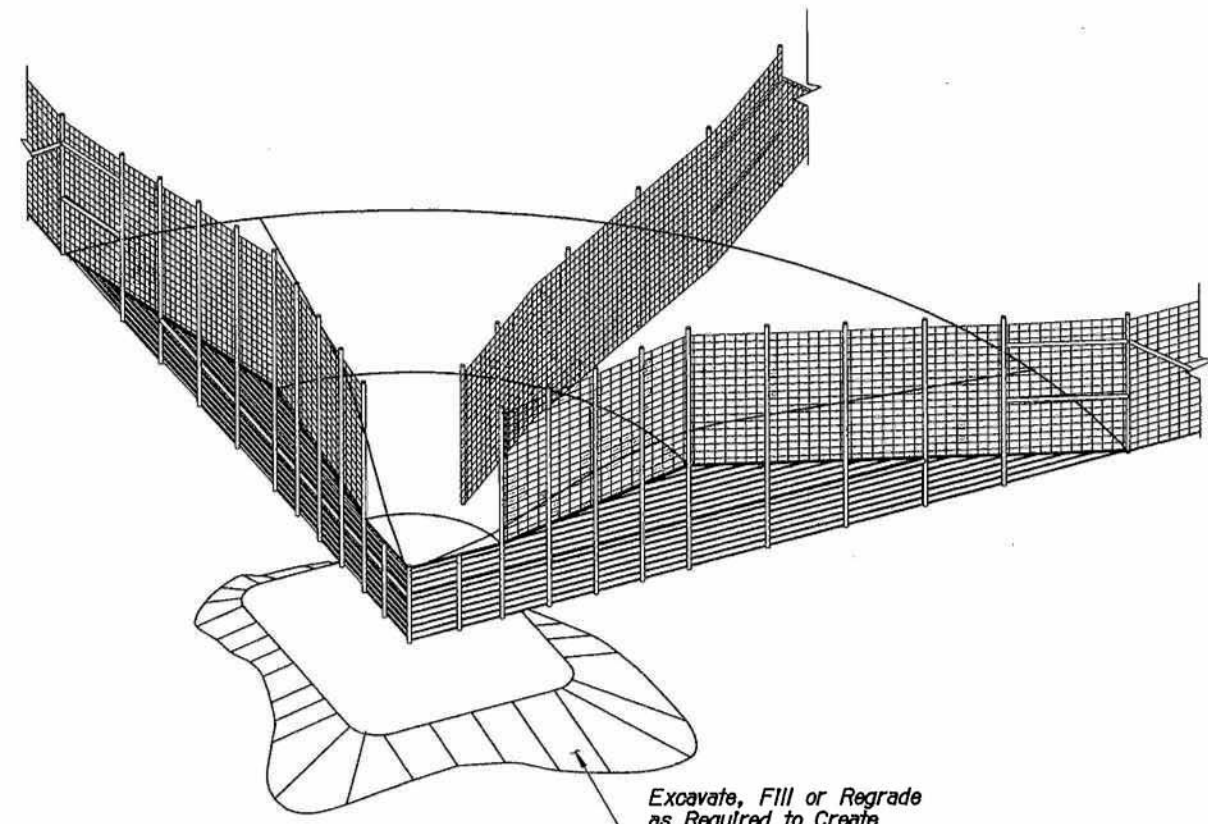


NO.	DESCRIPTION OF REVISIONS	MADE BY	DATE

F.H.W.A. REGION	STATE	PROJECT NO.	SHEET NO.	TOTAL SHEETS	AS BUILT
9	ARIZ.	260-B(008)A	8	32	
260 GI 260					



TYPE 2 PERSPECTIVE

# DETAIL C

## WILDLIFE RAMP

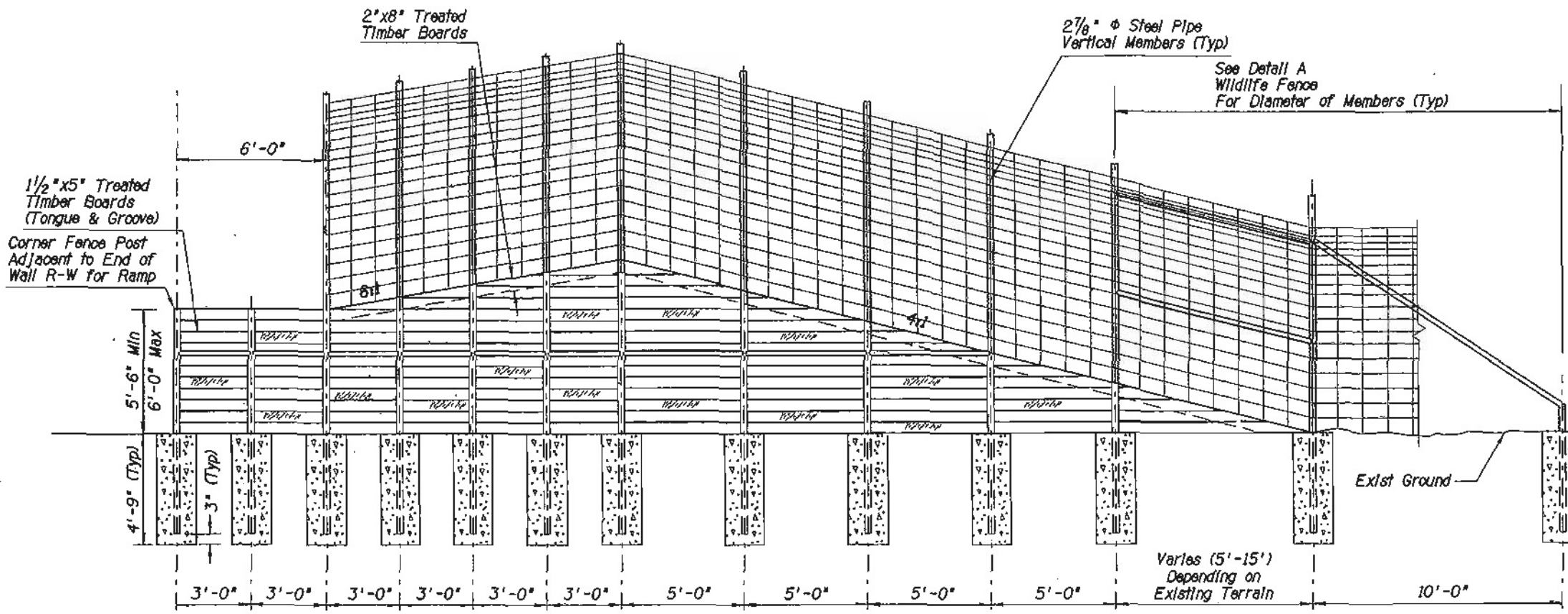
DESIGN	MAC	DATE	04-05	ARIZONA DEPARTMENT OF TRANSPORTATION INTERMODAL TRANSPORTATION DIVISION	PRELIMINARY <b>95%</b> Review NOT FOR CONSTRUCTION OR RECORDING
DRAWN	HN	DATE	04-05		
CHECKED	KJR	DATE	04-05		
<b>AZTEC</b>		4511 E. McDowell Road Phoenix, AZ 85008-4505 Tel: (602) 494-0400 Fax: (602) 494-0403 www.azteccorp.com		DETAIL SHEET DETAIL C	
ROUTE	SR 260	LOCATION	MP 260-263 Wildlife Fencing		
TRACS NO. H6611 01 C			260-B(008)A		OF

DATE-  
LOCATION-  
REVISIONS-  
FINISHED PLANS-  
SURVEY NO.

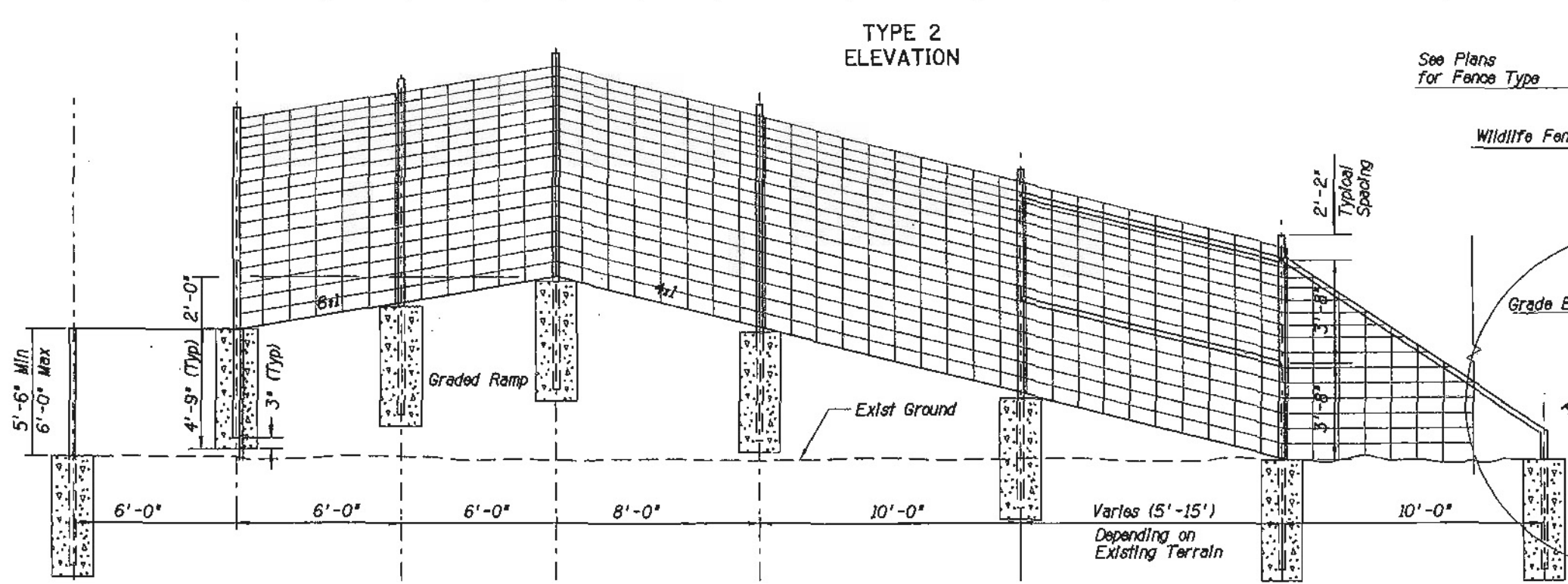
F.H.W.A. REGION	STATE	PROJECT NO.	SHEET NO.	TOTAL SHEETS	AS BUILT
9	ARIZ.	260-B(008)A	732		

260 G1 260

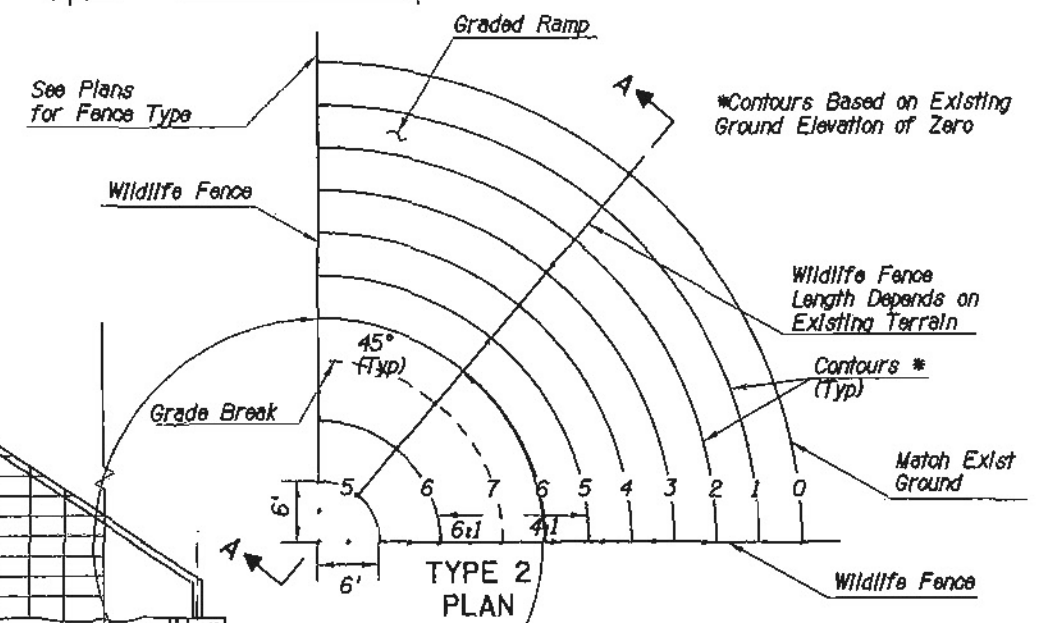
## TYPE 2 CORNER INSTALLATION



TYPE 2  
ELEVATION



TYPE 2  
SECTION A-A



## DETAIL C

WILDLIFE CORNER RAMP

DESIGN	NAME	DATE	ARIZONA DEPARTMENT OF TRANSPORTATION INTERMODAL TRANSPORTATION DIVISION	PRELIMINARY
DESIGN	MAC	04-05		95%
DRAWN	HN	04-05		Review
CHECKED	KJR	04-05		NOT FOR CONSTRUCTION OR RECORDING
			DETAIL SHEET DETAIL C	
ROUTE	LOCATION	MP 260-263 Wildlife Fencing		
SR 260				
TRACS NO. H6611 01 C		260-B(008)A		OF