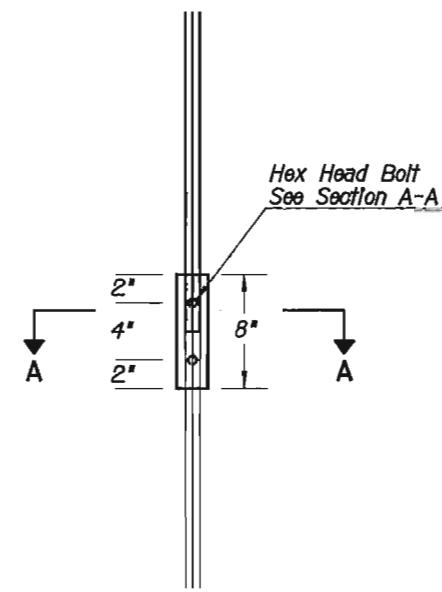
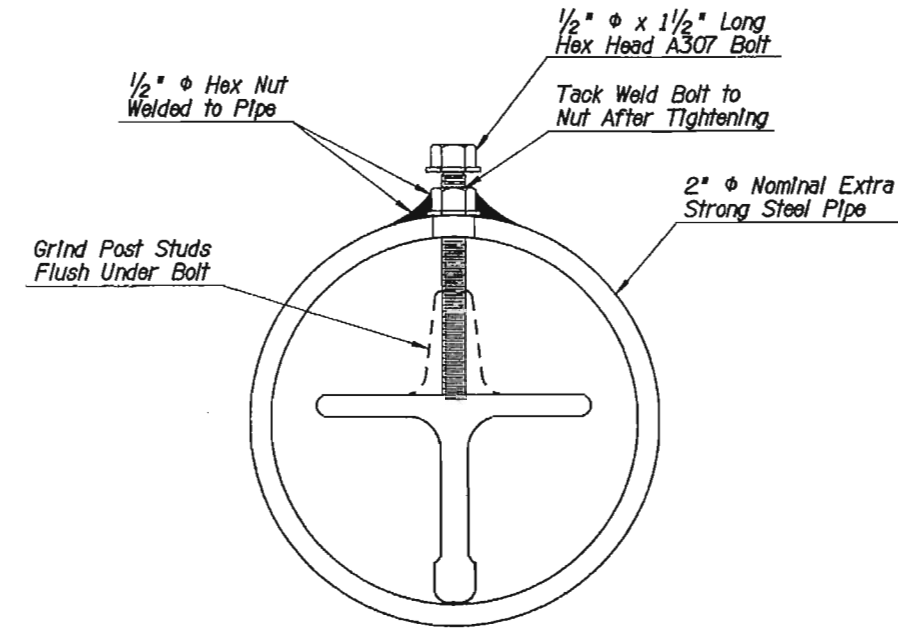


NO.	DESCRIPTION OF REVISIONS	DATE

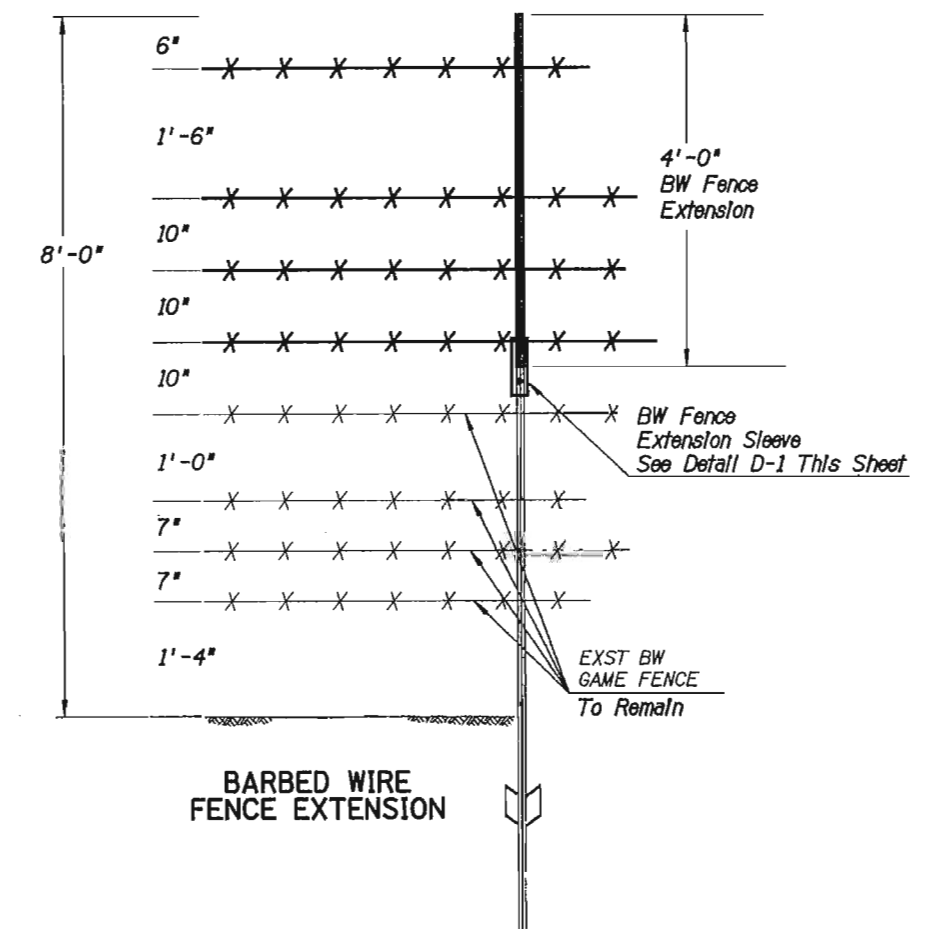
COUNTY-REGION	STATE	PROJECT NO.	SHEET NO.	TOTAL SHEETS	AS BUILT
9	ARIZ.	260-B(008)A	11	32	
260 GI 260					



DETAIL D-1
BW FENCE
EXTENSION SLEEVE



SECTION A-A
No Scale
BW FENCE EXTENSION
SLEEVE CROSS SECTION



BARBED WIRE
FENCE EXTENSION

DETAIL D

BW FENCE EXTENSION

DATE: _____ LOCATION: _____ REVISIONS: _____ FINISHED PLANS: _____ SURVEY NO. _____

DESIGN	NAME	DATE	ARIZONA DEPARTMENT OF TRANSPORTATION INTERMODAL TRANSPORTATION DIVISION	PRELIMINARY 95% Review NOT FOR CONSTRUCTION OR RECORDING
MAC	MAC	04-05		
HN	HN	04-05		
KJR	KJR	04-05	DETAIL SHEET DETAIL D	
ROUTE	LOCATION	SR 260 MP 260-263 Wildlife Fencing		
TRACS NO. H6611 01 C			260-B(008)A	OF