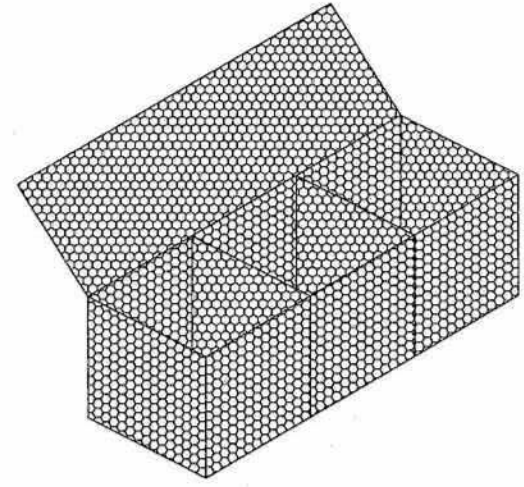
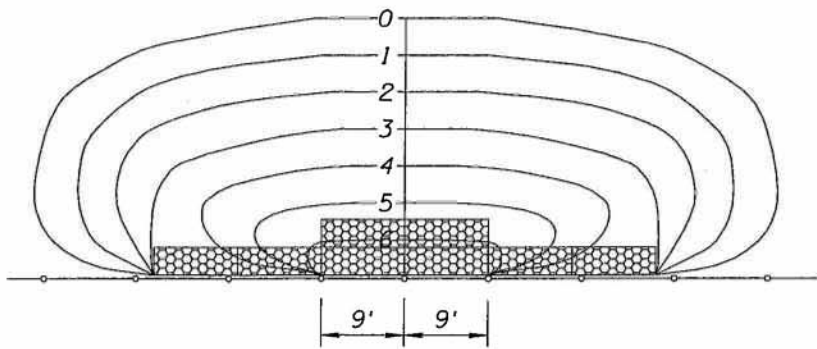
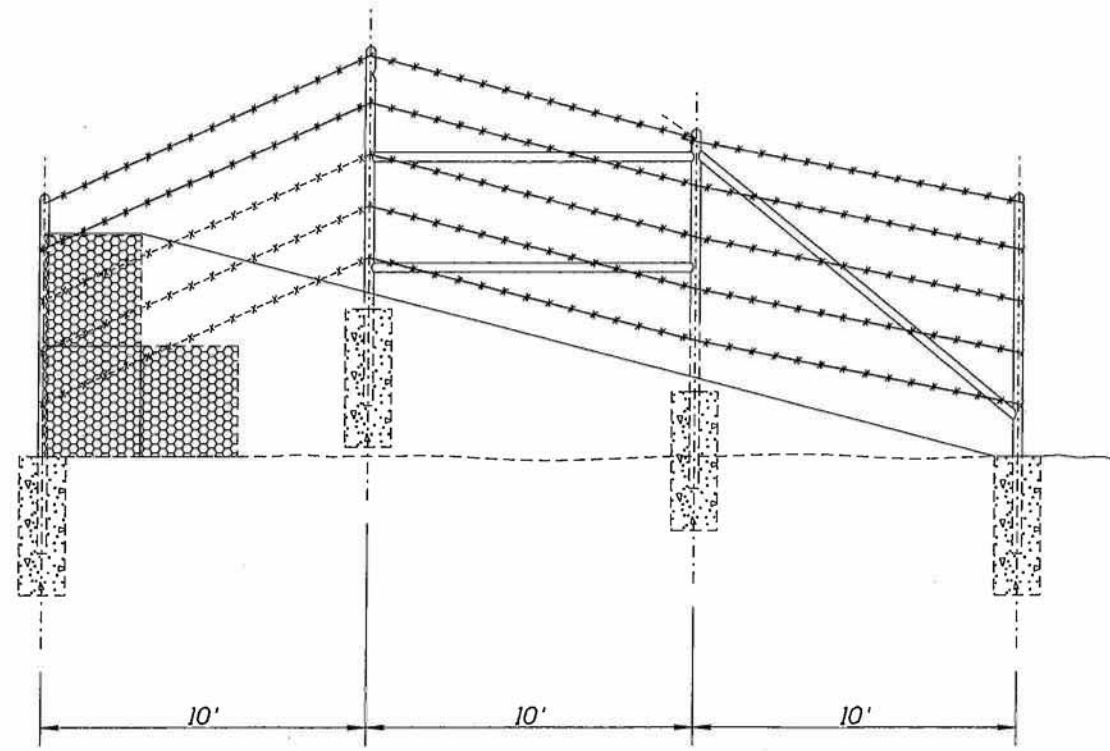
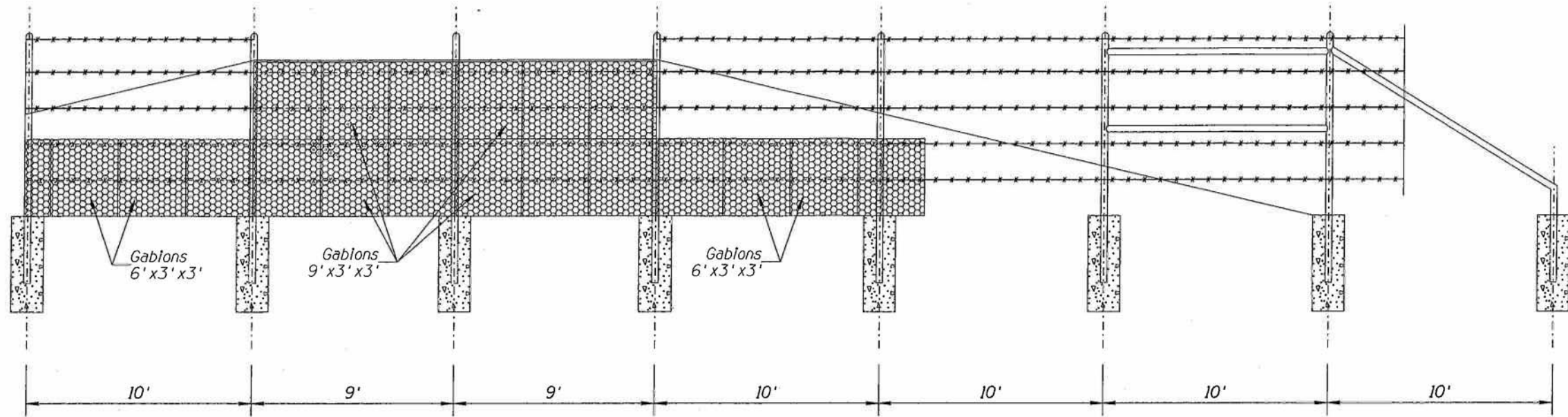


F.H.W.A. REGION	STATE	PROJECT NO.	SHEET NO.	TOTAL SHEETS	AS BUILT
9	ARIZ.	017-			
017 CO 317					



DETAIL E

DESIGN	NAME	DATE	ARIZONA DEPARTMENT OF TRANSPORTATION INTERMODAL TRANSPORTATION DIVISION
DRAWN	SMD	06/09	
CHECKED	EAA	06/09	
	DDK	06/09	
ROUTE	LOCATION		
I-17	I-17 WILDLIFE FENCE RETROFIT		
TRACS NO.	H 7740 OIC	017-	DWG NO. <u> </u> OF <u> </u>

SURVEY NO. FINISHED PLANS REVISIONS LOCATION DATE FINISHED PLANS REVISIONS LOCATION DATE FINISHED PLANS REVISIONS LOCATION DATE