

DETAIL F

RECOMMENDED SPECIFICATIONS FOR DESERT TORTOISE EXCLUSION FENCING

September 2005

These specifications were developed to standardize fence materials and construction procedures to confine tortoises or exclude them from harmful situations, primarily roads and highways. Prior to commencing any field work, all field workers should comply with all stipulations and measures developed by the jurisdictional land manager and the U.S. Fish and Wildlife Service for conducting such activities in desert tortoise habitat, which will include, at a minimum, completing a desert tortoise education program.

FENCE CONSTRUCTION

Materials

Fences should be constructed with durable materials (*i.e.*, 16 gauge or heavier) suitable to resist desert environments, alkaline and acidic soils, wind, and erosion. Fence material should consist of 1-inch horizontal by 2-inch vertical, galvanized welded wire, 36 inches in width. Other materials include: Hog rings, steel T-posts, and smooth or barbed livestock wire. Hog rings should be used to attach the fence material to existing strand fence. Steel T-posts (5 to 6-foot) are used for new fence construction. If fence is constructed within the range of bighorn sheep, 6-foot T-posts should be used (see New Fence Construction below). Standard smooth livestock wire fencing should be used for new fence construction, on which tortoise-proof fencing would be attached.

Retrofitting Existing Livestock Fence

Option 1 (see enclosed drawing). Fence material should be buried a minimum of 12 inches below the ground surface, leaving 22-24 inches above ground. A trench should be dug or a cut made with a blade on heavy equipment to allow 12 inches of fence to be buried below the natural level of the ground. The top end of the tortoise fence should be secured to the livestock wire with hog rings at 12 to 18-inch intervals. Distances between T-posts should not exceed 10 feet, unless the tortoise fence is being attached to an existing right-of-way fence that has larger interspaces between posts. The fence must be perpendicular to the ground surface, or slightly angled away from the road, towards the side encountered by tortoises. After the fence has been installed and secured to the top wire and T-posts, excavated soil will be replaced and compacted to minimize soil erosion.

Option 2 (see enclosed drawing). In situations where burying the fence is not practical because of rocky or undigable substrate, the fence material should be bent at a 90° angle to produce a lower section approximately 14 inches wide which will be placed parallel to, and in direct contact with, the ground surface; the remaining 22-inch wide upper section should be placed vertically against the existing fence, perpendicular to the ground and attached to the existing fence with hog rings at 12 to 18-inch intervals. The lower section in contact with the ground should be placed within the enclosure in the direction of potential tortoise encounters and level with the ground surface. Soil and cobble (approximately 2 to 4 inches in diameter; can use larger rocks where soil is shallow) should be placed on top of the lower section of fence material

on the ground covering it with up to 4 inches of material, leaving a minimum of 18 inches of open space between the cobble surface and the top of the tortoise-proof fence. Care should be taken to ensure that the fence material parallel to the ground surface is adequately covered and is flush with the ground surface.

New Fence Construction

Options 1 or 2 should be followed except in areas that require special construction and engineering such as wash-out sections (see below). T-posts should be driven approximately 24 inches below the ground surface spaced approximately 10 feet apart. Livestock wire should be stretched between the T-posts, 18 to 24 inches above the ground to match the top edge of the fence material; desert tortoise-proof fencing should be attached to this wire with hog rings placed at 12 to 18-inch intervals. Smooth (barb-less) livestock wire should be used except where grazing occurs.

If fence is constructed within the range of bighorn sheep, two smooth-strand wires are required at the top of the T-post, approximately 4 inches apart, to make the wire(s) more visible to sheep. A 20 to 24-inch gap must exist between the top of the fence material and the lowest smooth-strand wire at the top of the T-post. The lower of the top two smooth-strand wires must be at least 43 inches above the ground surface.

(72-inch T-posts: 24 inches below ground + 18 inches of tortoise fence above ground + 20 to 24-inch gap to lower top wire + 4 inches to upper top wire = 66 to 70 inches).

INSPECTION OF DESERT TORTOISE BARRIERS

The risk level for a desert tortoise encountering a breach in the fence is greatest in the spring and fall, particularly around the time of precipitation including the period during which precipitation occurs and at least several days afterward. All desert tortoise fences and cattleguards should be inspected on a regular basis sufficient to maintain an effective barrier to tortoise movement. Inspections should be documented in writing and include any observations of entrapped animals; repairs needed including bent T-posts, leaning or non-perpendicular fencing, cuts, breaks, and gaps; cattleguards without escape paths for tortoises or needed maintenance; tortoises and tortoise burrows including carcasses; and recommendations for supplies and equipment needed to complete repairs and maintenance.

All fence and cattleguard inventories should be inspected at least twice per year. However, during the first 2 to 3 years all inspections will be conducted quarterly at a minimum, to identify and document breaches, and problem areas such as wash-outs, vandalism, and cattleguards that fill-in with soil or gravel. GPS coordinates and mileages from existing highway markers should be recorded in order to pinpoint problem locations and build a database of problem locations that may require more frequent checking. Following 2 to 3 years of initial inspection, subsequent inspections should focus on known problem areas which will be inspected more frequently than twice per year. In addition to semi-annual inspections, problem areas prone to wash-outs should

be inspected following precipitation that produces potentially fence-damaging water flow. A database of problem areas will be established whereby checking fences in such areas can be done efficiently.

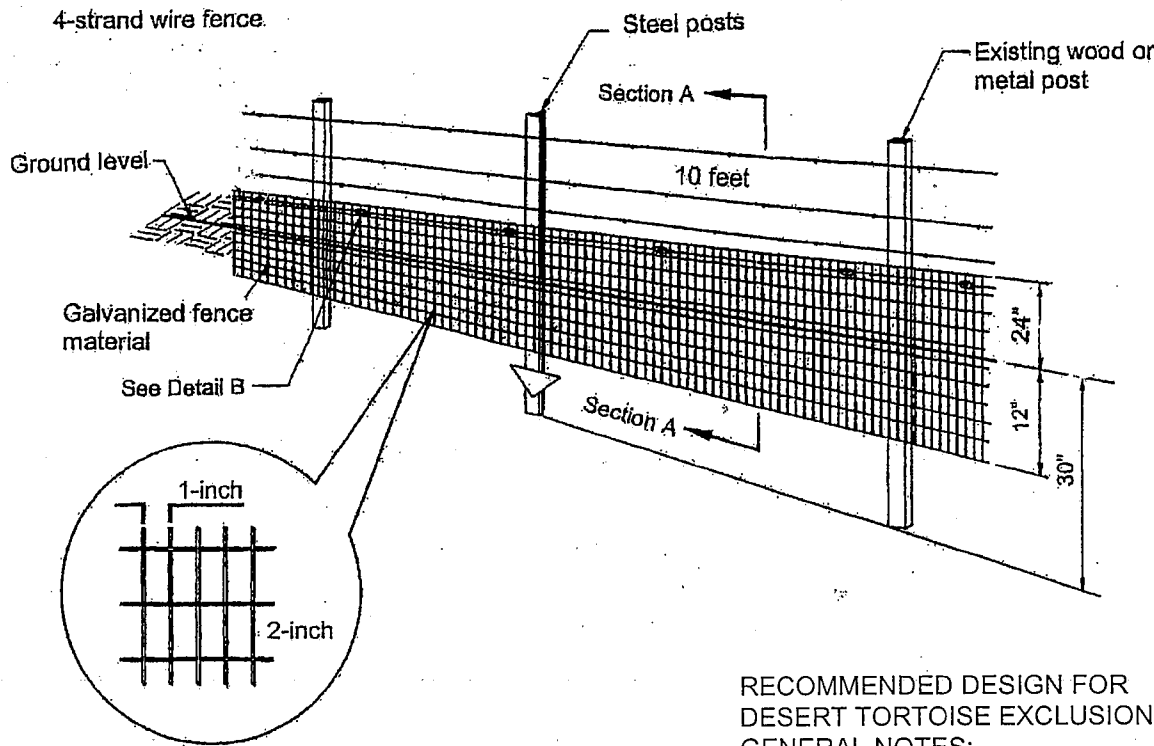
REPAIR AND MAINTENANCE OF DESERT TORTOISE BARRIERS

Repairs of fence wash-outs: (1) realign the fence out of the wash if possible to avoid the problem area, or (2) re-construct tortoise-proof fencing using techniques that will ensure that an effective desert tortoise barrier is established that will not require frequent repairs and maintenance.

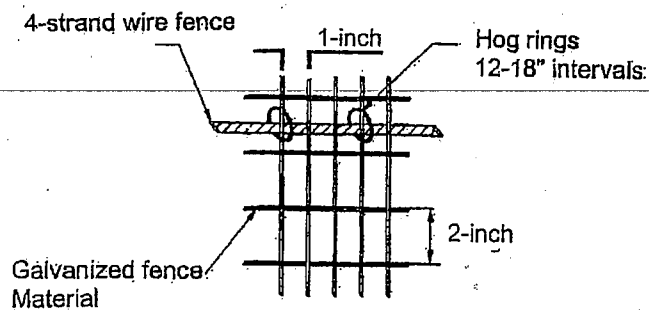
Gaps and breaks will require either: (a) repairs to the existing fence in place, with similar diameter and composition of original material, (b) replacement of the damaged section to the nearest T-post, with new fence material that original fence standards, (c) burying fence, and/or (d) restoring zero ground clearance by filling in gaps or holes under the fence and replacing cobble over fence constructed under Option 2. Tortoise-proof fencing should be constructed and maintained at cattleguards to ensure that a desert tortoise barrier exists at all times.

All fence damage should be repaired in a timely manner to ensure that tortoises do not travel through damaged sections. Similarly, cattleguards will be cleaned out of deposited material underneath them in a timely manner. In addition to periodic inspections, debris should be removed that accumulates along the fence. All cattleguards that serve as tortoise barriers should be installed and maintained to ensure that any tortoise that falls underneath has a path of escape without crossing the intended barrier.

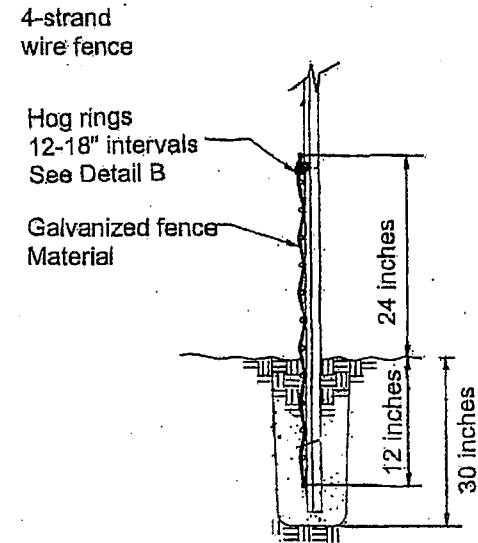
DESERT TORTOISE EXCLUSION FENCE (2005)



DETAIL A



DETAIL B



SECTION A

RECOMMENDED DESIGN FOR DESERT TORTOISE EXCLUSION FENCE GENERAL NOTES:

1. Ensure that fence posts and materials conform to the standards approved by the U.S. Fish and Wildlife Service.
2. Ensure that the height above ground level is no less than 18 inches and no higher than 24 inches.
3. Ensure that the depth of fence material below ground level is about 12 inches but no less than 6 inches. (See SECTION A above)
4. Install additional steel posts when span between existing fence posts exceed 10 feet.
5. Attach fence material to existing fence or wire using hog rings at 12-inch intervals.
6. Fasten fence material to posts with 3 tie wires with a wire near the top, bottom, and center of the fence material.
7. Backfill trenches with excavated material and compact the material.
8. Attach fence material to all gates. Ensure that clearance at base of gate achieves zero ground clearance.
9. Substitute smooth wire for barbed wire if additional support wires are necessary.
10. The number and placement of support wires may be modified to allow sheep and deer to pass safely.
11. Erosion at the edge of the fence material where the fence crosses washes may occur and requires appropriate and timely monitoring and repair.
12. Tie the fence into existing culverts and cattleguards when determined necessary to allow desert tortoise passage underneath roadways.

FOR BEDROCK OR CALICHE SUBSTRATE

1. Use this fence design (see below) only for that portion of the fence where fence material cannot be placed 6 inches below existing ground level due to presence of bedrock, large rocks or caliche substrate.
2. Ensure that the fence height above ground level is no less than 22 inches.
3. Ensure that there is a zero to 2-inch ground clearance at the bend.
4. Ensure that the bent portion of the fence is lying on the ground and pointed in the direction of desert tortoise habitat.
5. Cover the portion of the fence that is flush with the ground with cobble (rocks placed on top of the fence material to a vertical thickness up to 4 inches).
6. When substrate no longer is composed of bedrock or caliche, install fence using design shown above.

