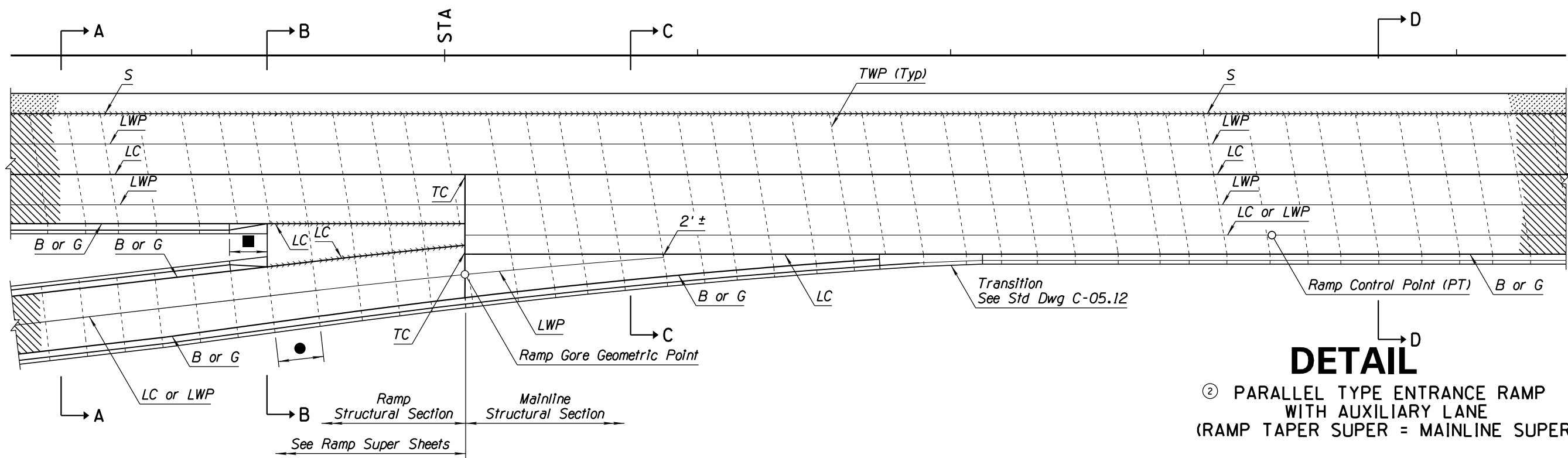
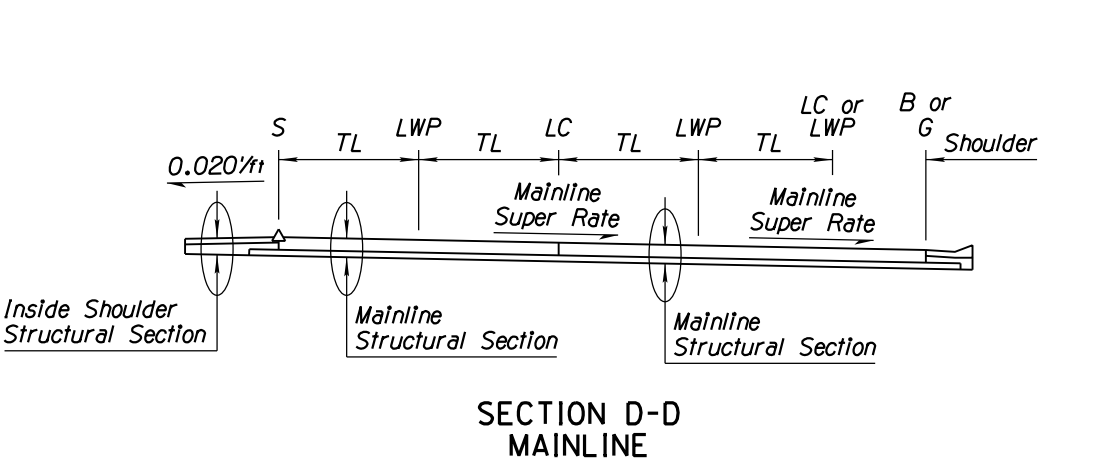
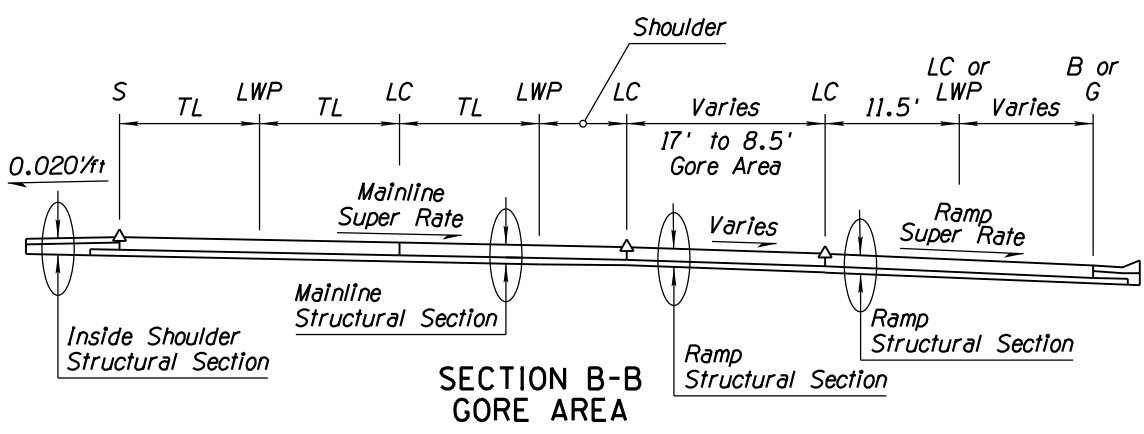
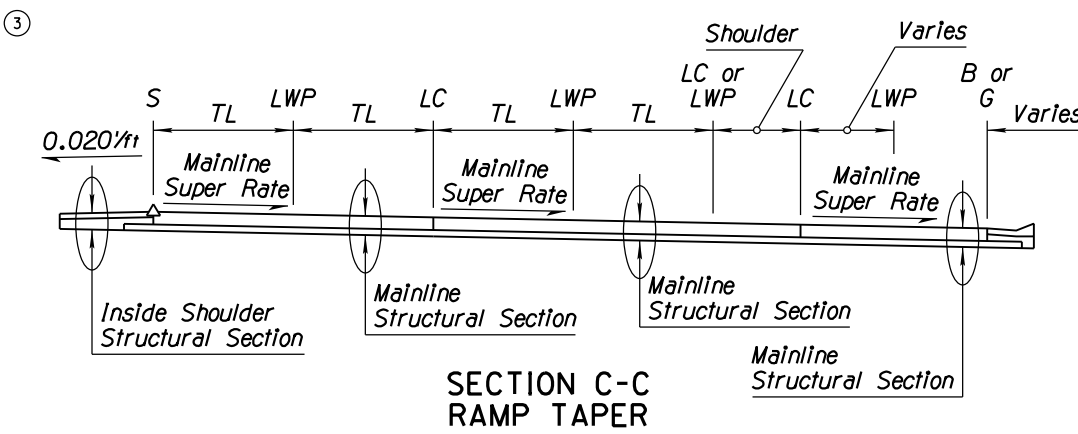
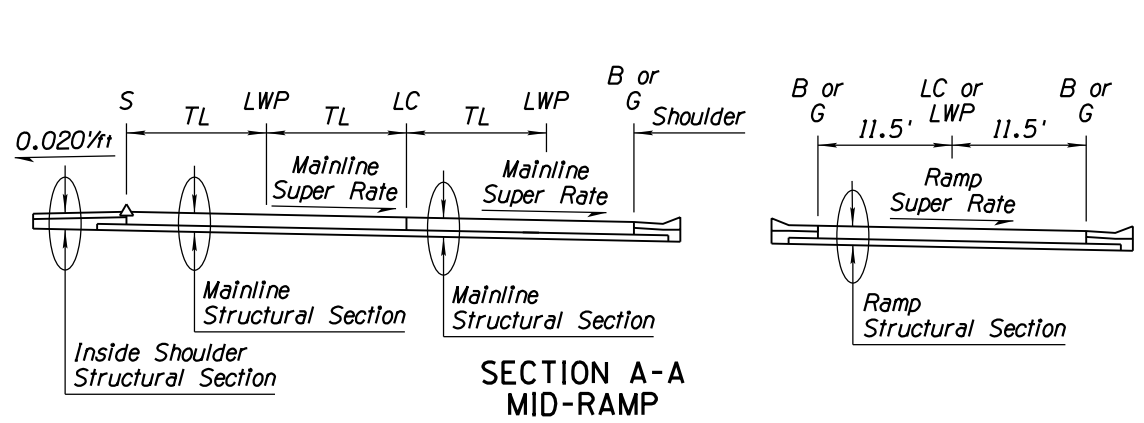


Date: 10/30/06

Note to Designer: The information presented in this Roadway Plans Detail is for general use. Designers should satisfy themselves that their project site conditions are appropriate for use of this drawing. Contents within the inner border shall not be altered, except for the addition of the Detail designation.

NO	DESCRIPTION OF REVISIONS	MADE BY	DATE
1	ADDED GENERAL NOTES	RLF	7/05
2	REVISED LEGEND AND DRAWING TITLE	RLF	7/05
3	MOVED DRAWING TEXT DESCRIPTION OFF DRAWING	RLF	7/05
4	REVISED NOTE TO DESIGNER	RLF	10/06



F.H.W.A. REGION	STATE	PROJECT NO.	SHEET NO.	TOTAL SHEETS	RECORD DRAWING
9	ARIZ.				

GENERAL NOTES

- All joint locations shown are typical. The actual paving pour plan with joint locations shall be based upon the project paving plan submitted by the contractor and approved by the Engineer in accordance with Subsection 401-3.01 of the Standard Specifications.
- See Std Dwg C-07.01 for joint Information.
- See plans for ramp dimensions.
- For ramp joint spacing sequence, see Std Dwg C-07.04, Sheet 4 of 5.
- LC and LWP joints shall be located on the edge of traffic lanes unless otherwise shown on the project plans.

PARALLEL TYPE ENTRANCE RAMP WITH AUXILIARY LANE (RAMP TAPER SUPER = MAINLINE SUPER)

- TL Travel Lane
- △ Super Breakover Point (Cross Section)
- Super Breakover Point (Plan View)
- Curb Transition, See Std Dwg C-05.12
- Spacing Varies - 18' Maximum, 11' Minimum

DESIGN APPROVED Kenneth R. Cooper		ARIZONA DEPARTMENT OF TRANSPORTATION INFRASTRUCTURE DELIVERY AND OPERATIONS DIVISION ROADWAY GROUP PLANS DETAIL	
APPROVED FOR DISTRIBUTION J. C. Cooper			
ROUTE	LOCATION	SHEET	OF
TRACS NO.		OF	

NORMAL.TBL