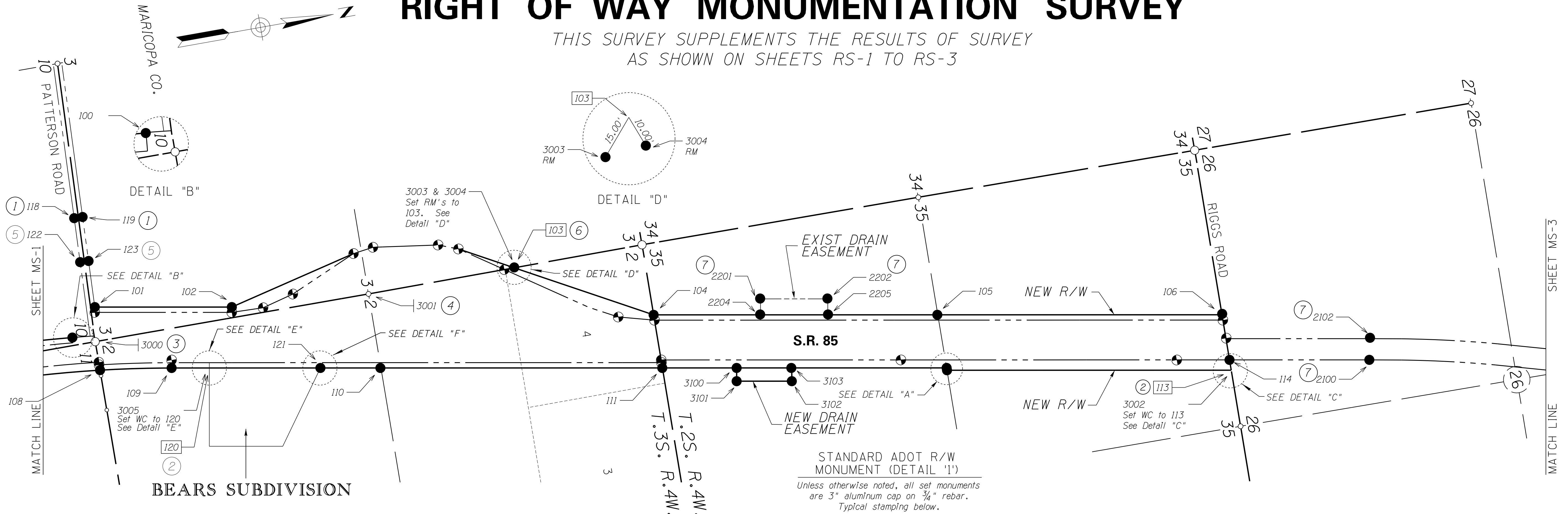


RIGHT OF WAY MONUMENTATION SURVEY

THIS SURVEY SUPPLEMENTS THE RESULTS OF SURVEY
AS SHOWN ON SHEETS RS-1 TO RS-3



MONUMENTATION LIST					
PT.	NORTHING	EASTING	DESCRIPTION	STATION	OFFSET
100	796856.32200	475554.09654	Set standard monument 1	6063+90.73	125.00' LT
101	797114.23000	475308.61544	Set standard monument 1	6066+01.76	396.11' LT
102	798385.71000	475534.34434	Set standard monument 1	6078+93.12	373.97' LT
103	801070.78293	475635.51586	(C)	6105+50.93	746.90' LT
104	802287.59511	476302.03716	Set standard monument 1	6118+69.13	300.00' LT
105	804924.92796	476770.24564	Set standard monument 1	6145+40.19	300.00' LT
106	807562.79268	477238.54853	Set standard monument 1	6172+26.81	300.00' LT
108	797059.24941	475902.34344	Set standard monument 1	6066+51.47	200.00' RT
109	797726.85426	475999.98851	Set standard monument 1	6073+25.81	200.00' RT
110	799669.26718	476344.85666	Set standard monument 1	6092+95.42	200.00' RT
111	802282.45311	476808.81801	Set standard monument 1	6119+53.48	200.00' RT
112	804919.25945	477276.97313	Set standard monument 1	6146+30.70	200.00' RT
113	807556.97404	477767.89332	(C)	6173+13.61	222.00' RT
114	807557.95200	477669.34300	Set standard monument 1	6172+91.46	125.00' RT
115	804919.00711	477299.53217	Set standard monument 1	6146+34.39	222.00' RT
118	797069.44939	474449.84145	Set Rebar w/cap	6064+07.54	1244.94' LT
119	797149.38194	474453.12589	Set Rebar w/cap	6064+86.82	1250.17' LT
120	798076.65570	476062.09445	(C)	6076+81.08	200.00' RT
121	799107.83824	476245.17705	Set standard monument 1	6087+28.24	200.00' RT
122	797052.28595	474867.54382	Set standard monument 1	6065+21.28	827.72' LT
123	797132.21850	474870.82825	Set standard monument 1	6065+95.70	833.13' LT
2100	808860.14548	477900.70526	Set standard monument 1	6186+19.96	125.00' RT
2102	808895.13200	477703.79000	Set standard monument 1	6186+19.96	75.00' LT
2201	803306.58081	476330.66303	Set standard monument 2	6128+78.00	450.00' LT
2202	803917.03702	476439.02946	Set standard monument 2	6134+98.00	450.00' LT
2204	803280.36325	476478.35415	Set standard monument 2	6128+78.00	300.00' LT
2205	803890.81937	476586.72042	Set standard monument 2	6134+98.00	300.00' LT
3000	797060.76589	475630.15632	See note 3	---	---
3001	799675.93097	475637.96133	See note 4	---	---
3002	807557.14113	477752.68840	Set WC monument	---	---
3003	801059.52383	475645.44390	Set RM monuments	---	---
3004	801076.22735	475643.90329	Set RM monuments	---	---
3005	798071.73269	476061.22039	Set WC monument	---	---
3100	802971.67783	476931.16718	Set standard monument 2	6126+53.00	200.00' RT
3101	802936.72091	477128.08847	Set standard monument 2	6126+53.00	400.00' RT
3102	803448.71648	477218.97635	Set standard monument 2	6131+73.00	400.00' RT
3103	803483.67332	477022.05503	Set standard monument 2	6131+73.00	200.00' RT

- ① 1/2" Rebar w/ plastic cap PLS #19817 set for final R/W Monument. Standard ADOT R/W monument NOT to be set at this location.
- ② Unable to set. Set witness corner monument.
- ③ Fd. ADOT alum. cap in handhole as set by contractor. New monument is in different location than the former brass cap in handhole shown on sheet RS-2, point #1102.
- ④ Fd. ADOT alum. cap flush in conc. as set by contractor. New monument location is within tolerance (as defined by the current Arizona Boundary Survey Minimum Standards) of the calculated location of point #711 on sheet RS-2.
- ⑤ Monuments set at access control limits.
- ⑥ Unable to set. Set reference monuments.
- ⑦ Set in Oct. 2005 during R/W Staking Phase.

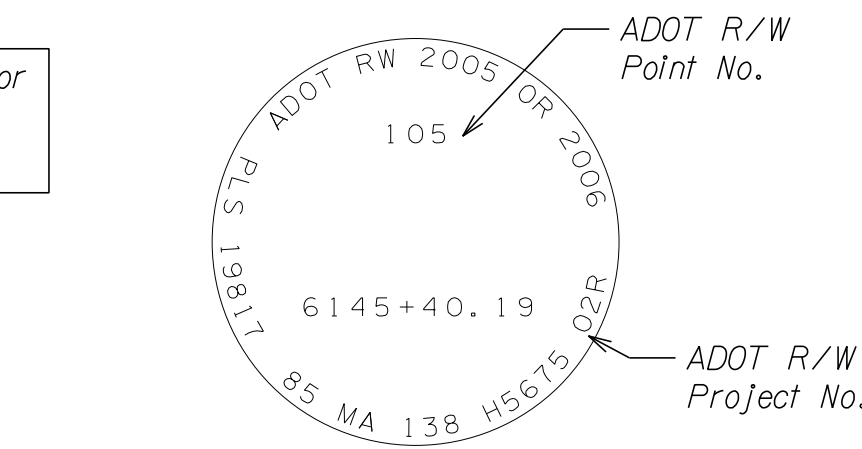
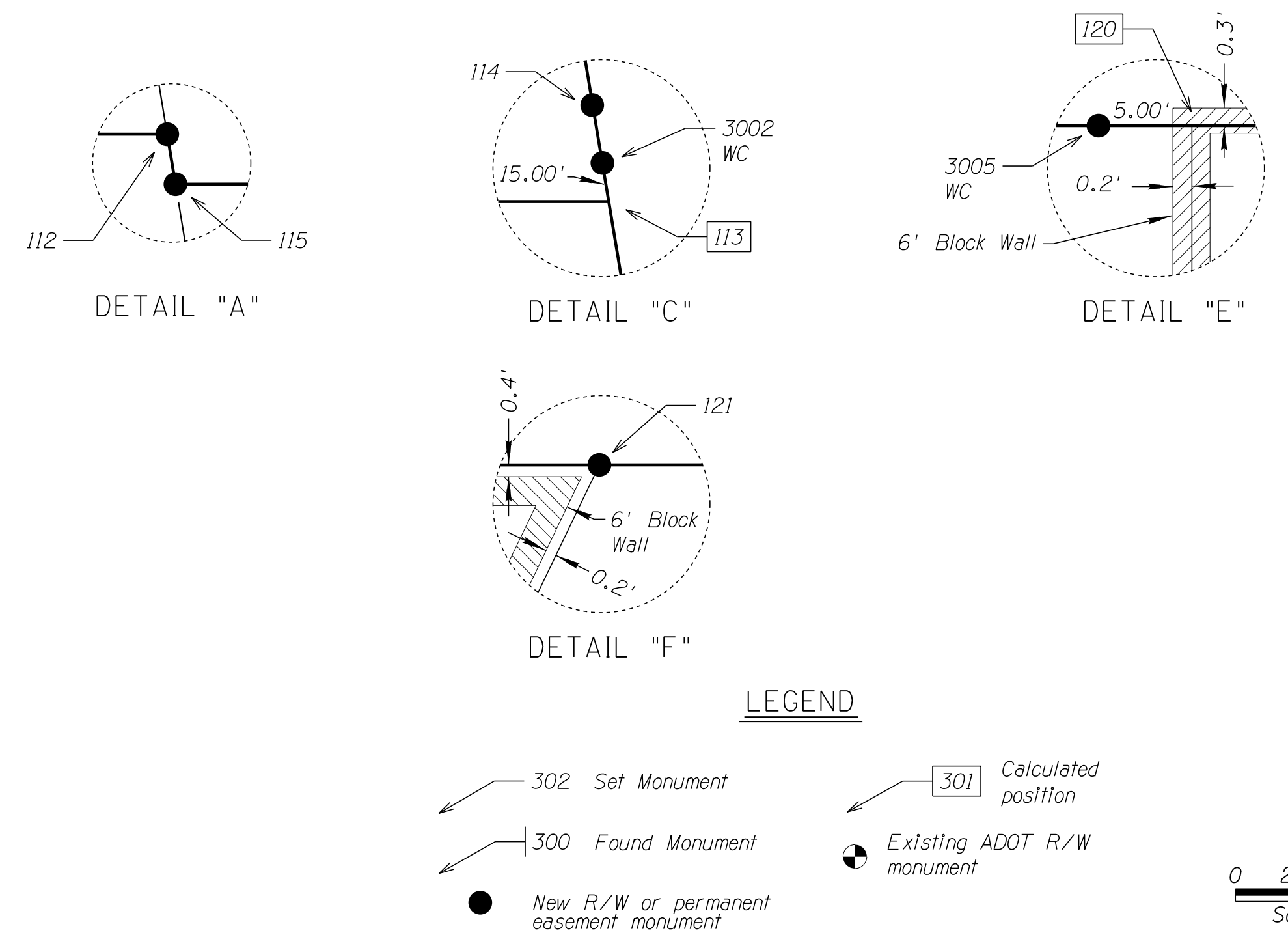


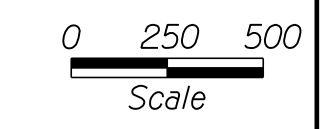
EXHIBIT-F11

ADOT CADD STANDARDS 2016



CHANGE ORDER REVISIONS				DRAWING NO.	ARIZONA DEPARTMENT OF TRANSPORTATION INFRASTRUCTURE DELIVERY AND OPERATIONS RIGHT OF WAY PLANS SECTION	
C.O. NO.	DATE	BY	DESCRIPTION OF REVISIONS	D-7-T-940	HIGHWAY NAME: GILA BEND - BUCKEYE	
				SURVEY	Sep. 2006	FEDERAL AID NO.:
				DRAWN/DATE	J. Crume/Sep 06	S 085-B-701
				ADOT REVIEW	B. Gurney	PROJECT NO.:
						085 MA 138 H5675 02R
				ROUTE NO.:	LOCATION:	
				S.R. 85	Lewis Prison - Gila River	

REFER TO THE RESULTS OF SURVEY AND R/W PLANS FOR THE BASIS OF STATIONING.



Scale

...exhibitf11_rs06.dgn

PRELIMINARY
NOT FOR
CONSTRUCTION
OR RECORDING
--Created--
12/13/16
12:20:25 PM

SHEET MS-2