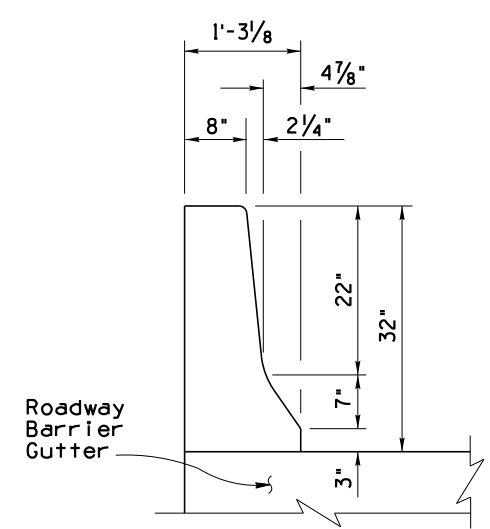
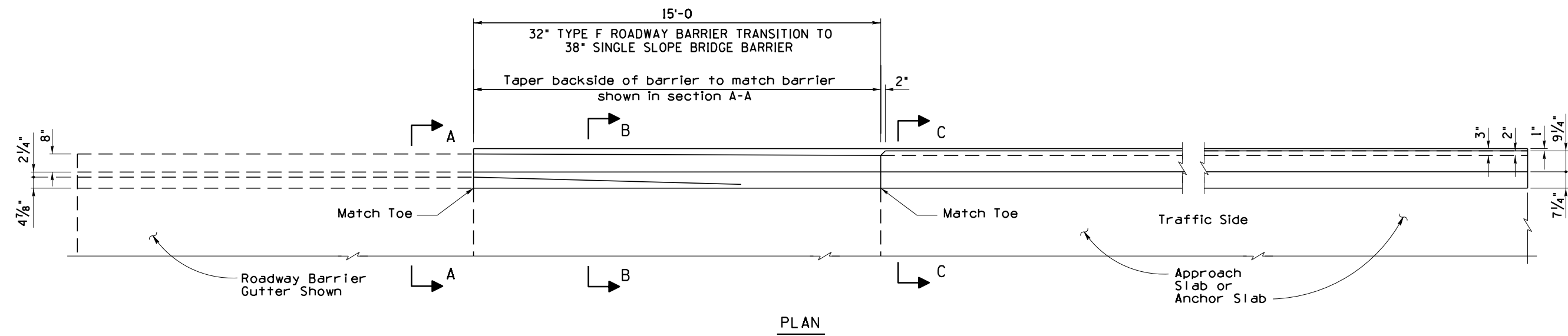
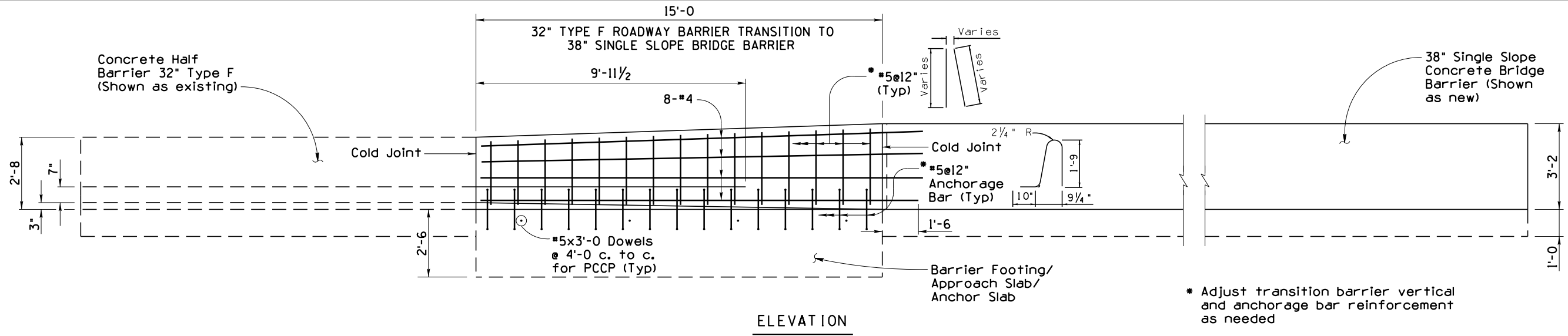
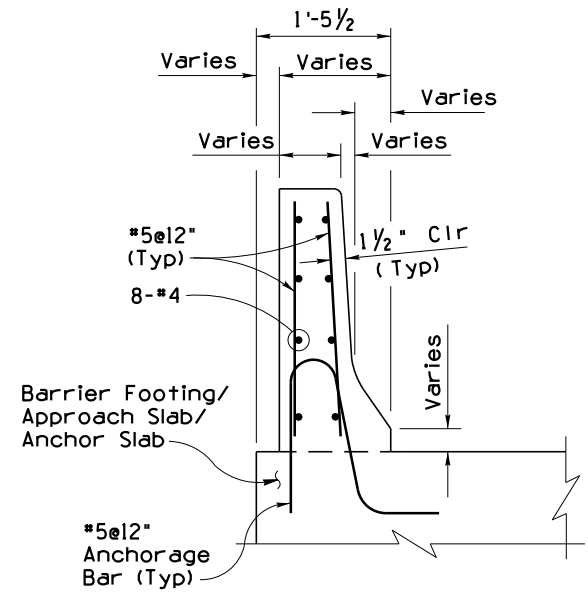


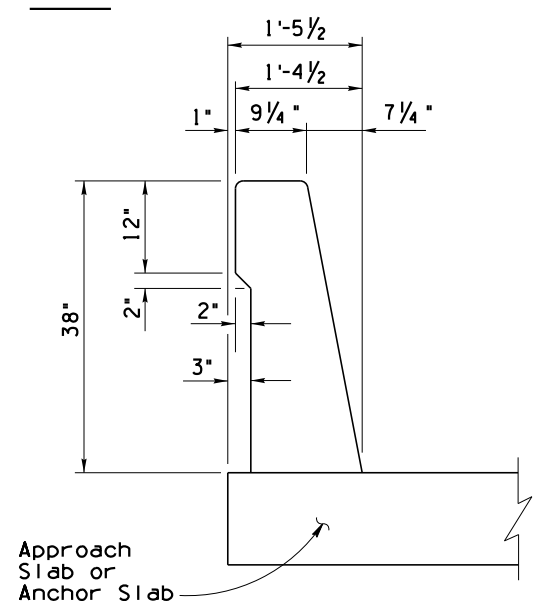
Note to Designer: The information presented in this Standard Drawing has been prepared in accordance with recognized engineering principles and is for general use. It should not be used for specific application without competent professional examination and verification of its suitability and applicability by a licensed professional engineer. Contents within the inner border line shall not be altered.



SECTION A-A
See Roadway Standards for reinforcement



SECTION B-B



SECTION C-C
See SD I.10 (1 of 2) for reinforcement

Item	32" Type F Roadway Barrier Transition To 38" Single Slope Bridge Barrier
Item No.	6011142
Measurement	Linear Foot

STANDARDS ENGINEER A. ALZUBI	ARIZONA DEPARTMENT OF TRANSPORTATION INFRASTRUCTURE DELIVERY AND OPERATIONS DIVISION BRIDGE GROUP STANDARD DRAWING	DRAWING NO. SD 1.20
RECOMMENDED FOR APPROVAL GROUP MANAGER D. EBERHART		
APPROVED STANDARDS COMMITTEE APPROVED FOR DISTRIBUTION	32" TYPE F ROADWAY BARRIER TRANSITION TO 38" SINGLE SLOPE BRIDGE BARRIER	DATE 01/20