

## Appendix A

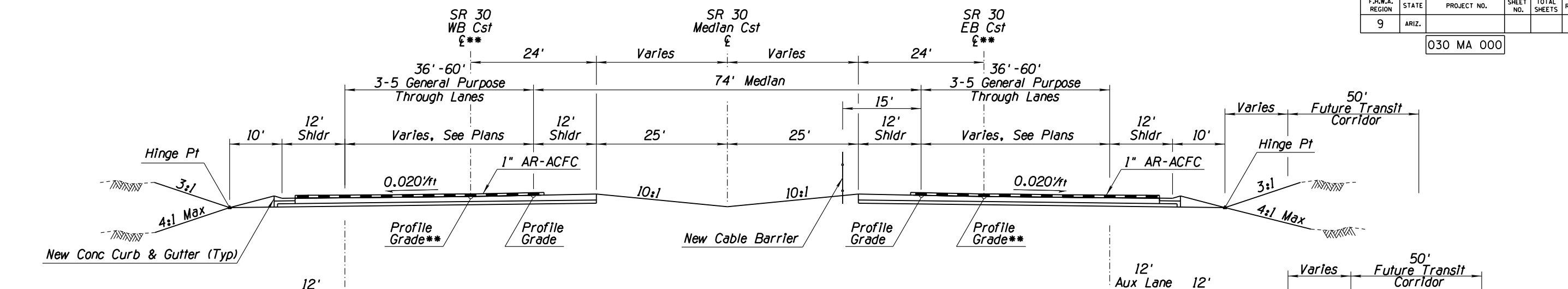
### Typical Sections of the Selected Alternative

---

*This page is intentionally left blank.*

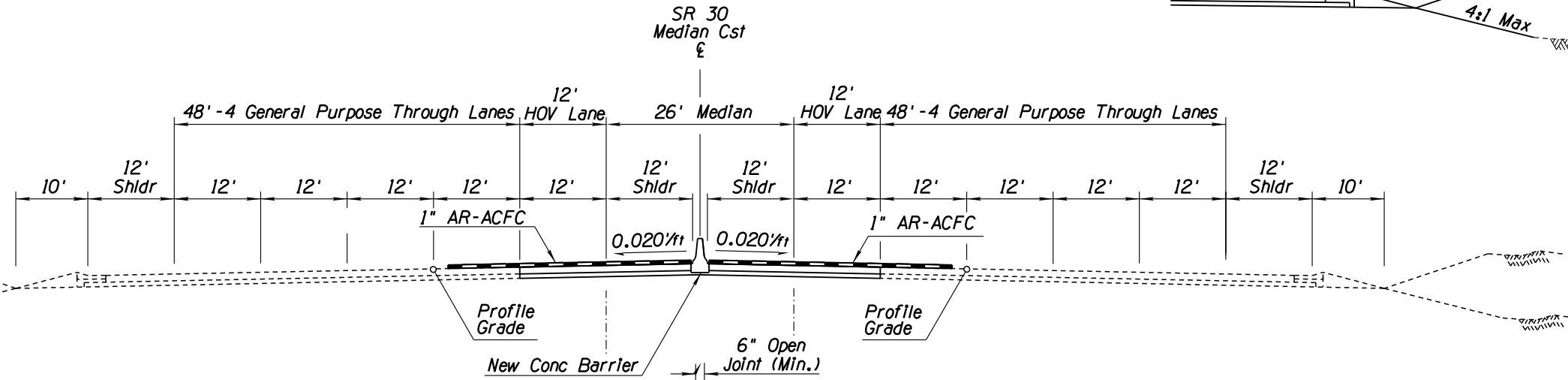
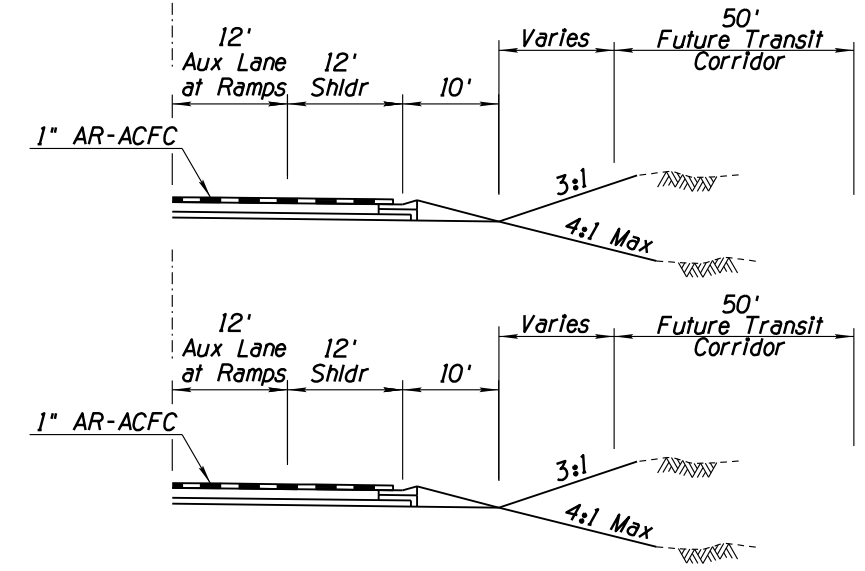
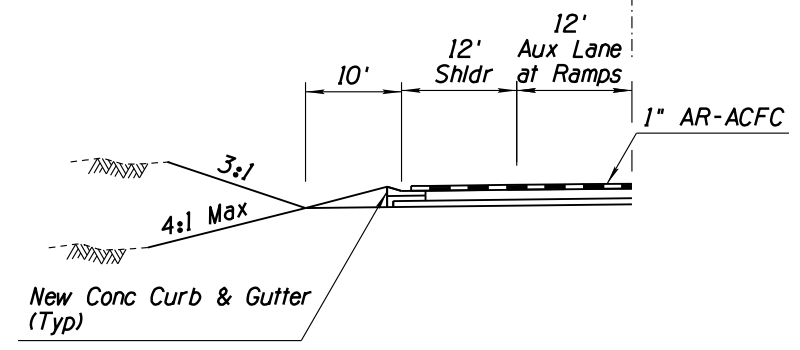
F.H.W.A. REGION	STATE	PROJECT NO.	SHEET NO.	TOTAL SHEETS	RECORD DRAWING
9	ARIZ.				

030 MA 000

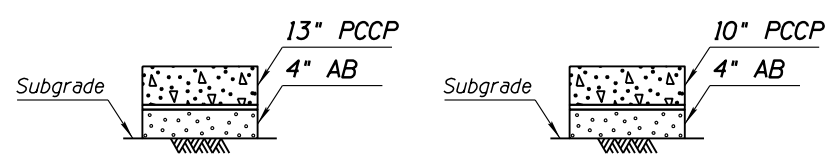


**TYPICAL MAIN LINE SECTION (INITIAL)**

\*\* Independant Construction Centerlines are Provided for Eastbound and Westbound SR 30 Beginning at Station 1966+00 and Proceeding Through the SR 30 / SR 202 System Interchange and Future East Leg.



**TYPICAL MAIN LINE SECTION (ULTIMATE)**



Total Thickness = 17" MAIN LINE  
Total Thickness = 14" RAMPS

**ASSUMED PAVEMENT STRUCTURAL SECTIONS**

**SELECTED ALTERNATIVE**

DESIGN	BJK	DATE	06/19	ARIZONA DEPARTMENT OF TRANSPORTATION INTERMODAL TRANSPORTATION DIVISION ROADWAY DESIGN SERVICES	<b>LDCR</b> Review NOT FOR CONSTRUCTION OR RECORDING DWG NO G-03.01
DRAWN	CADD	DATE	06/19		
CHECKED	BWB	DATE	06/19		
<b>HR</b>		HR, INC. 3300 E. GAMBELBACK ROAD SUITE 300 PHOENIX, AZ 85018-2311 TEL (602) 922-7700		TYPICAL SECTIONS	
ROUTE	SR 30	LOCATION	SR 30, SR 303L TO SR 202L		
TRACS NO.	H6876 OIL				

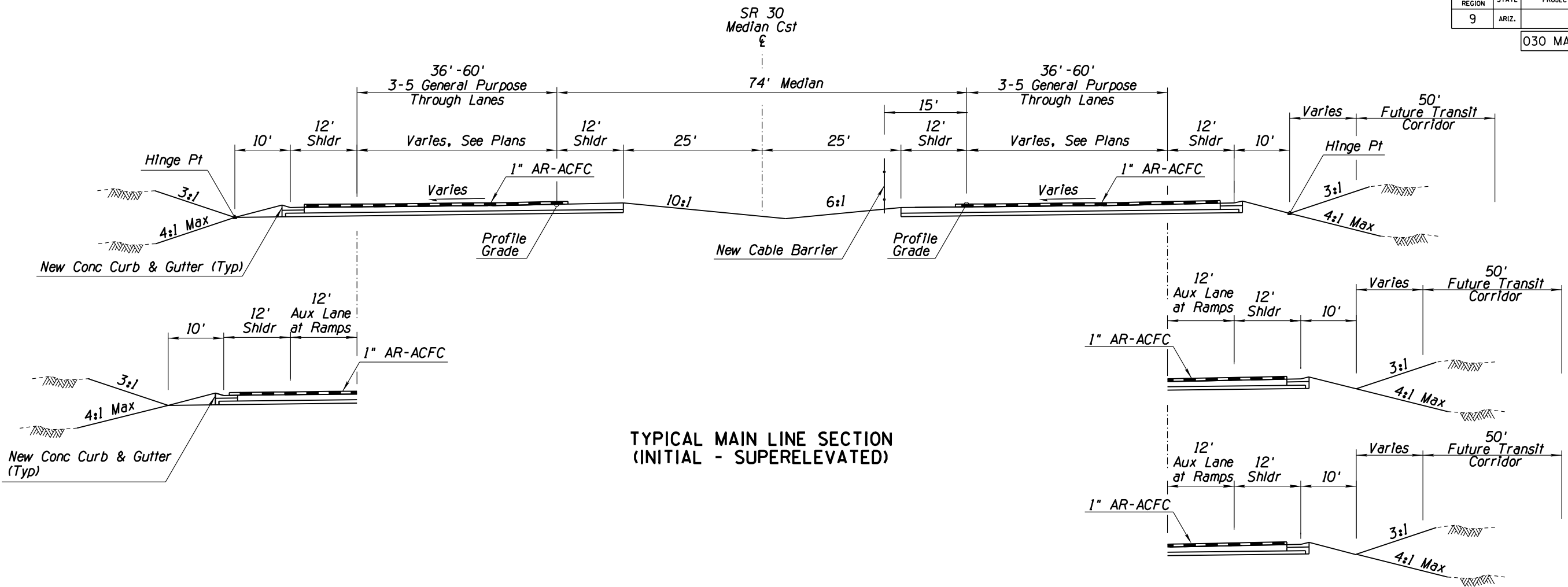
CALL BLUE STAKE CENTER two working days before you dig.  
602-263-1100  
Within Maricopa County OR  
1-800-STAKE-IT (782-5348)

DATE- LOCATION- REVISIONS- FINISHED PLANS- SURVEY NO. DATE- LOCATION- REVISIONS- FINISHED PLANS- SURVEY NO.

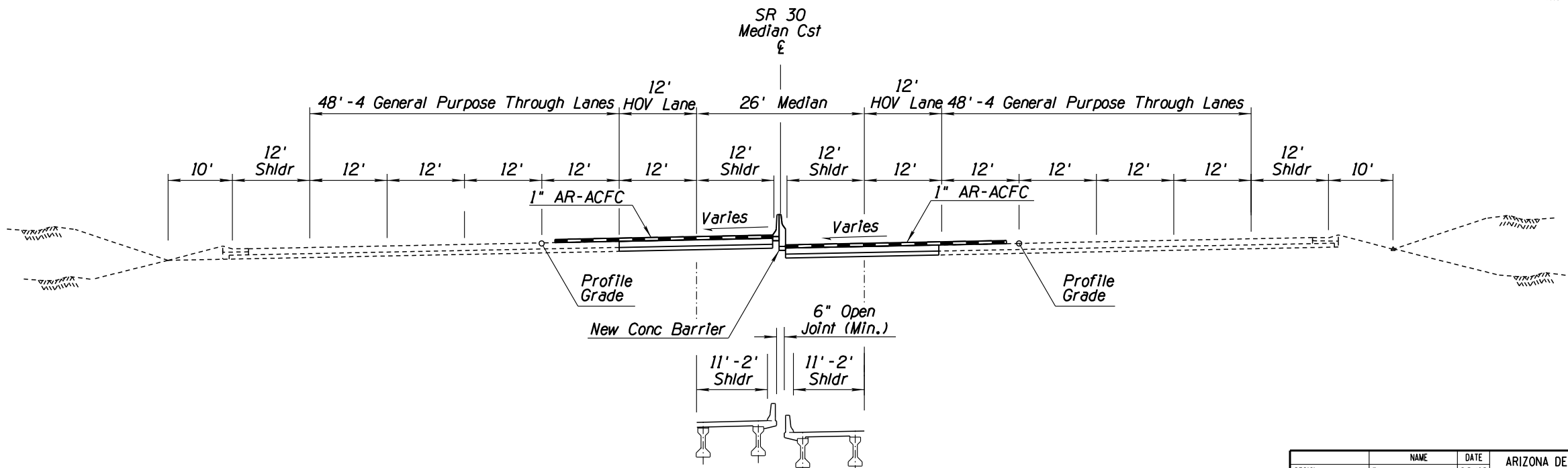
F.H.W.A. REGION	STATE	PROJECT NO.	SHEET NO.	TOTAL SHEETS	RECORD DRAWING
9	ARIZ.				

030 MA 000

SURVEY NO. FINISHED PLANS REVISIONS LOCATION DATE



TYPICAL MAIN LINE SECTION (INITIAL - SUPERELEVATED)



TYPICAL MAIN LINE SECTION (ULTIMATE - SUPERELEVATED)

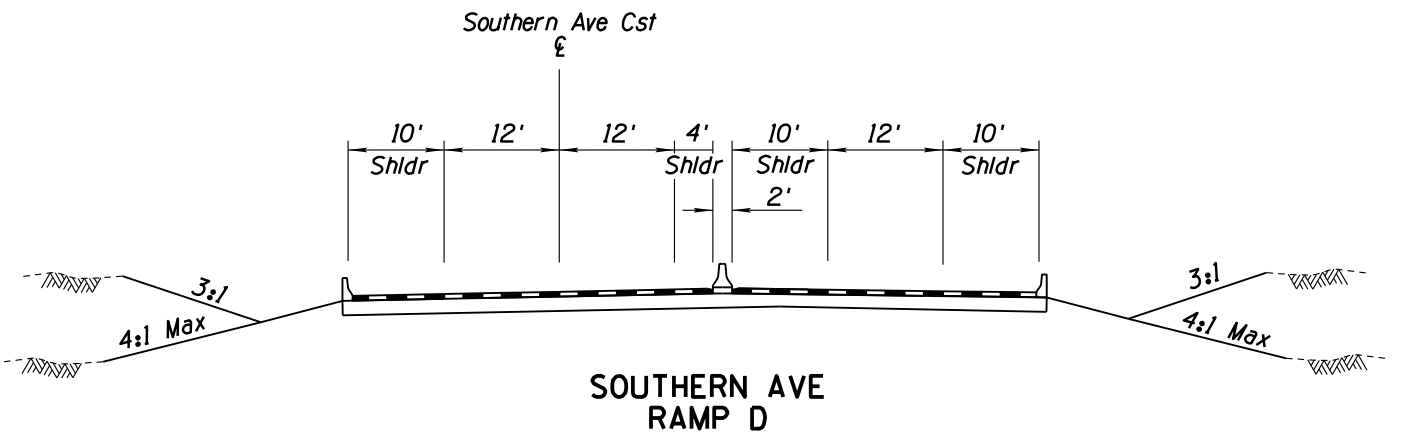
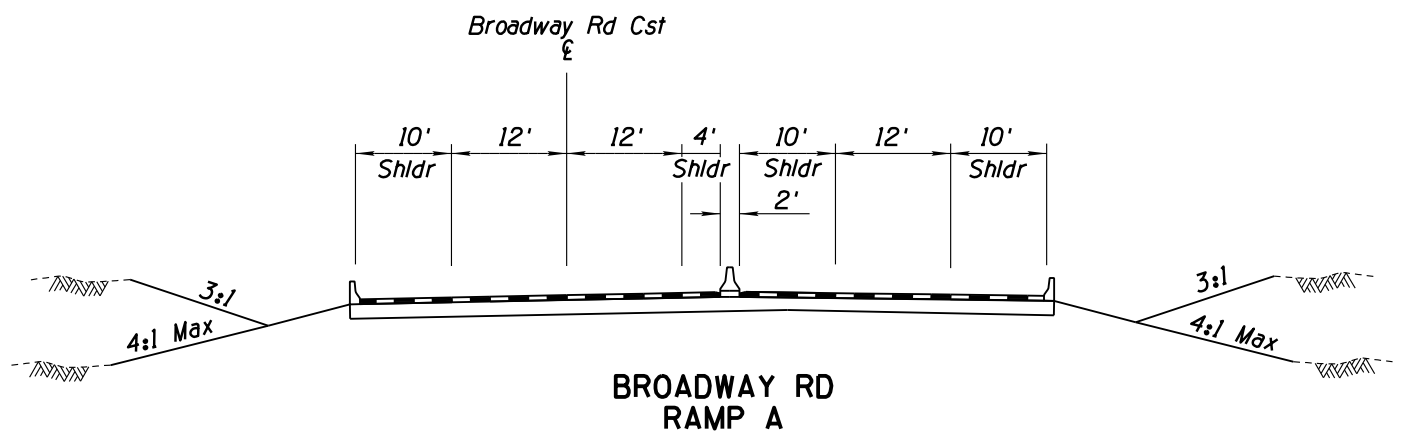
**SELECTED ALTERNATIVE**

CALL BLUE STAKE CENTER two working days before you dig.  
 602-263-1100  
 Within Maricopa County OR  
 1-800-STAKE-IT (782-5348)

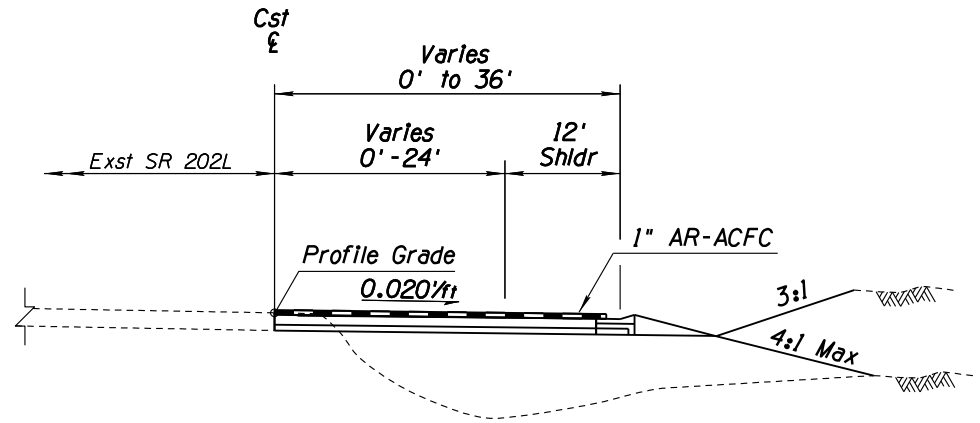
DESIGN	BJK	DATE	06/19	ARIZONA DEPARTMENT OF TRANSPORTATION INTERMODAL TRANSPORTATION DIVISION ROADWAY DESIGN SERVICES	<b>LDCR</b> Review NOT FOR CONSTRUCTION OR RECORDING DWG NO G-03.02
DRAWN	CADD	DATE	06/19		
CHECKED	BWB	DATE	06/19		
<b>HR</b>		<small>HR, INC. 3200 E. GAMBELBACK ROAD SUITE 300 PHOENIX, AZ 85018-2311 TEL (602) 922-7700</small>		TYPICAL SECTIONS	
ROUTE	SR 30	LOCATION	SR 30, SR 303L TO SR 202L		
TRACS NO.	H6876 OIL				

F.H.W.A. REGION	STATE	PROJECT NO.	SHEET NO.	TOTAL SHEETS	RECORD DRAWING
9	ARIZ.				

030 MA 000




TYPICAL SECTION ALONG SR 202L



SR 202L WIDENING

# SELECTED ALTERNATIVE

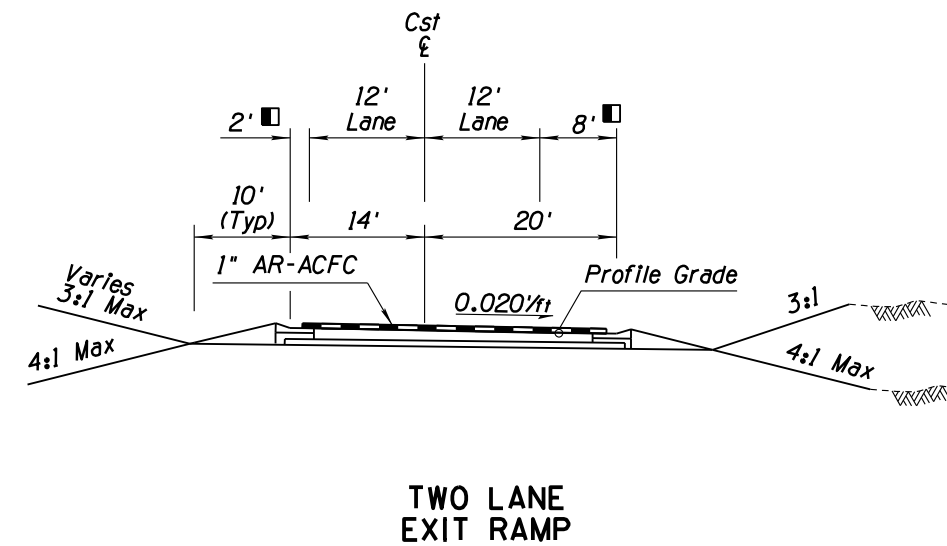
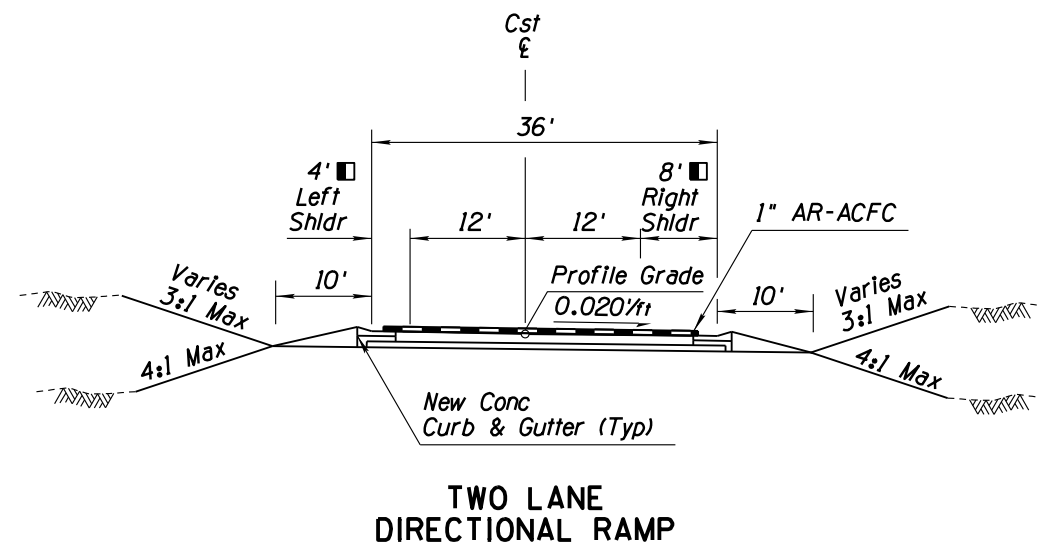
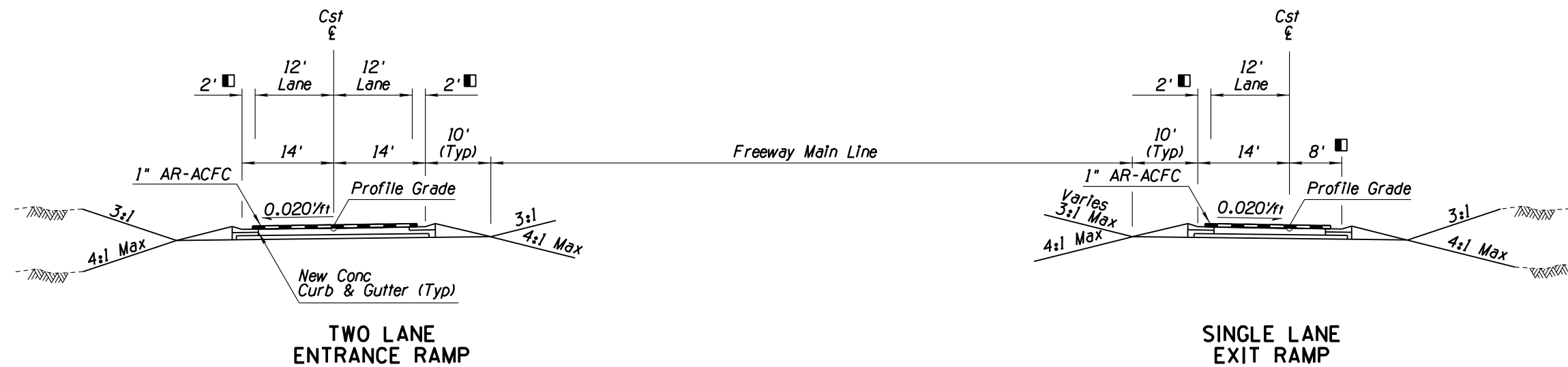
CALL BLUE STAKE CENTER two working days before you dig.  
**602-263-1100**  
 Within Maricopa County OR  
**1-800-STAKE-IT**  
 (782-5348)

DESIGN	NAME	DATE	ARIZONA DEPARTMENT OF TRANSPORTATION INTERMODAL TRANSPORTATION DIVISION ROADWAY DESIGN SERVICES	<b>LDCR</b> Review NOT FOR CONSTRUCTION OR RECORDING
DRAWN	BJK	06/19		
CHECKED	CADD	06/19		
	BWB	06/19	 HDR, INC. 3200 E. CAMELBACK ROAD SUITE 300 PHOENIX, AZ 85018-2311 TEL (602) 922-7700	TYPICAL SECTIONS
ROUTE	SR 30	LOCATION		SR 30, SR 303L TO SR 202L
TRACS NO.	H6876 OIL			OF

DATE- LOCATION- REVISIONS- FINISHED PLANS- SURVEY NO. DATE- LOCATION- REVISIONS- FINISHED PLANS- SURVEY NO.

F.H.W.A. REGION	STATE	PROJECT NO.	SHEET NO.	TOTAL SHEETS	RECORD DRAWING
9	ARIZ.				

030 MA 000



■ Add 2' to these shoulders when barrier is present

CALL BLUE STAKE CENTER two working days before you dig.  
602-263-1100  
Within Maricopa County OR  
1-800-STAKE-IT (782-5348)

DESIGN	BJK	DATE	06/19	ARIZONA DEPARTMENT OF TRANSPORTATION INTERMODAL TRANSPORTATION DIVISION ROADWAY DESIGN SERVICES	<b>LDCR</b> Review NOT FOR CONSTRUCTION OR RECORDING DWG NO G-03.04
DRAWN	CADD	DATE	06/19		
CHECKED	BWB	DATE	06/19		
<b>HR</b>		HR, INC. 3200 E. GAMBELBACK ROAD SUITE 300 PHOENIX, AZ 85018-2311 TEL (602) 922-7700		TYPICAL SECTIONS	
ROUTE	SR 30	LOCATION	SR 30, SR 303L TO SR 202L		
TRACS NO.	H6876 OIL		OF		

# SELECTED ALTERNATIVE

DATE- LOCATION- REVISIONS- FINISHED PLANS- SURVEY NO. DATE- LOCATION- REVISIONS- FINISHED PLANS- SURVEY NO.