



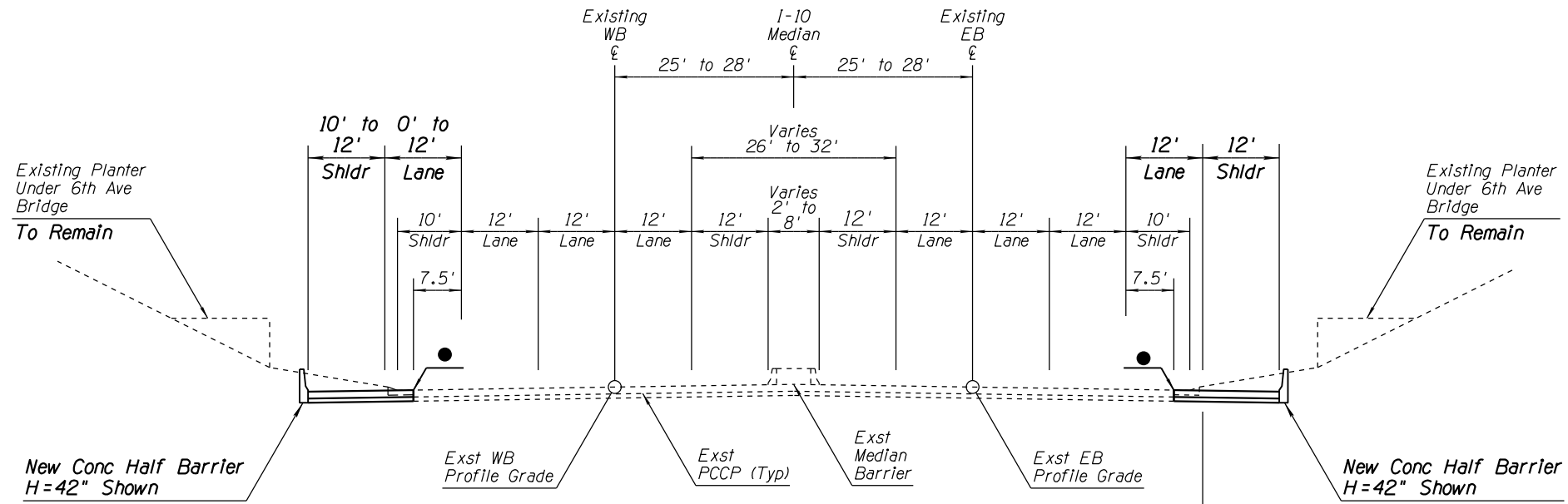
**APPENDIX J  
SYSTEM ALTERNATIVE IV TYPICAL SECTIONS**



**THIS PAGE INTENTIONALLY LEFT BLANK**

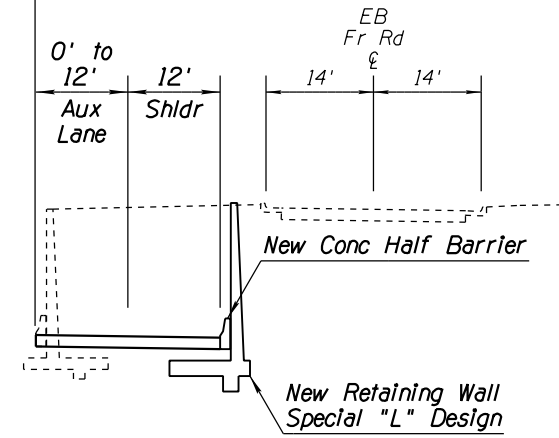
F.H.W.A. REGION	STATE	PROJECT NO.	SHEET NO.	TOTAL SHEETS	RECORD DRAWING
9	ARIZ.	010-E(210)S	1	46	

010 PM 260



● Lip of Existing Gutter

6th Ave Ramp 'A' Gore to EB Sta 351+18.31



EB Sta 351+18.31 to Med Sta 355+41.71

### TYPICAL SECTION

I-10  
Depressed Mainline  
Outside Widening  
Between 6th Ave Ramp 'A' Gore and Median Sta 355+41.71

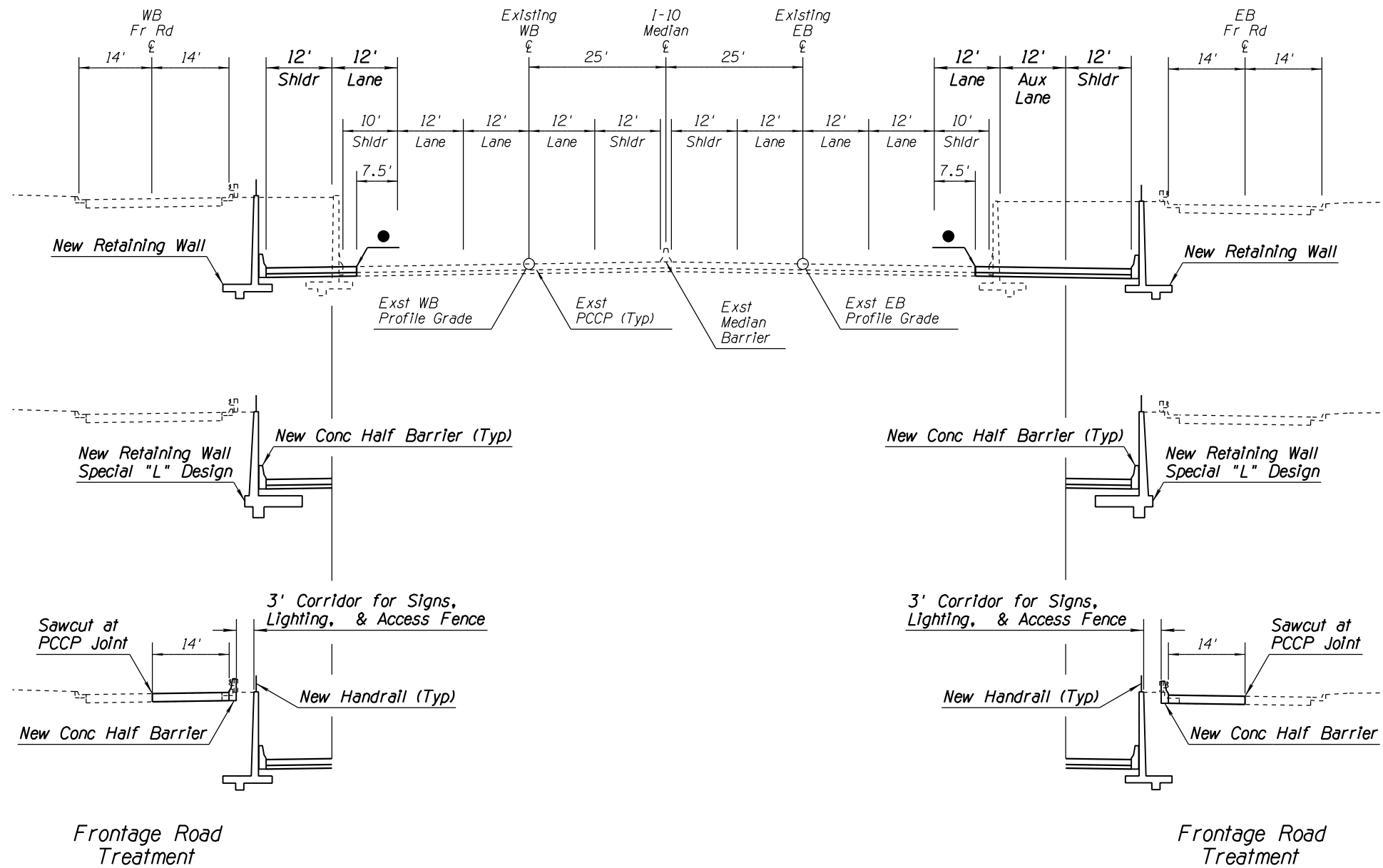
## APPENDIX J

DESIGN	MKO/JBC	10-17	ARIZONA DEPARTMENT OF TRANSPORTATION INFRASTRUCTURE DELIVERY & OPERATIONS DIVISION <b>ROADWAY DESIGN SERVICES</b>	PRELIMINARY NOT FOR CONSTRUCTION OR RECORDING
DRAWN	SR/JLM	10-17		
CHECKED	PNB	12-17		
<b>JACOBS</b>			DESIGN SHEET I-10 SYSTEM ALT IV TYPICAL SECTIONS	
ROUTE	LOCATION	I-10 - JCT. I-19 TO KOLB ROAD SR 210 - GOLF LINKS ROAD TO I-10		SHEET TYP-01
TRACS NO.	H7825 OIL	010-E(210)S		OF

DATE- LOCATION- REVISIONS- FINISHED PLANS- SURVEY NO. DATE- LOCATION- REVISIONS- FINISHED PLANS- SURVEY NO.

F.H.W.A. REGION	STATE	PROJECT NO.	SHEET NO.	TOTAL SHEETS	RECORD DRAWING
9	ARIZ.	010-E(210)S	2	46	

010 PM 260



● Lip of Existing Gutter

TYPICAL SECTION  
I-10  
Depressed Mainline  
Outside Widening  
Sta 355+41.71 to 4th Avenue

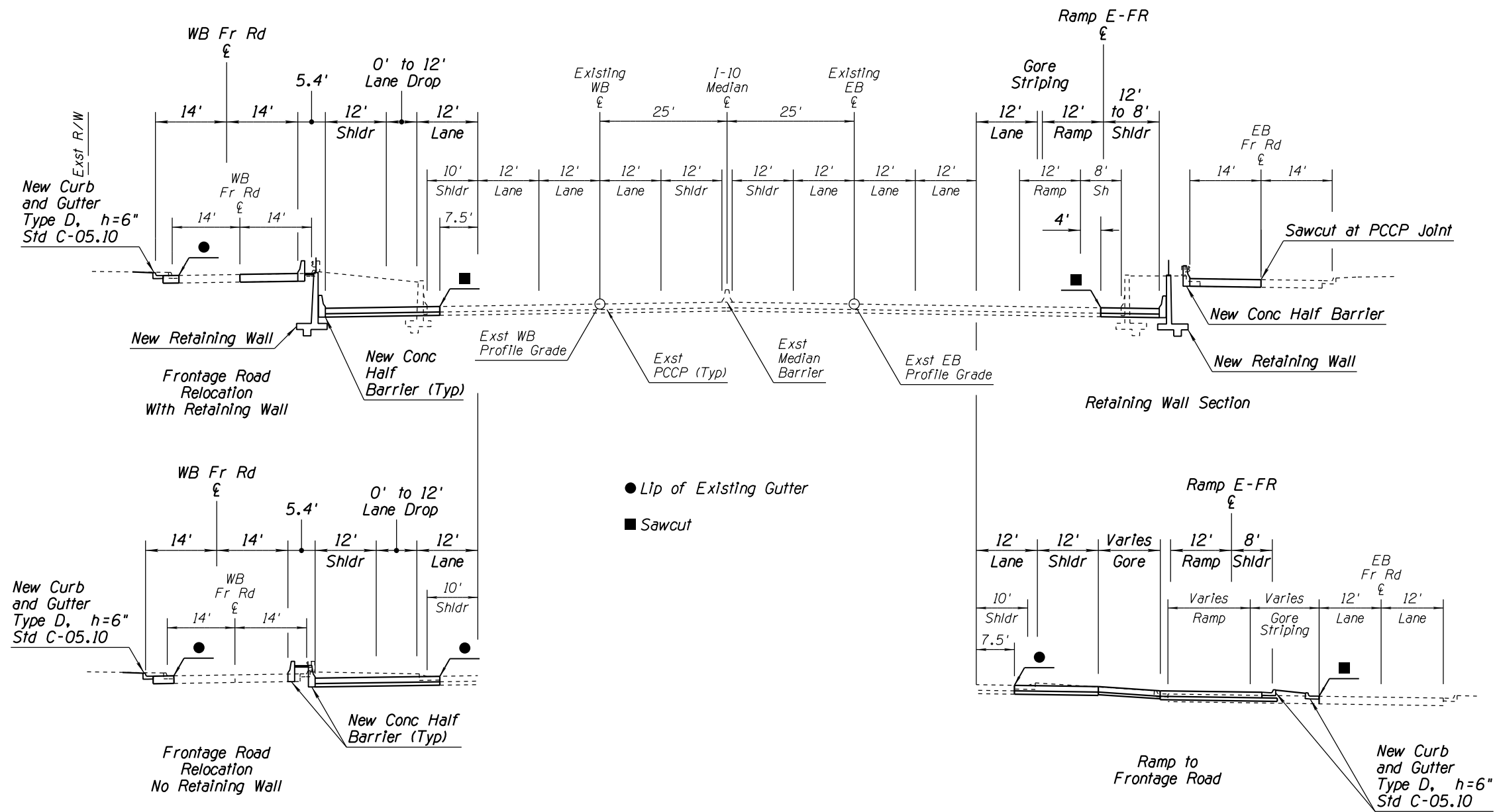
# APPENDIX J

DESIGN	MKO/JBC	10-17	ARIZONA DEPARTMENT OF TRANSPORTATION INFRASTRUCTURE DELIVERY & OPERATIONS DIVISION <b>ROADWAY DESIGN SERVICES</b>	PRELIMINARY NOT FOR CONSTRUCTION OR RECORDING
DRAWN	SR/JLM	10-17		
CHECKED	PNB	12-17		
<b>JACOBS</b>			DESIGN SHEET I-10 SYSTEM ALT IV TYPICAL SECTIONS	
ROUTE	LOCATION	I-10 - JCT. I-19 TO KOLB ROAD SR 210 - GOLF LINKS ROAD TO I-10		SHEET TYP-02
TRACS NO. H7825 01L			010-E(210)S	OF

REVISIONS- FINISHED PLANS- SURVEY NO. DATE- LOCATION- REVISIONS- FINISHED PLANS- SURVEY NO. DATE- LOCATION- REVISIONS- FINISHED PLANS- SURVEY NO. DATE-

F.H.W.A. REGION	STATE	PROJECT NO.	SHEET NO.	TOTAL SHEETS	RECORD DRAWING
9	ARIZ.	010-E(210)S	3	46	

010 PM 260



**TYPICAL SECTION**  
 I-10  
 Depressed Mainline  
 4th Avenue to Crossover Ramps  
 Outside Widening  
 WB Frontage Road Relocation

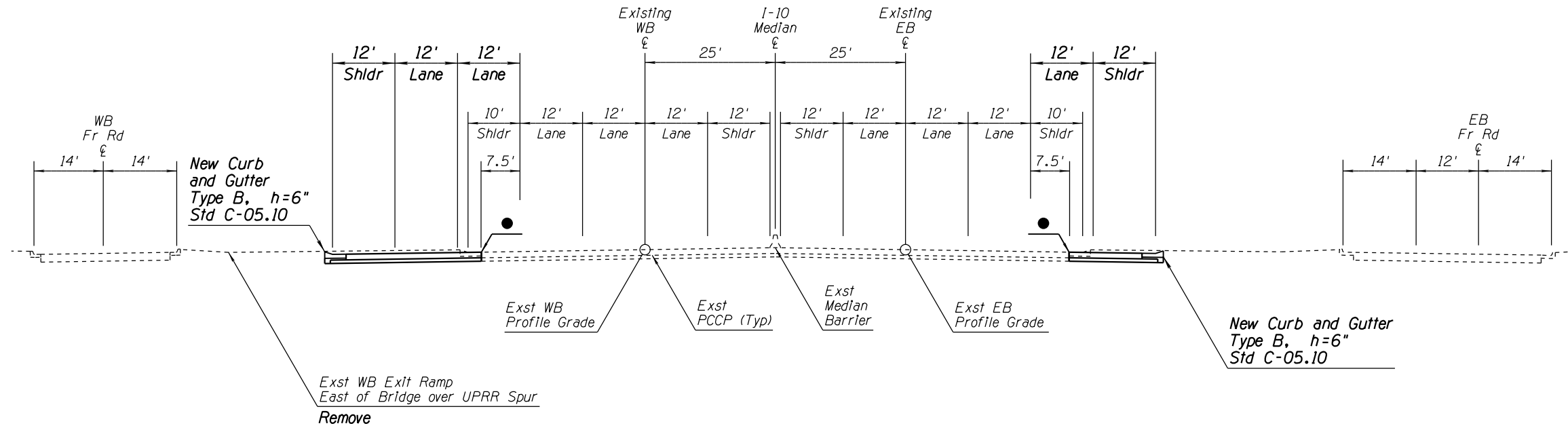
# APPENDIX J

DESIGN	MKO/JBC	DATE	10-17	ARIZONA DEPARTMENT OF TRANSPORTATION INFRASTRUCTURE DELIVERY & OPERATIONS DIVISION <b>ROADWAY DESIGN SERVICES</b>	PRELIMINARY NOT FOR CONSTRUCTION OR RECORDING
DRAWN	SR/JLM	DATE	10-17		
CHECKED	PNB	DATE	12-17		
<b>JACOBS</b>		DESIGN SHEET I-10 SYSTEM ALT IV TYPICAL SECTIONS		SHEET TYP-03	
ROUTE	I-10	LOCATION	I-10 - JCT. I-19 TO KOLB ROAD SR 210 - GOLF LINKS ROAD TO I-10		
TRACS NO.	H7825 01L		010-E(210)S		OF

SURVEY NO. FINISHED PLANS DATE REVISIONS LOCATION DATE

F.H.W.A. REGION	STATE	PROJECT NO.	SHEET NO.	TOTAL SHEETS	RECORD DRAWING
9	ARIZ.	010-E(210)S	4	46	

010 PM 260



● Lip of Existing Gutter

**TYPICAL SECTION**  
 I-10  
 Elevated Mainline  
 In the Vicinity of UPRR Spur  
 Outside Widening  
 Between EB Exit and Sta PC 375+93.29

**APPENDIX J**

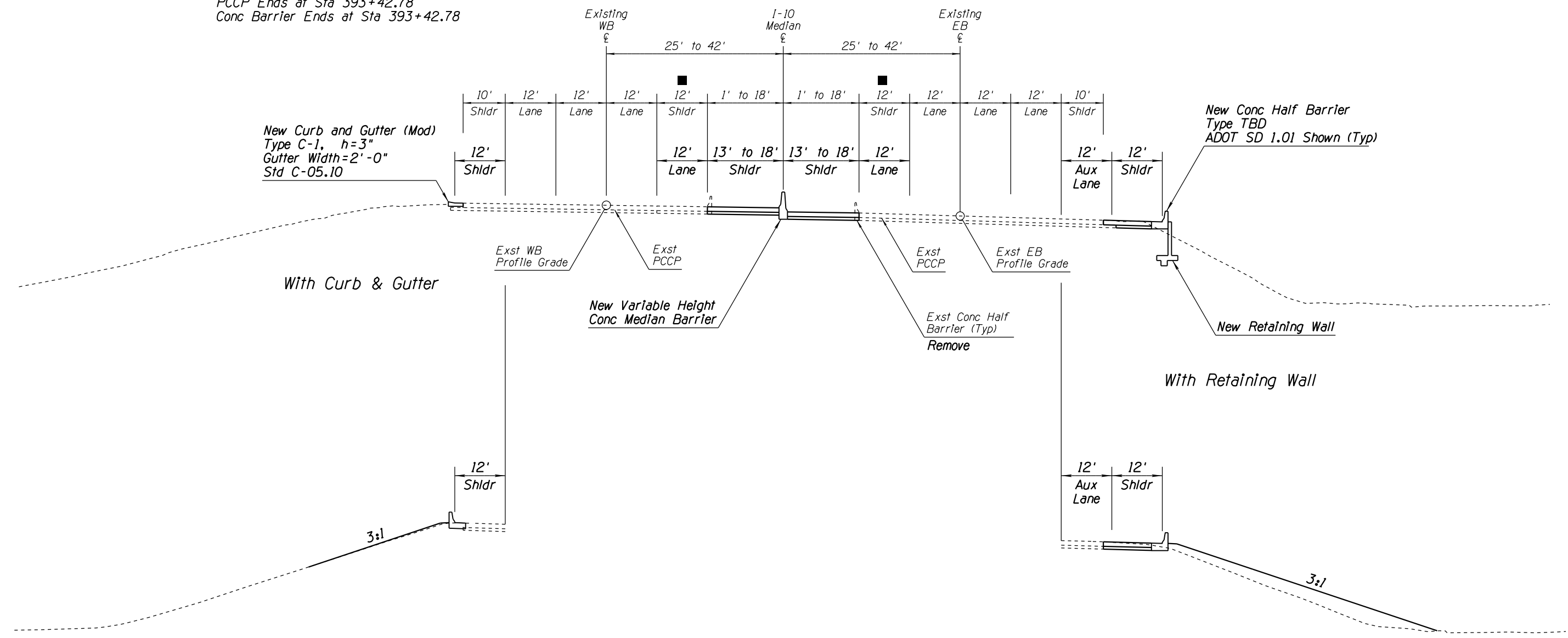
DESIGN	MKO/JBC	10-17	ARIZONA DEPARTMENT OF TRANSPORTATION INFRASTRUCTURE DELIVERY & OPERATIONS DIVISION <b>ROADWAY DESIGN SERVICES</b>	PRELIMINARY NOT FOR CONSTRUCTION OR RECORDING
DRAWN	SR/JLM	10-17		
CHECKED	PNB	12-17		
<b>JACOBS</b>			DESIGN SHEET I-10 SYSTEM ALT IV TYPICAL SECTIONS	
ROUTE	LOCATION	I-10 - JCT. I-19 TO KOLB ROAD SR 210 - GOLF LINKS ROAD TO I-10		SHEET TYP-04
TRACS NO. H7825 01L			010-E(210)S	OF

SURVEY NO. FINISHED PLANS DATE REVISIONS LOCATION DATE

F.H.W.A. REGION	STATE	PROJECT NO.	SHEET NO.	TOTAL SHEETS	RECORD DRAWING
9	ARIZ.	010-E(210)S	5	46	

010 PM 260

- EB Shldr -  
PCCP Ends at Sta 391+31.46  
Conc Barrier Ends at Sta 391+47.39
- WB Shldr -  
PCCP Ends at Sta 393+42.78  
Conc Barrier Ends at Sta 393+42.78



With Curb & Gutter

With Retaining Wall

**TYPICAL SECTION**

I-10  
Elevated Mainline  
Curve at Park Ave  
Change from Outside Widening to Inside Widening  
Med Sta PC 375+93.29 to Med Sta PT 397+99.24

**APPENDIX J**

DESIGN	MKO/JBC	DATE	10-17	ARIZONA DEPARTMENT OF TRANSPORTATION INFRASTRUCTURE DELIVERY & OPERATIONS DIVISION <b>ROADWAY DESIGN SERVICES</b>	PRELIMINARY NOT FOR CONSTRUCTION OR RECORDING
DRAWN	SR/JLM	DATE	10-17		
CHECKED	PNB	DATE	12-17		
<b>JACOBS</b>		DESIGN SHEET I-10 SYSTEM ALT IV TYPICAL SECTIONS		SHEET TYP-05	
ROUTE	I-10	LOCATION	I-10 - JCT. I-19 TO KOLB ROAD SR 210 - GOLF LINKS ROAD TO I-10		
TRACS NO.	H7825 OIL		010-E(210)S		OF

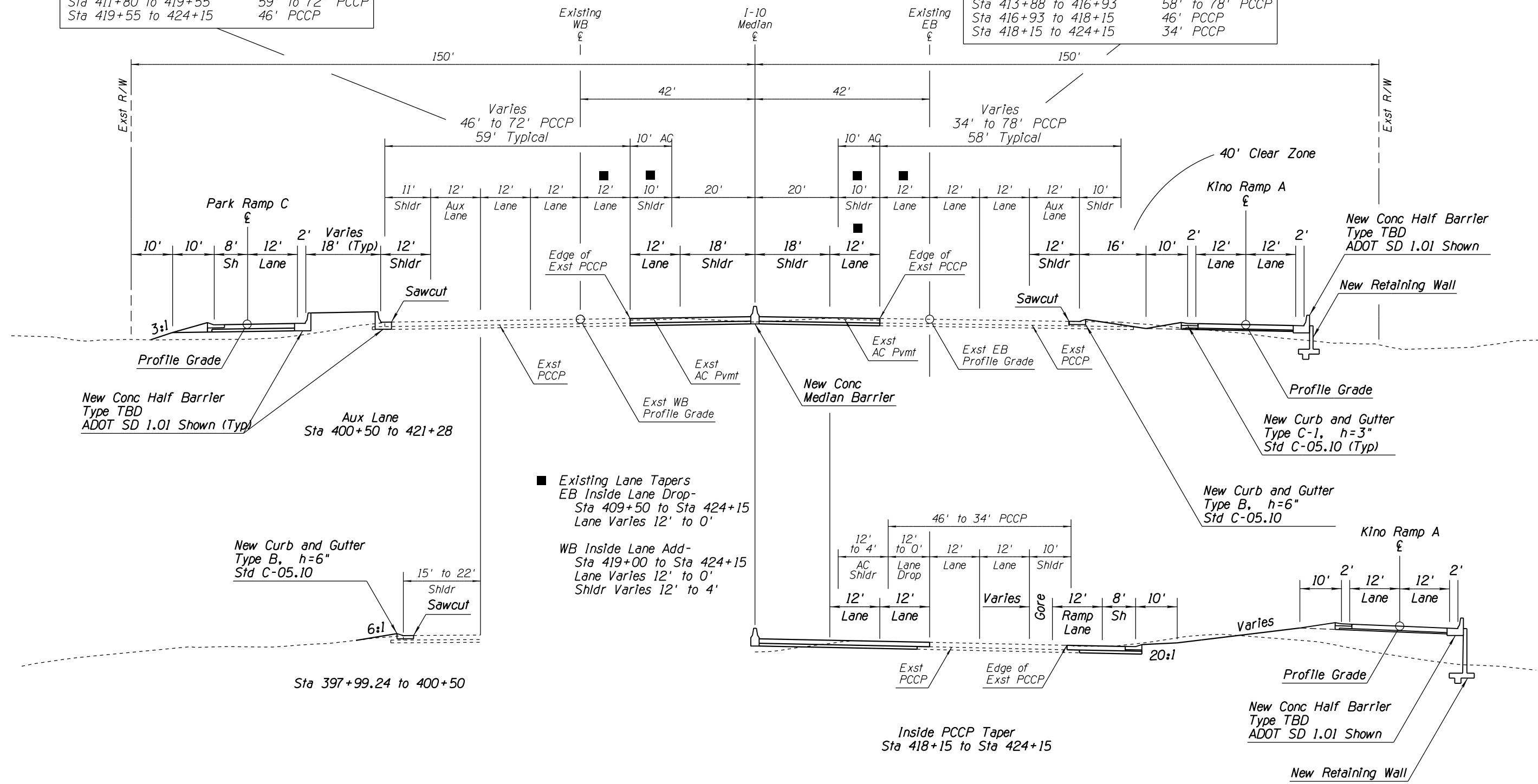
DATE LOCATION REVISIONS FINISHED PLANS SURVEY NO. DATE LOCATION REVISIONS FINISHED PLANS SURVEY NO.

F.H.W.A. REGION	STATE	PROJECT NO.	SHEET NO.	TOTAL SHEETS	RECORD DRAWING
9	ARIZ.	010-E(210)S	6	46	

010 PM 260

Sta 397+99.24 to 400+80 51' to 58' PCCP  
 Sta 400+80 to 411+80 59' PCCP  
 Sta 411+80 to 419+55 59' to 72' PCCP  
 Sta 419+55 to 424+15 46' PCCP

Sta 397+99.24 to 400+50 76' to 58' PCCP  
 Sta 400+50 to 413+88 58' PCCP  
 Sta 413+88 to 416+93 58' to 78' PCCP  
 Sta 416+93 to 418+15 46' PCCP  
 Sta 418+15 to 424+15 34' PCCP



■ Existing Lane Tapers  
 EB Inside Lane Drop-  
 Sta 409+50 to Sta 424+15  
 Lane Varies 12' to 0'  
 WB Inside Lane Add-  
 Sta 419+00 to Sta 424+15  
 Lane Varies 12' to 0'  
 Shldr Varies 12' to 4'

**TYPICAL SECTION**  
 I-10  
 Elevated Mainline  
 Park Ave to Kino West Gores  
 Inside Widening  
 Med Sta PT 397+99.24 to Med Sta 421+28

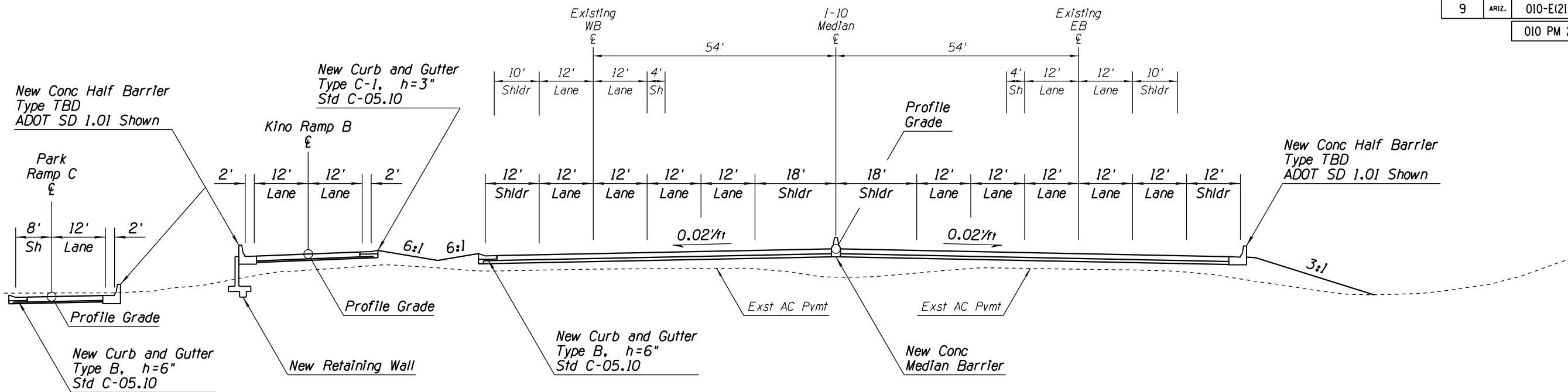
**APPENDIX J**

DESIGN	MKO/JBC	10-17	ARIZONA DEPARTMENT OF TRANSPORTATION INFRASTRUCTURE DELIVERY & OPERATIONS DIVISION <b>ROADWAY DESIGN SERVICES</b>	PRELIMINARY NOT FOR CONSTRUCTION OR RECORDING
DRAWN	SR/JLM	10-17		
CHECKED	PNB	12-17		
<b>JACOBS</b>			DESIGN SHEET I-10 SYSTEM ALT IV TYPICAL SECTIONS	SHEET TYP-06
ROUTE	LOCATION	I-10 - JCT. I-19 TO KOLB ROAD SR 210 - GOLF LINKS ROAD TO I-10		
TRACS NO.	H7825 OIL	010-E(210)S		OF

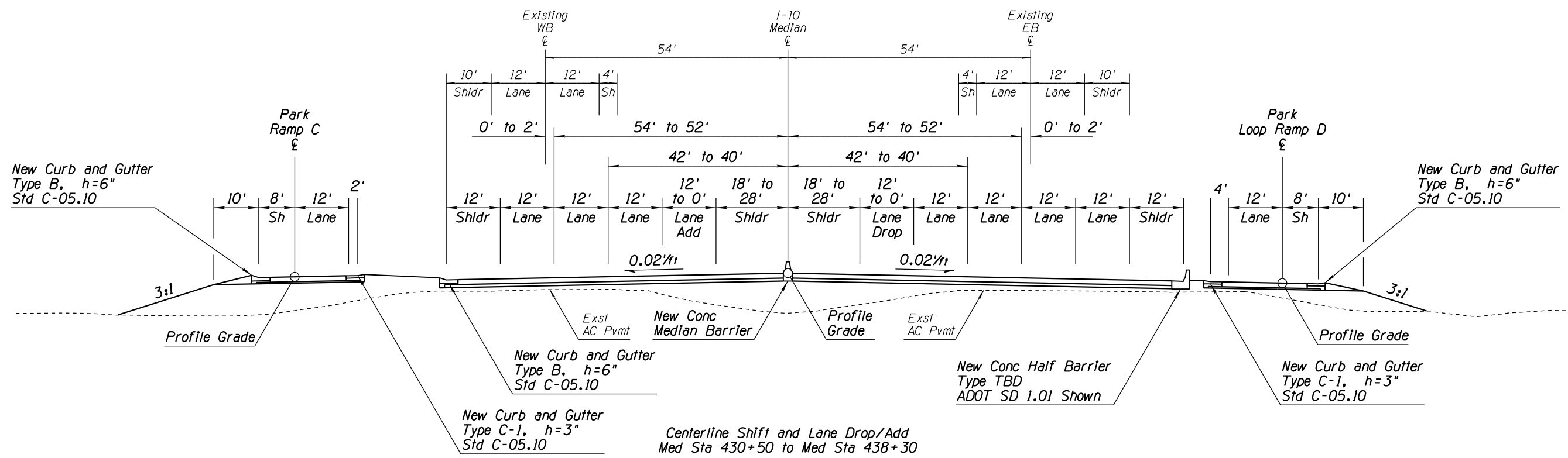


F.H.W.A. REGION	STATE	PROJECT NO.	SHEET NO.	TOTAL SHEETS	RECORD DRAWING
9	ARIZ.	010-E(210)S	7	46	

010 PM 260



Med Sta 421+28 to Med Sta 430+50



Centerline Shift and Lane Drop/Add  
Med Sta 430+50 to Med Sta 438+30

**TYPICAL SECTION**  
I-10  
Elevated Mainline  
West Kino Gores to Sta 438+30  
Inside Widening  
Med Sta PT 421+28 to Med Sta 438+30

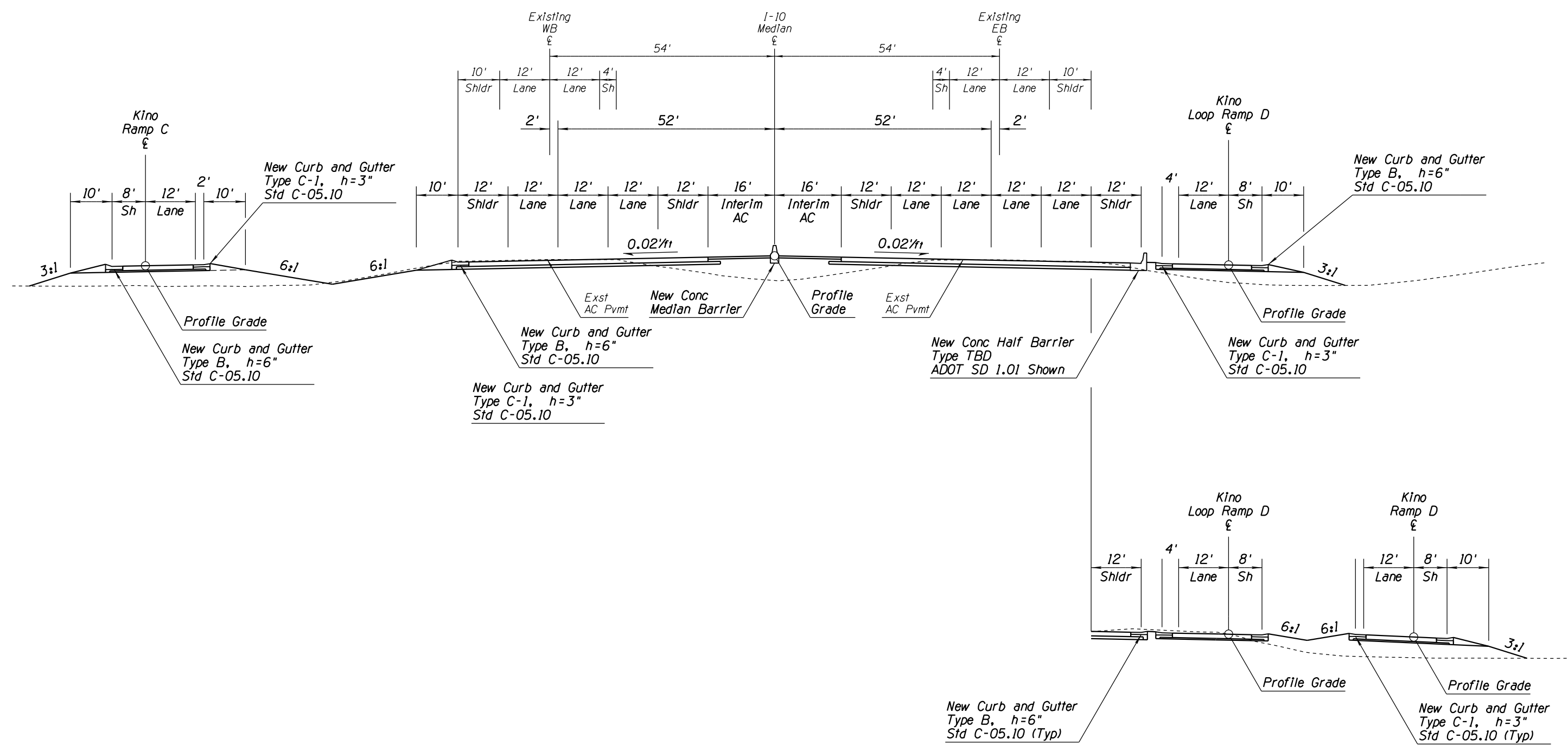
# APPENDIX J

DESIGN	MKO/JBC	10-17	ARIZONA DEPARTMENT OF TRANSPORTATION INFRASTRUCTURE DELIVERY & OPERATIONS DIVISION <b>ROADWAY DESIGN SERVICES</b>	PRELIMINARY NOT FOR CONSTRUCTION OR RECORDING
DRAWN	SR/JLM	10-17		
CHECKED	PNB	12-17		
<b>JACOBS</b>			DESIGN SHEET I-10 SYSTEM ALT IV TYPICAL SECTIONS	
ROUTE	LOCATION	I-10 - JCT. I-19 TO KOLB ROAD SR 210 - GOLF LINKS ROAD TO I-10		SHEET TYP-07
TRACS NO. H7825 OIL		010-E(210)S		OF

SURVEY NO. FINISHED PLANS. DATE REVISIONS. LOCATION. DATE FINISHED PLANS. SURVEY NO.

F.H.W.A. REGION	STATE	PROJECT NO.	SHEET NO.	TOTAL SHEETS	RECORD DRAWING
9	ARIZ.	010-E(210)S	8	46	

010 PM 260



**TYPICAL SECTION**  
 I-10  
 Elevated Mainline  
 Sta 438+30 to East Kino Gores  
 Inside Widening  
 Med Sta 438+30 to Med Sta 445+00

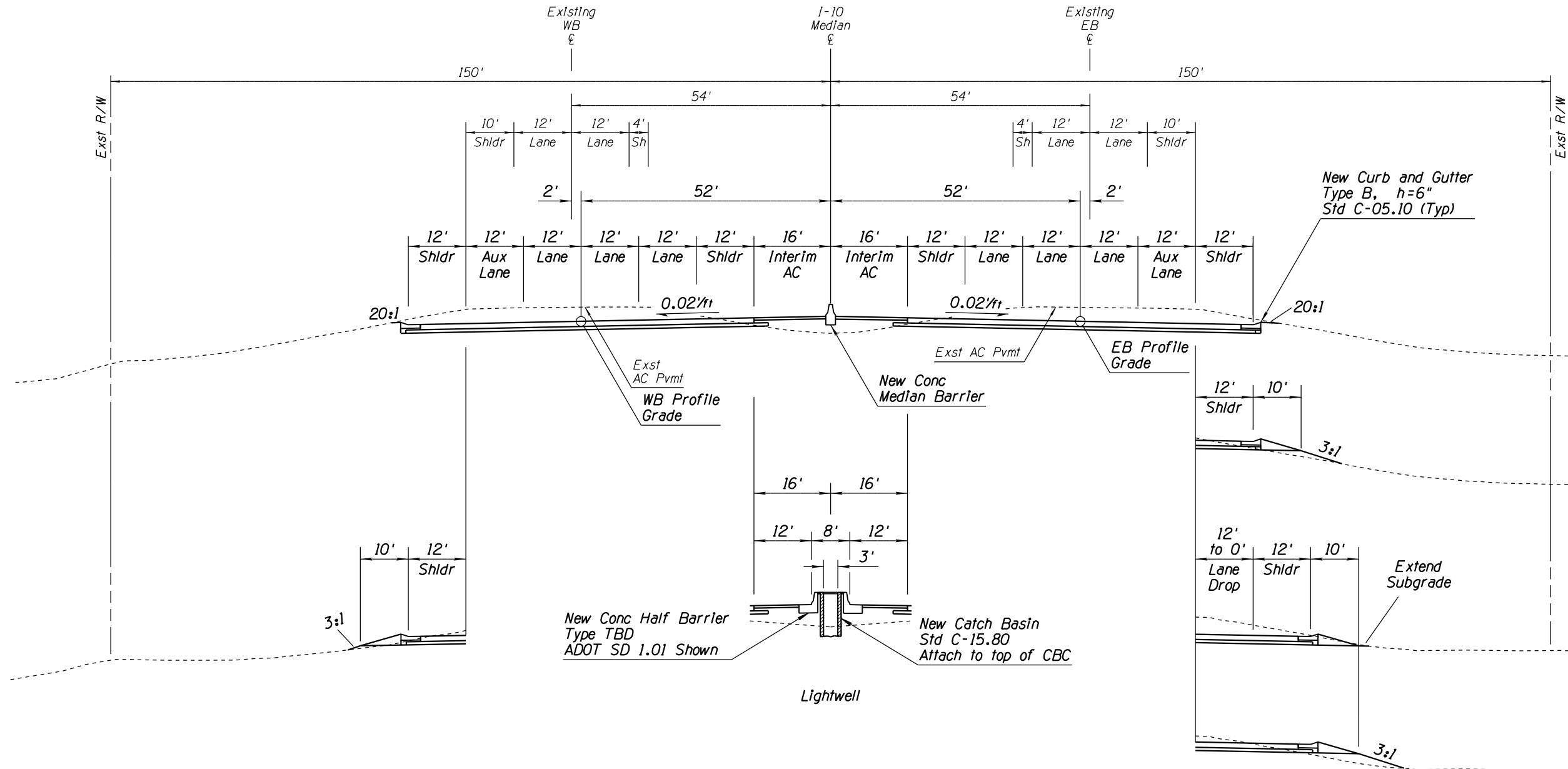
**APPENDIX J**

DESIGN	MKO/JBC	DATE	10-17	ARIZONA DEPARTMENT OF TRANSPORTATION INFRASTRUCTURE DELIVERY & OPERATIONS DIVISION <b>ROADWAY DESIGN SERVICES</b>	PRELIMINARY NOT FOR CONSTRUCTION OR RECORDING
DRAWN	SR/JLM	DATE	10-17		
CHECKED	PNB	DATE	12-17		
<b>JACOBS</b>				DESIGN SHEET I-10 SYSTEM ALT IV TYPICAL SECTIONS	SHEET TYP-08
ROUTE	I-10	LOCATION	I-10 - JCT. I-19 TO KOLB ROAD SR 210 - GOLF LINKS ROAD TO I-10		
TRACS NO.	H7825 OIL	PROJECT NO.	010-E(210)S	DATE	OF

DATE: \_\_\_\_\_ LOCATION: \_\_\_\_\_ REVISIONS: \_\_\_\_\_ FINISHED PLANS: \_\_\_\_\_ SURVEY NO.: \_\_\_\_\_ DATE: \_\_\_\_\_ LOCATION: \_\_\_\_\_ REVISIONS: \_\_\_\_\_ FINISHED PLANS: \_\_\_\_\_ SURVEY NO.: \_\_\_\_\_

F.H.W.A. REGION	STATE	PROJECT NO.	SHEET NO.	TOTAL SHEETS	RECORD DRAWING
9	ARIZ.	010-E(210)S	9	46	

010 PM 260



**TYPICAL SECTION**  
 1-10  
 Elevated Mainline  
 East Kino Gores to Country Club Gores  
 Inside Widening  
 Med Sta 445+00 to Med Sta 487+00

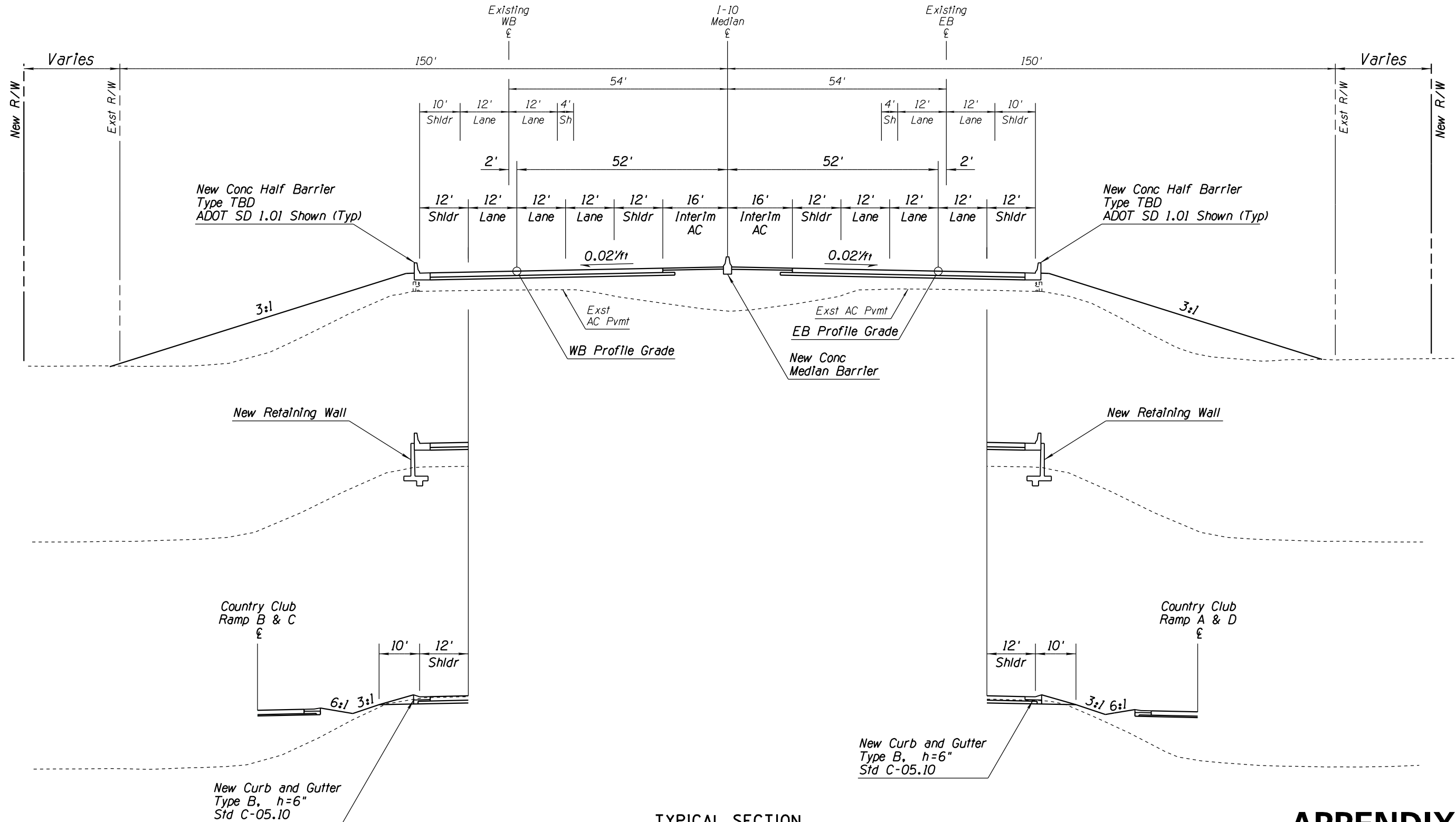
# APPENDIX J

DESIGN	MKO/JBC	10-17	ARIZONA DEPARTMENT OF TRANSPORTATION INFRASTRUCTURE DELIVERY & OPERATIONS DIVISION <b>ROADWAY DESIGN SERVICES</b>	PRELIMINARY NOT FOR CONSTRUCTION OR RECORDING
DRAWN	SR/JLM	10-17		
CHECKED	PNB	12-17		
<b>JACOBS</b>			DESIGN SHEET 1-10 SYSTEM ALT IV TYPICAL SECTIONS	
ROUTE	LOCATION	1-10 - JCT. I-19 TO KOLB ROAD SR 210 - GOLF LINKS ROAD TO I-10		SHEET TYP-09
TRACS NO. H7825 01L			010-E(210)S	OF

SURVEY NO. FINISHED PLANS DATE REVISIONS LOCATION DATE

F.H.W.A. REGION	STATE	PROJECT NO.	SHEET NO.	TOTAL SHEETS	RECORD DRAWING
9	ARIZ.	010-E(210)S	10	46	

010 PM 260



TYPICAL SECTION  
 I-10  
 Elevated Mainline  
 Between Country Club Gores  
 Inside Widening  
 Med Sta 487+00 to Med Sta 513+00

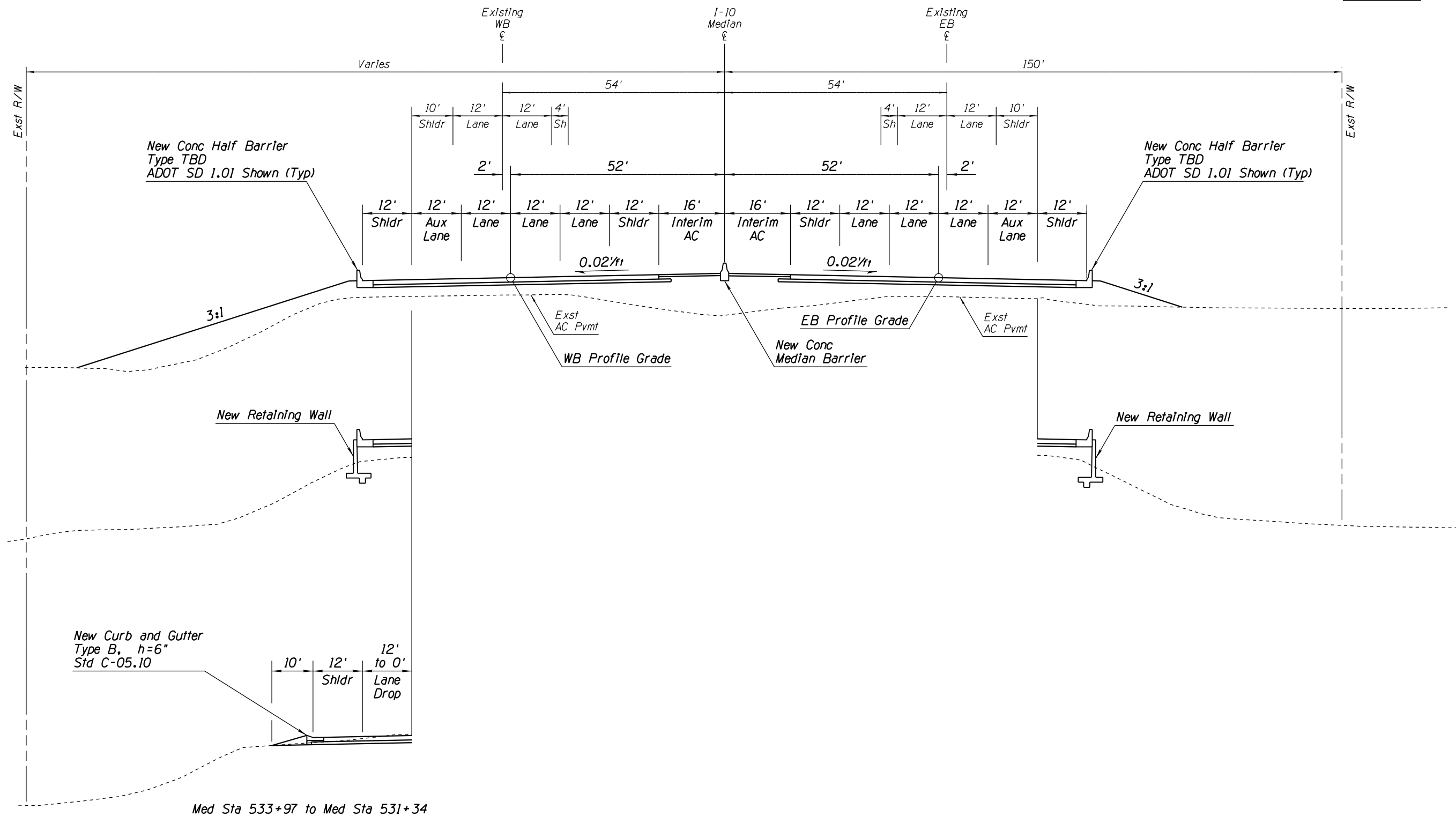
# APPENDIX J

DESIGN	MKO/JBC	DATE	10-17	ARIZONA DEPARTMENT OF TRANSPORTATION INFRASTRUCTURE DELIVERY & OPERATIONS DIVISION <b>ROADWAY DESIGN SERVICES</b>	PRELIMINARY NOT FOR CONSTRUCTION OR RECORDING
DRAWN	SR/JLM	DATE	10-17		
CHECKED	PNB	DATE	12-17		
<b>JACOBS</b>		DESIGN SHEET I-10 SYSTEM ALT IV TYPICAL SECTIONS		SHEET TYP-10	
ROUTE	I-10	LOCATION	I-10 - JCT. I-19 TO KOLB ROAD SR 210 - GOLF LINKS ROAD TO I-10		
TRACS NO.	H7825 OIL		010-E(210)S		OF

DATE LOCATION REVISIONS FINISHED PLANS SURVEY NO. DATE LOCATION REVISIONS FINISHED PLANS SURVEY NO.

F.H.W.A. REGION	STATE	PROJECT NO.	SHEET NO.	TOTAL SHEETS	RECORD DRAWING
9	ARIZ.	010-E(210)S	11	46	

010 PM 260



**TYPICAL SECTION**  
 1-10  
 Elevated Mainline  
 Country Club Gores to Alvernon Gores  
 Inside Widening  
 Med Sta 513+00 to Med Sta 548+00

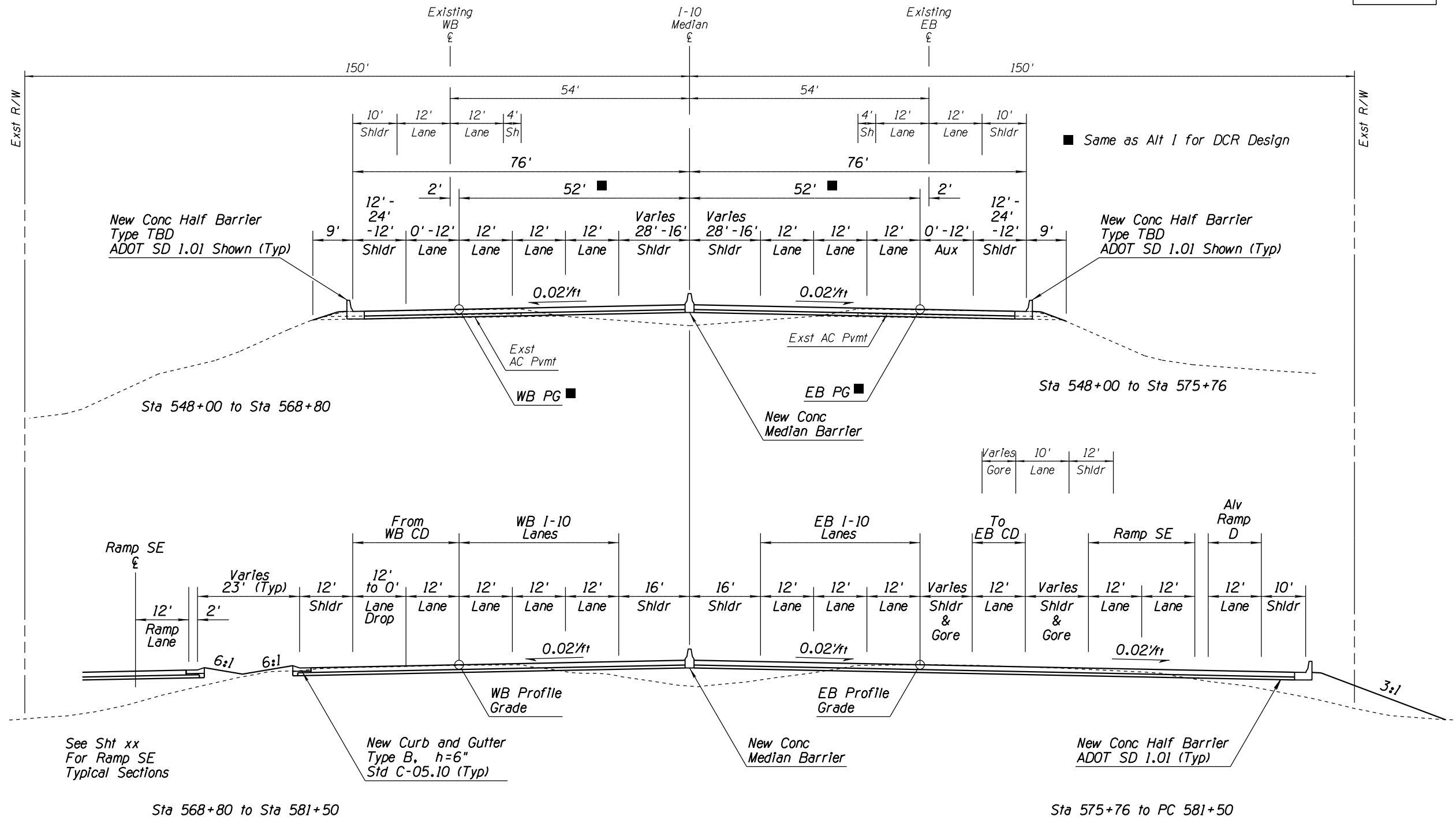
# APPENDIX J

DESIGN	MKO/JBC	DATE	10-17	ARIZONA DEPARTMENT OF TRANSPORTATION INFRASTRUCTURE DELIVERY & OPERATIONS DIVISION <b>ROADWAY DESIGN SERVICES</b>	PRELIMINARY NOT FOR CONSTRUCTION OR RECORDING
DRAWN	SR/JLM	DATE	10-17		
CHECKED	PNB	DATE	12-17		
<b>JACOBS</b>		DESIGN SHEET 1-10 SYSTEM ALT IV TYPICAL SECTIONS			
ROUTE	1-10	LOCATION	1-10 - JCT. I-19 TO KOLB ROAD SR 210 - GOLF LINKS ROAD TO I-10		SHEET TYP-II
TRACS NO.	H7825 01L	010-E(210)S		OF	

SURVEY NO. FINISHED PLANS DATE REVISIONS LOCATION DATE

F.H.W.A. REGION	STATE	PROJECT NO.	SHEET NO.	TOTAL SHEETS	RECORD DRAWING
9	ARIZ.	010-E(210)S	12	46	

010 PM 260



**TYPICAL SECTION**  
 I-10 System Alternative IV  
 Elevated Mainline  
 At SR 210 System Interchange  
 Inside Widening  
 Med Sta 548+00 to Med Sta 581+50

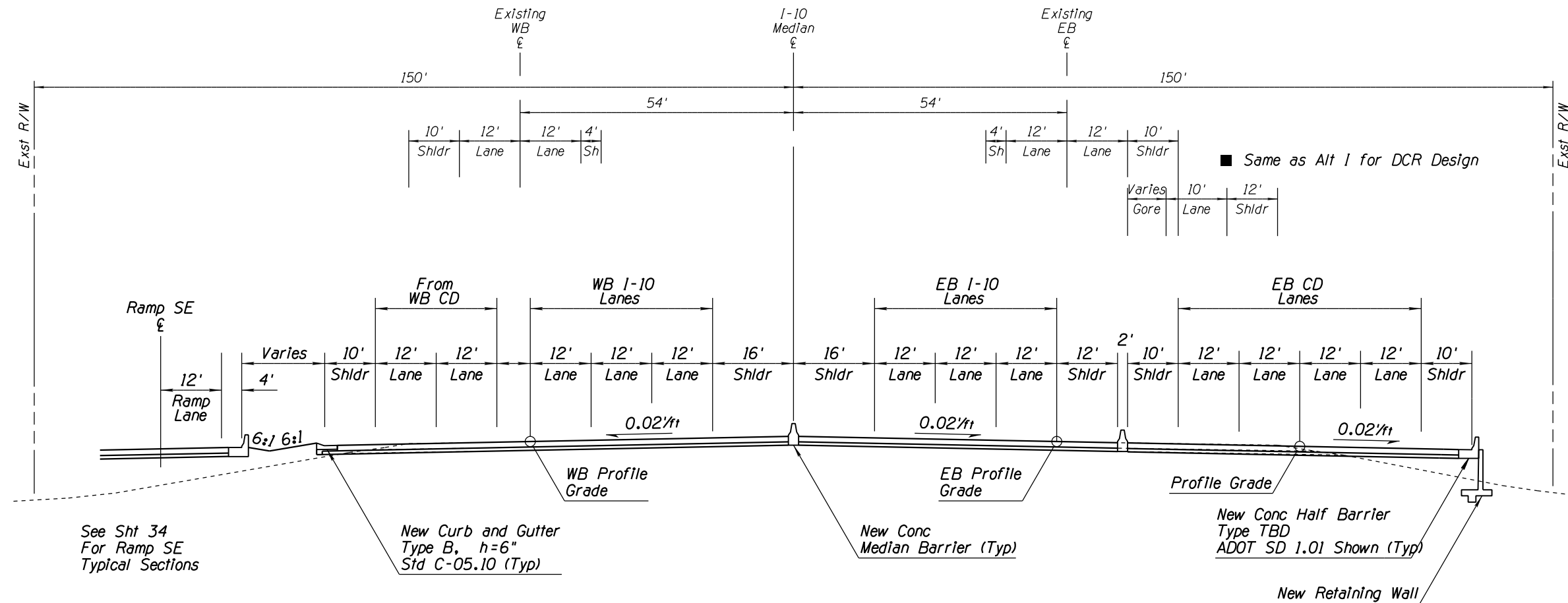
# APPENDIX J

DESIGN	MKO/JBC	10-17	ARIZONA DEPARTMENT OF TRANSPORTATION INFRASTRUCTURE DELIVERY & OPERATIONS DIVISION <b>ROADWAY DESIGN SERVICES</b>	PRELIMINARY NOT FOR CONSTRUCTION OR RECORDING
DRAWN	SR/JLM	10-17		
CHECKED	PNB	12-17		
<b>JACOBS</b>			DESIGN SHEET I-10 SYSTEM ALT IV TYPICAL SECTIONS	
ROUTE	I-10 - JCT. I-19 TO KOLB ROAD			
	SR 210 - GOLF LINKS ROAD TO I-10			SHEET TYP-12
TRACS NO. H7825 OIL			010-E(210)S	OF

SURVEY NO. FINISHED PLANS. DATE. REVISIONS. LOCATION. DATE. FINISHED PLANS. SURVEY NO.

F.H.W.A. REGION	STATE	PROJECT NO.	SHEET NO.	TOTAL SHEETS	RECORD DRAWING
9	ARIZ.	010-E(210)S	13	46	

010 PM 260



See Sht 34  
For Ramp SE  
Typical Sections

**TYPICAL SECTION**  
 I-10 System Alternative IV  
 Elevated Mainline  
 At SR 210 System Interchange  
 Inside Widening  
 Med Sta 581+50 to Med PC 591+04.78

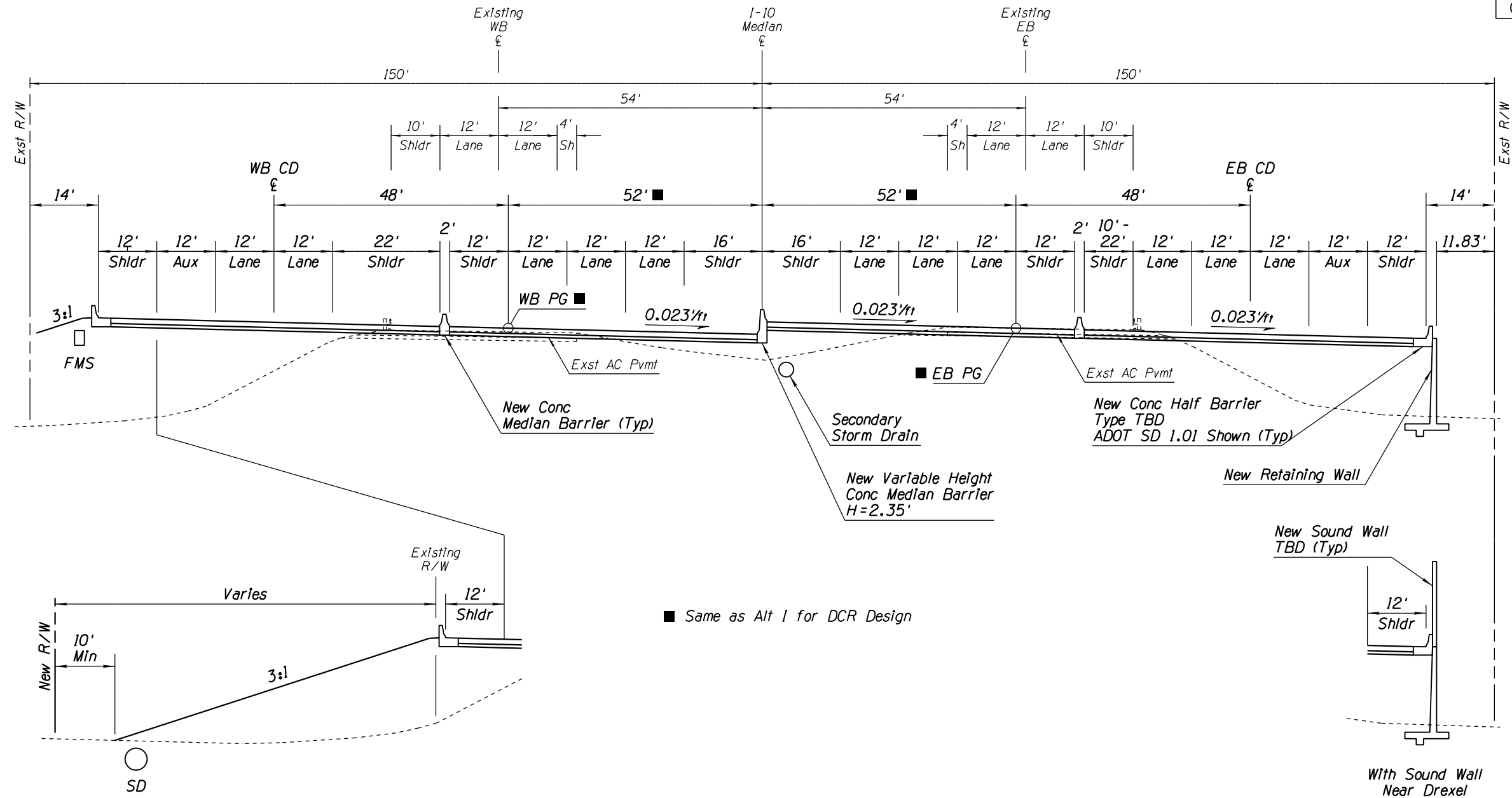
**APPENDIX J**

DESIGN	MKO/JBC	10-17	ARIZONA DEPARTMENT OF TRANSPORTATION INFRASTRUCTURE DELIVERY & OPERATIONS DIVISION <b>ROADWAY DESIGN SERVICES</b>	PRELIMINARY NOT FOR CONSTRUCTION OR RECORDING
DRAWN	SR/JLM	10-17		
CHECKED	PNB	12-17		
<b>JACOBS</b>			DESIGN SHEET I-10 SYSTEM ALT IV TYPICAL SECTIONS	SHEET TYP-13
ROUTE	LOCATION	I-10 - JCT. I-19 TO KOLB ROAD SR 210 - GOLF LINKS ROAD TO I-10		
TRACS NO.	H7825 OIL	010-E(210)S		OF

SURVEY NO. FINISHED PLANS DATE REVISIONS LOCATION DATE

F.H.W.A. REGION	STATE	PROJECT NO.	SHEET NO.	TOTAL SHEETS	RECORD DRAWING
9	ARIZ.	010-E(210)S	14	46	

010 PM 260



■ Same as Alt I for DCR Design

**TYPICAL SECTION**  
 I-10 System Alternative IV  
 Elevated Mainline  
 Curve East of Alvernon  
 Inside Widening  
 Med PC 591+04.78 to Med PT 634+85.33

# APPENDIX J

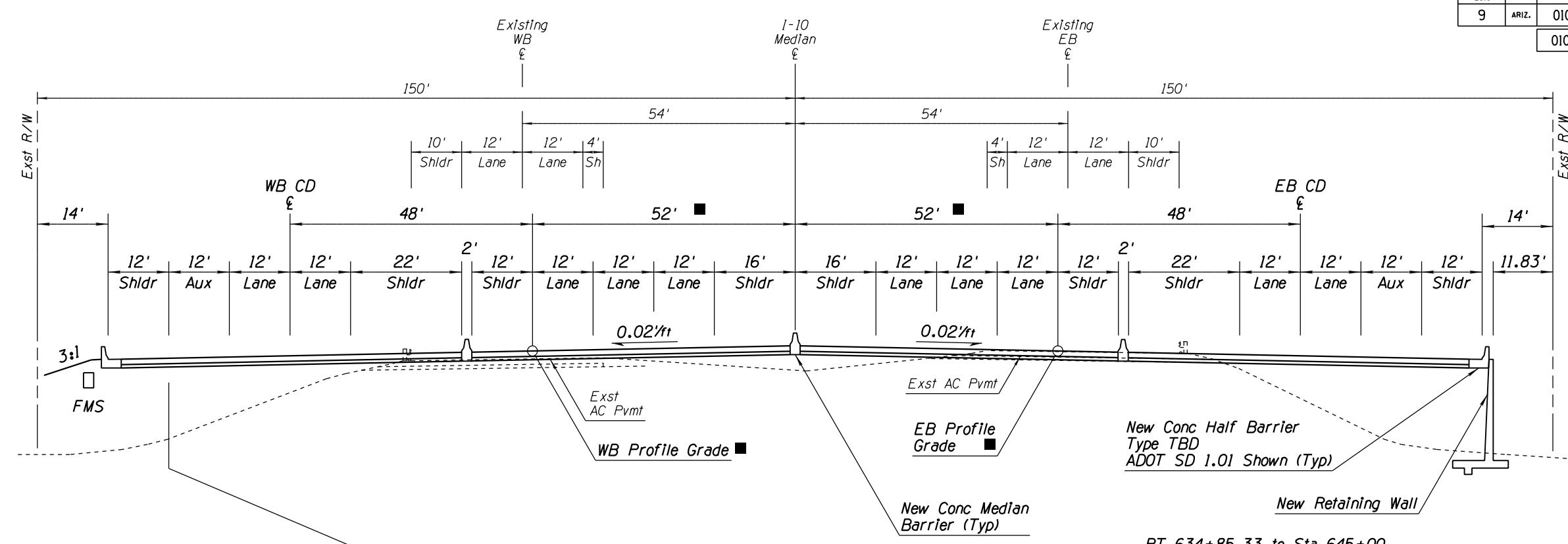
DESIGN	NAME	DATE	ARIZONA DEPARTMENT OF TRANSPORTATION INFRASTRUCTURE DELIVERY & OPERATIONS DIVISION		PRELIMINARY NOT FOR CONSTRUCTION OR RECORDING
DRAWN	MKO/JBC	10-17	ROADWAY DESIGN SERVICES		
CHECKED	SR/JLM	10-17	DESIGN SHEET I-10 SYSTEM ALT IV TYPICAL SECTIONS		
	PNB	12-17	ROUTE LOCATION I-10 - JCT. I-19 TO KOLB ROAD SR 210 - GOLF LINKS ROAD TO I-10		SHEET TYP-14
TRACS NO. H7825 OIL			010-E(210)S		OF

SURVEY NO. FINISHED PLANS DATE REVISIONS LOCATION DATE FINISHED PLANS SURVEY NO. DATE

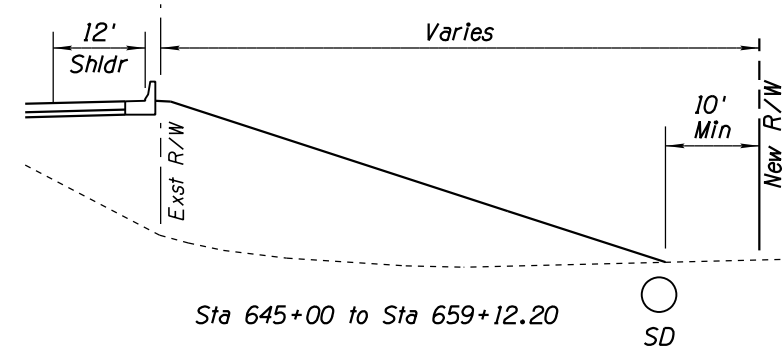
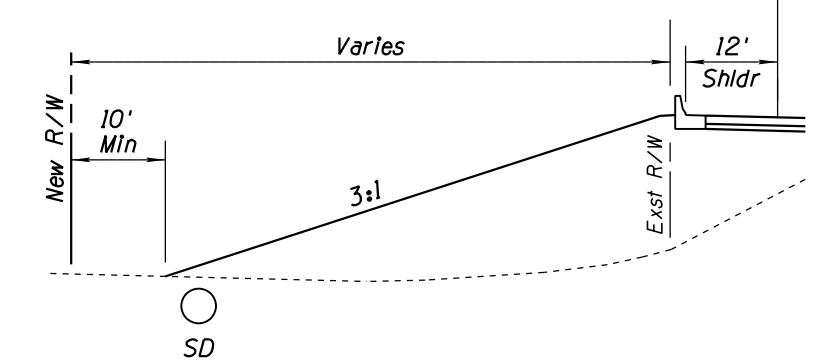


F.H.W.A. REGION	STATE	PROJECT NO.	SHEET NO.	TOTAL SHEETS	RECORD DRAWING
9	ARIZ.	010-E(210)S	15	46	

010 PM 260



■ Same as Alt I for DCR Design



**TYPICAL SECTION**  
 I-10 System Alternative IV  
 Elevated Mainline  
 Drexel to Valencia  
 Inside Widening  
 Med PT 634+85.33 to Med PC 659+12.20

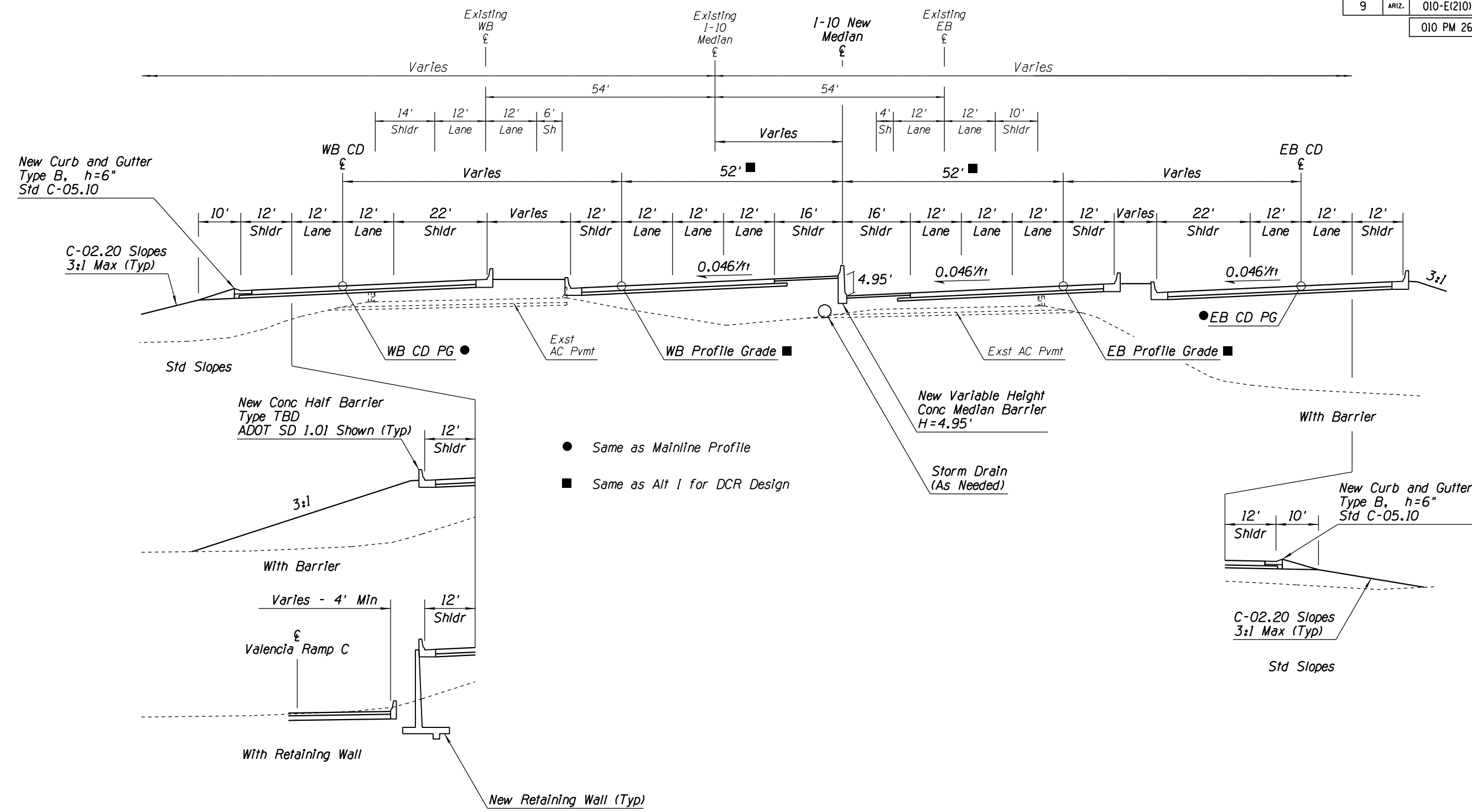
# APPENDIX J

DESIGN	MKO/JBC	10-17	ARIZONA DEPARTMENT OF TRANSPORTATION INFRASTRUCTURE DELIVERY & OPERATIONS DIVISION <b>ROADWAY DESIGN SERVICES</b>	PRELIMINARY NOT FOR CONSTRUCTION OR RECORDING
DRAWN	SR/JLM	10-17		
CHECKED	PNB	12-17		
<b>JACOBS</b>			DESIGN SHEET I-10 SYSTEM ALT IV TYPICAL SECTIONS	
ROUTE	LOCATION	I-10 - JCT. I-19 TO KOLB ROAD SR 210 - GOLF LINKS ROAD TO I-10		SHEET TYP-15
TRACS NO. H7825 OIL			010-E(210)S	OF

SURVEY NO. FINISHED PLANS DATE REVISIONS LOCATION DATE FINISHED PLANS SURVEY NO. REVISIONS LOCATION DATE

F.H.W.A. REGION	STATE	PROJECT NO.	SHEET NO.	TOTAL SHEETS	RECORD DRAWING
9	ARIZ.	010-E(210)S	16	46	

010 PM 260



- Same as Mainline Profile
- Same as Alt I for DCR Design

**TYPICAL SECTION**  
 I-10 System Alternative I  
 Elevated Mainline  
 Curve at Valencia  
 Alignment Shift to 18' West  
 Inside Widening  
 Med PC 659+12.20 to Med PT 688+41.02

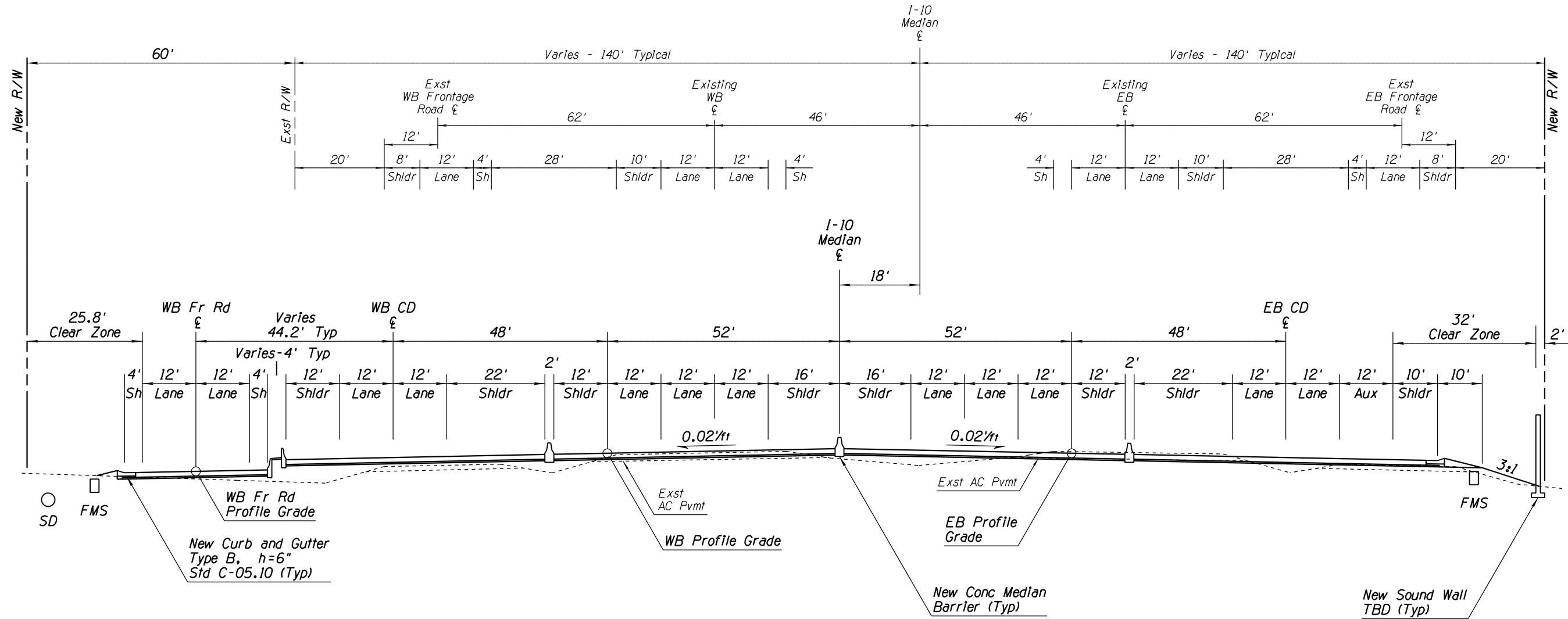
# APPENDIX J

DESIGN	MKO/JBC	DATE	10-17	ARIZONA DEPARTMENT OF TRANSPORTATION INFRASTRUCTURE DELIVERY & OPERATIONS DIVISION <b>ROADWAY DESIGN SERVICES</b>	PRELIMINARY NOT FOR CONSTRUCTION OR RECORDING
DRAWN	SR/JLM	DATE	10-17		
CHECKED	PNB	DATE	12-17		
<b>JACOBS</b>		DESIGN SHEET I-10 SYSTEM ALT IV TYPICAL SECTIONS			
ROUTE	I-10	LOCATION	I-10 - JCT. I-19 TO KOLB ROAD SR 210 - GOLF LINKS ROAD TO I-10	SHEET TYP-16	
TRACS NO.	H7825 OIL	010-E(210)S		OF	

SURVEY NO. FINISHED PLANS. DATE REVISIONS. LOCATION. DATE REVISIONS. FINISHED PLANS. SURVEY NO.

F.H.W.A. REGION	STATE	PROJECT NO.	SHEET NO.	TOTAL SHEETS	RECORD DRAWING
9	ARIZ.	010-E(210)S	17	46	

010 PM 260



**TYPICAL SECTION**  
 I-10 System Alternative IV  
 Elevated Mainline  
 Shift I-10 18' Left  
 WB Frontage Road  
 Valencia East Gores to Craycroft West Gores  
 Med Sta PT 688+41.02 to Med Sta 714+00

# APPENDIX J

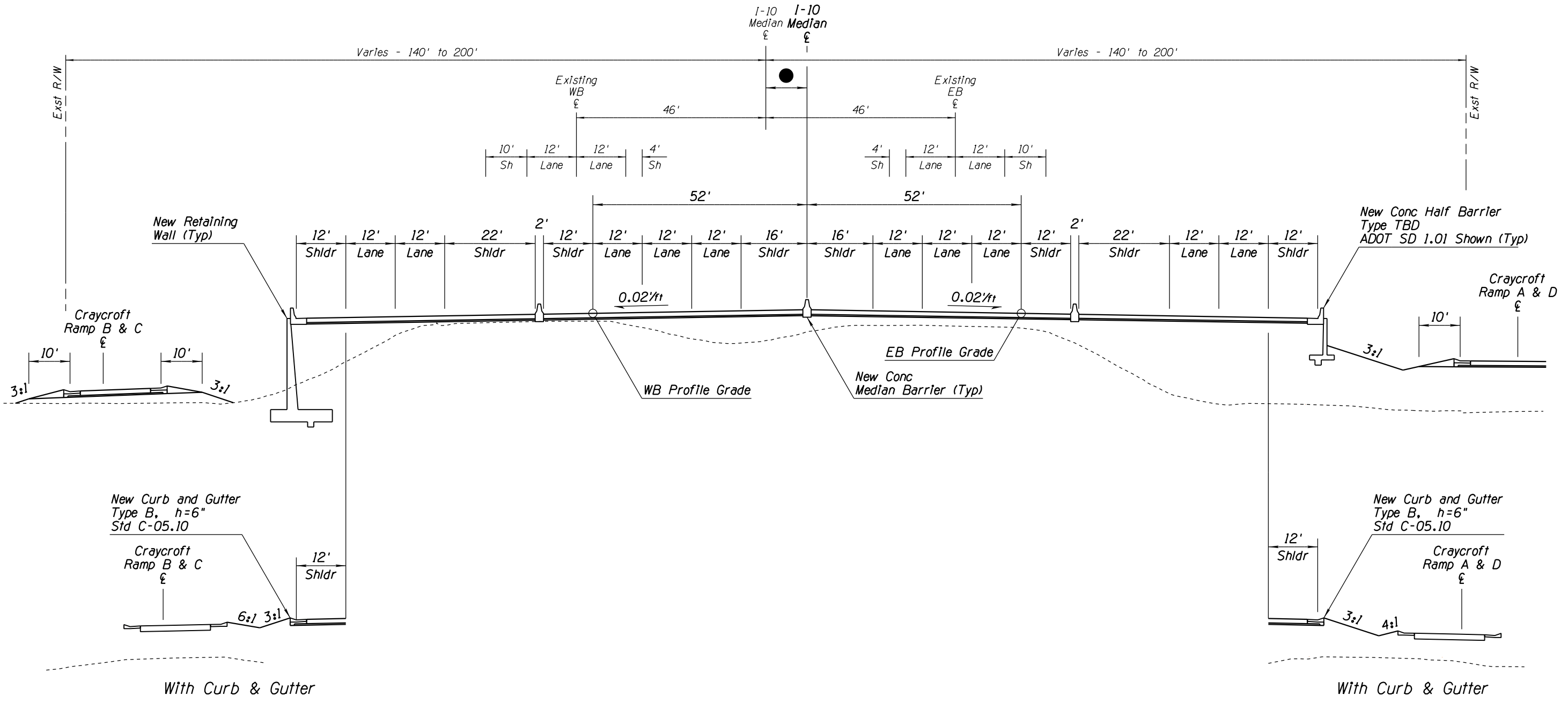
DESIGN	MKO/JBC	10-17	ARIZONA DEPARTMENT OF TRANSPORTATION INFRASTRUCTURE DELIVERY & OPERATIONS DIVISION <b>ROADWAY DESIGN SERVICES</b>	PRELIMINARY NOT FOR CONSTRUCTION OR RECORDING
DRAWN	SR/JLM	10-17		
CHECKED	PNB	12-17		
<b>JACOBS</b>			DESIGN SHEET I-10 SYSTEM ALT IV TYPICAL SECTIONS	
ROUTE	LOCATION	I-10 - JCT. I-19 TO KOLB ROAD SR 210 - GOLF LINKS ROAD TO I-10		SHEET TYP-17
TRACS NO. H7825 OIL			010-E(210)S	OF

SURVEY NO. FINISHED PLANS DATE REVISIONS LOCATION DATE FINISHED PLANS SURVEY NO. REVISIONS LOCATION DATE

F.H.W.A. REGION	STATE	PROJECT NO.	SHEET NO.	TOTAL SHEETS	RECORD DRAWING
9	ARIZ.	010-E(210)S	18	46	

010 PM 260

● *Varies-*  
 18' Left at Sta PC 707+42.45 to  
 18' Right at Sta PT 720+43.10



**TYPICAL SECTION**  
 I-10 System Alternative IV  
 Elevated Mainline  
 Craycroft West Gores to Craycroft East Gores  
 Shift I-10 From 18' Left to 18' Right  
 Med Sta 714+00 to Med Sta 736+00

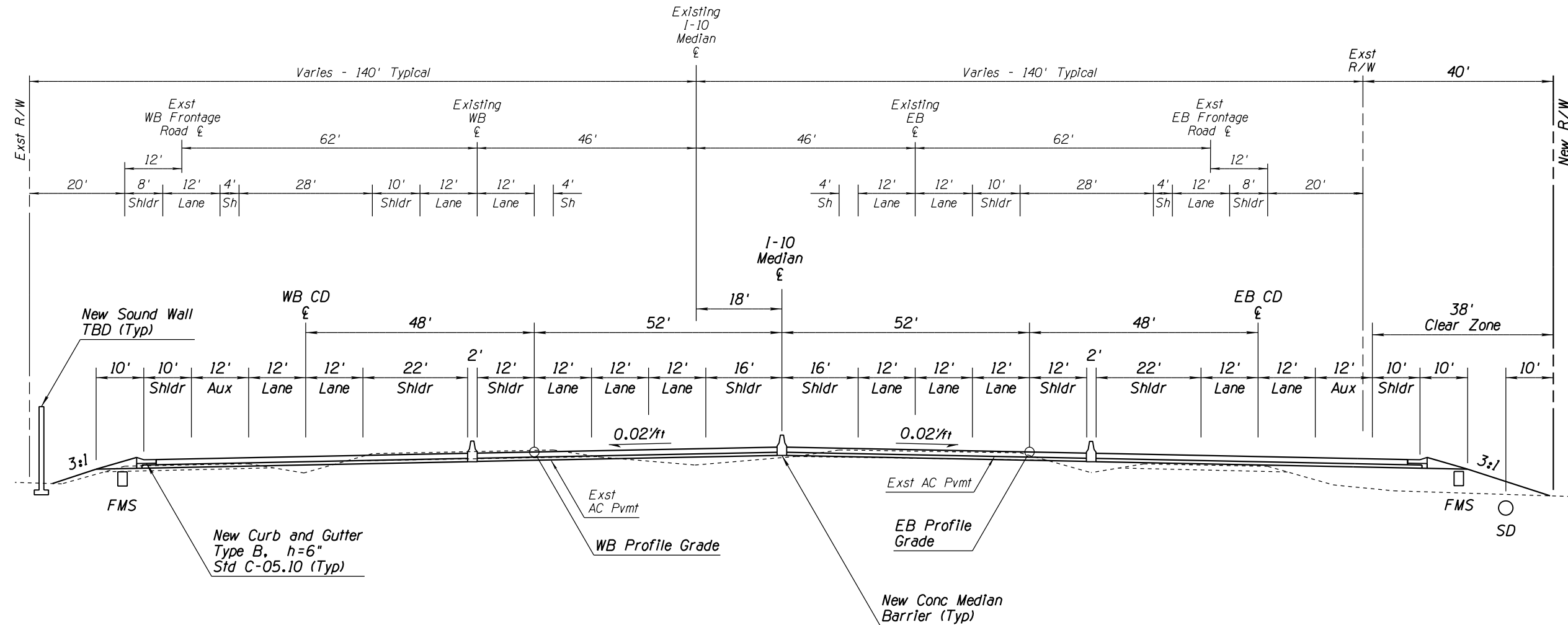
**APPENDIX J**

DESIGN	MKO/JBC	DATE	10-17	ARIZONA DEPARTMENT OF TRANSPORTATION INFRASTRUCTURE DELIVERY & OPERATIONS DIVISION <b>ROADWAY DESIGN SERVICES</b>	PRELIMINARY NOT FOR CONSTRUCTION OR RECORDING
DRAWN	SR/JLM	DATE	10-17		
CHECKED	PNB	DATE	12-17		
<b>JACOBS</b>		DESIGN SHEET I-10 SYSTEM ALT IV TYPICAL SECTIONS		SHEET TYP-18	
ROUTE	I-10	LOCATION	I-10 - JCT. I-19 TO KOLB ROAD SR 210 - GOLF LINKS ROAD TO I-10		
TRACS NO.	H7825 OIL	PROJECT NO.	010-E(210)S	OF	

SURVEY NO. FINISHED PLANS DATE REVISIONS LOCATION DATE REVISIONS FINISHED PLANS DATE SURVEY NO.

F.H.W.A. REGION	STATE	PROJECT NO.	SHEET NO.	TOTAL SHEETS	RECORD DRAWING
9	ARIZ.	010-E(210)S	19	46	

010 PM 260



**TYPICAL SECTION**  
 I-10 System Alternative IV  
 Elevated Mainline  
 Craycroft East Gores to Wilmot West Gores  
 Shift I-10 18' to Right  
 Med Sta 736+00 to Med Sta 779+00

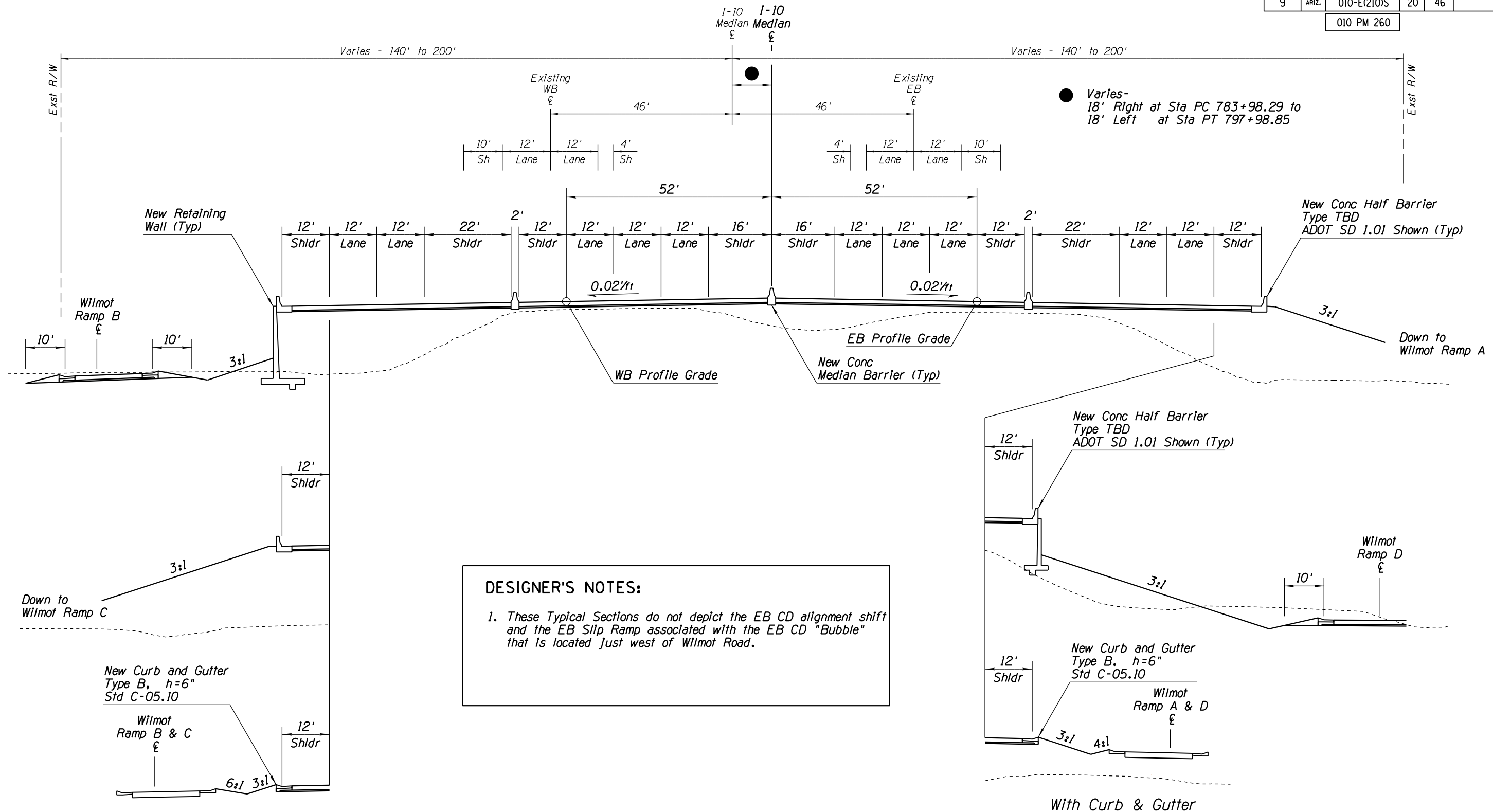
# APPENDIX J

DESIGN	MKO/JBC	DATE	10-17	ARIZONA DEPARTMENT OF TRANSPORTATION INFRASTRUCTURE DELIVERY & OPERATIONS DIVISION <b>ROADWAY DESIGN SERVICES</b>	PRELIMINARY NOT FOR CONSTRUCTION OR RECORDING
DRAWN	SR/JLM	DATE	10-17		
CHECKED	PNB	DATE	12-17		
<b>JACOBS</b>		DESIGN SHEET I-10 SYSTEM ALT IV TYPICAL SECTIONS			
ROUTE	I-10	LOCATION	I-10 - JCT. I-19 TO KOLB ROAD SR 210 - GOLF LINKS ROAD TO I-10	SHEET TYP-19	
TRACS NO.	H7825 OIL	010-E(210)S		OF	

SURVEY NO. FINISHED PLANS. DATE. REVISIONS. LOCATION. DATE. FINISHED PLANS. SURVEY NO.

F.H.W.A. REGION	STATE	PROJECT NO.	SHEET NO.	TOTAL SHEETS	RECORD DRAWING
9	ARIZ.	010-E(210)S	20	46	

010 PM 260

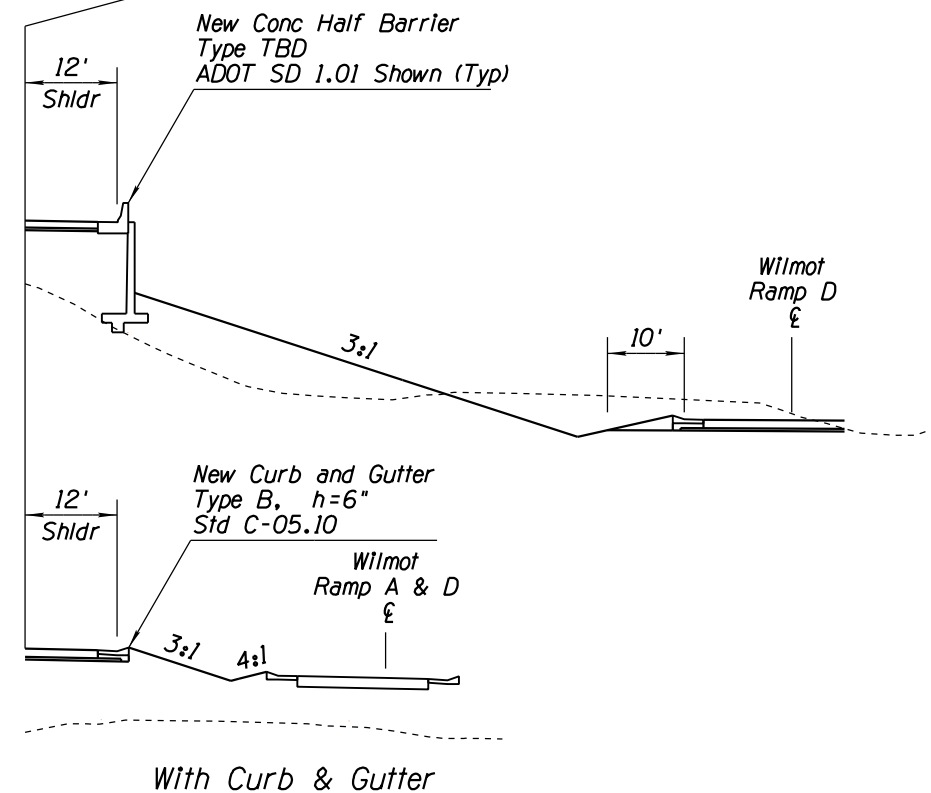


● *Varies - 18' Right at Sta PC 783+98.29 to 18' Left at Sta PT 797+98.85*

**DESIGNER'S NOTES:**

1. These Typical Sections do not depict the EB CD alignment shift and the EB Slip Ramp associated with the EB CD "Bubble" that is located just west of Wilmot Road.

**TYPICAL SECTION**  
 I-10 System Alternative IV  
 Elevated Mainline  
 Wilmot West Gores to Wilmot East Gores  
 Shift I-10 From 18' Right to 18' Left  
 Med Sta 779+00 to Med Sta 803+00



*With Curb & Gutter*

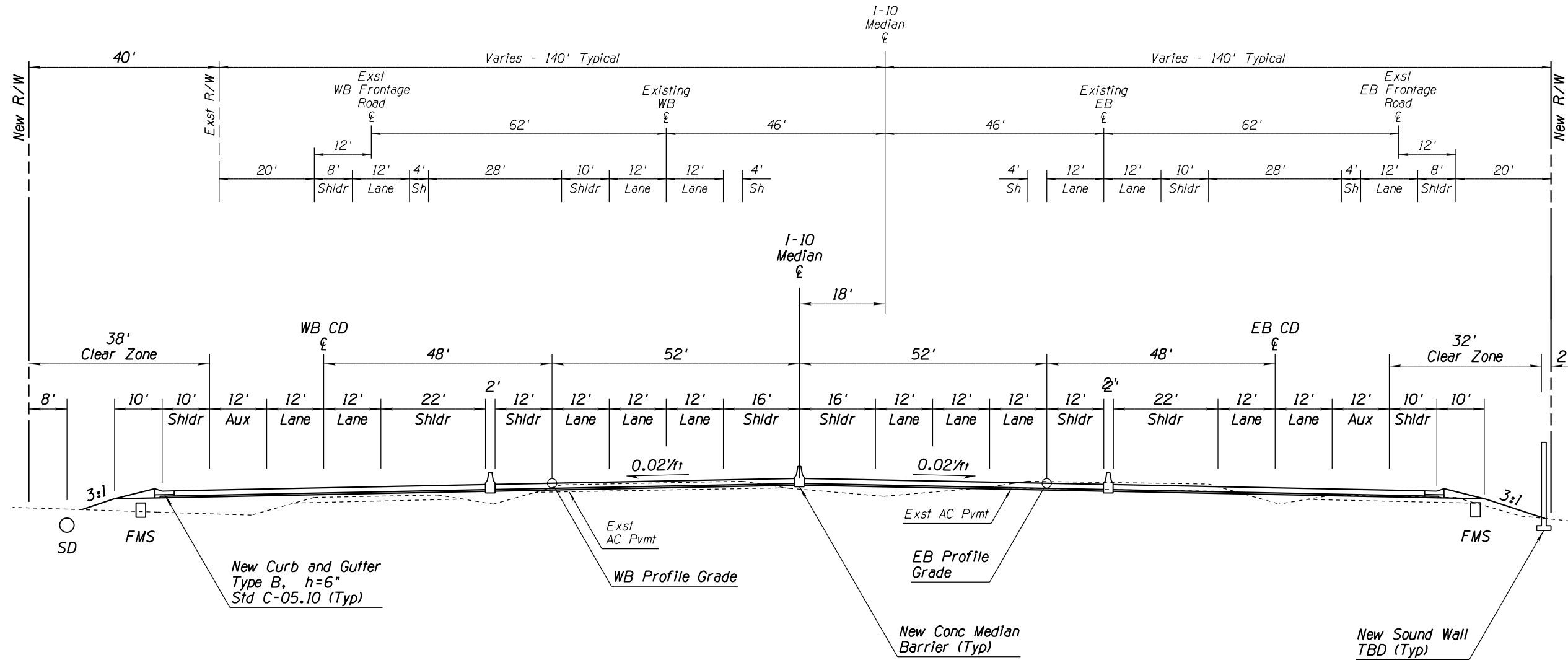
**APPENDIX J**

DESIGN	MKO/JBC	10-17	ARIZONA DEPARTMENT OF TRANSPORTATION INFRASTRUCTURE DELIVERY & OPERATIONS DIVISION <b>ROADWAY DESIGN SERVICES</b>	PRELIMINARY NOT FOR CONSTRUCTION OR RECORDING
DRAWN	SR/JLM	10-17		
CHECKED	PNB	12-17		
<b>JACOBS</b>			DESIGN SHEET I-10 SYSTEM ALT IV TYPICAL SECTIONS	SHEET TYP-20
ROUTE	LOCATION	I-10 - JCT. I-19 TO KOLB ROAD SR 210 - GOLF LINKS ROAD TO I-10		
TRACS NO.	H7825 OIL	010-E(210)S		OF

SURVEY NO. FINISHED PLANS DATE REVISIONS LOCATION DATE

F.H.W.A. REGION	STATE	PROJECT NO.	SHEET NO.	TOTAL SHEETS	RECORD DRAWING
9	ARIZ.	010-E(210)S	21	46	

010 PM 260



**TYPICAL SECTION**  
 I-10 System Alternative IV  
 Elevated Mainline  
 Shift I-10 18' Left  
 Wilmot East Gores to Kolb West Gores  
 Med Sta 803+00 to Med Sta 839+00

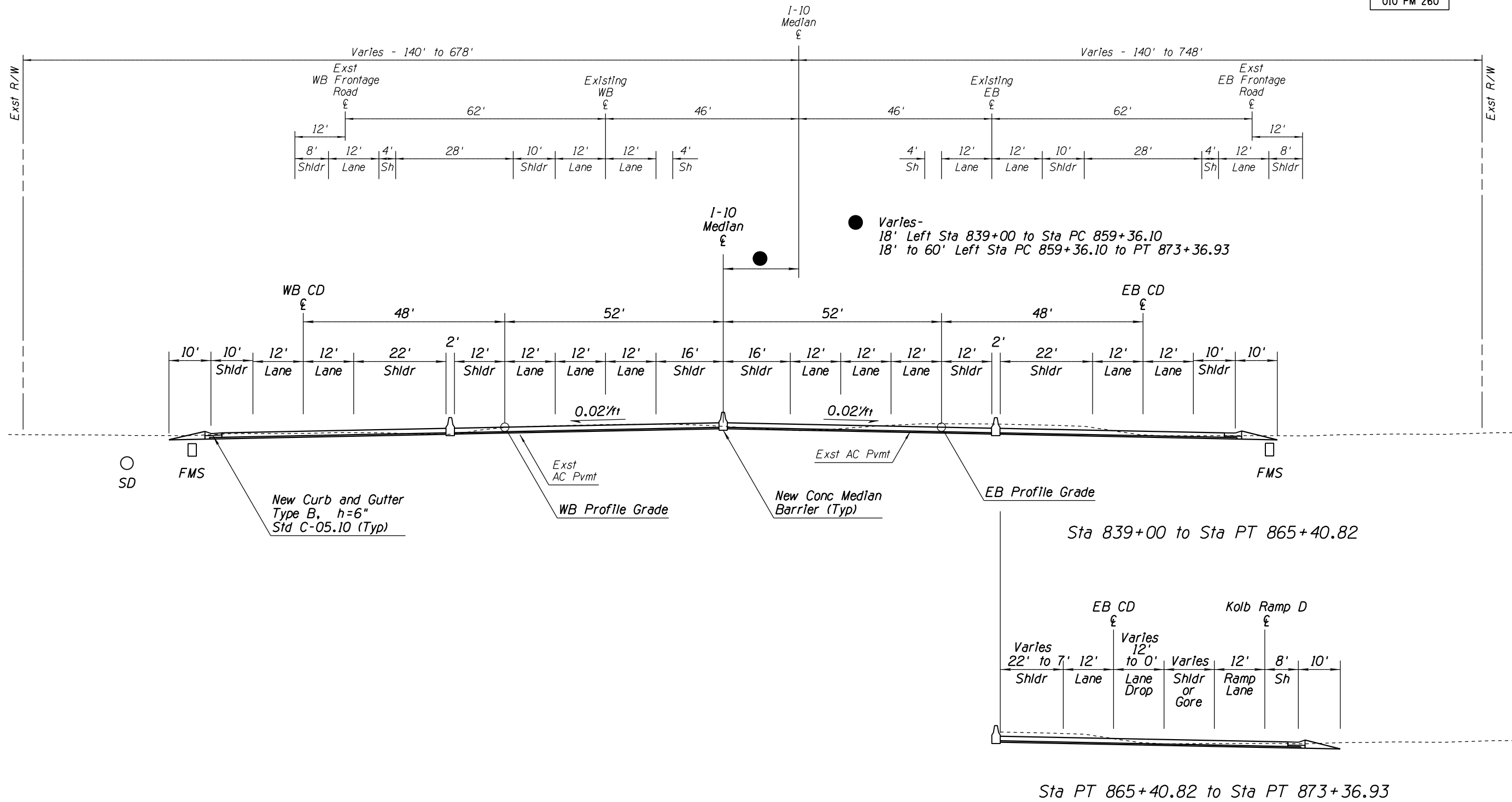
# APPENDIX J

DESIGN	MKO/JBC	10-17	ARIZONA DEPARTMENT OF TRANSPORTATION INFRASTRUCTURE DELIVERY & OPERATIONS DIVISION <b>ROADWAY DESIGN SERVICES</b>	PRELIMINARY NOT FOR CONSTRUCTION OR RECORDING
DRAWN	SR/JLM	10-17		
CHECKED	PNB	12-17		
<b>JACOBS</b>			DESIGN SHEET I-10 SYSTEM ALT IV TYPICAL SECTIONS	
ROUTE	LOCATION	I-10 - JCT. I-19 TO KOLB ROAD SR 210 - GOLF LINKS ROAD TO I-10		SHEET TYP-21
TRACS NO. H7825 OIL			010-E(210)S	OF

SURVEY NO. FINISHED PLANS DATE REVISIONS LOCATION DATE FINISHED PLANS SURVEY NO. REVISIONS LOCATION DATE

F.H.W.A. REGION	STATE	PROJECT NO.	SHEET NO.	TOTAL SHEETS	RECORD DRAWING
9	ARIZ.	010-E(210)S	22	46	

010 PM 260



**TYPICAL SECTION**  
 1-10 System Alternative IV  
 Elevated Mainline  
 Kolb West Gores to Kolb East Gores  
 Shift 1-10 From 18' Left to 60' Left  
 Med Sta 839+00 to Med Sta PT 873+36.93

# APPENDIX J

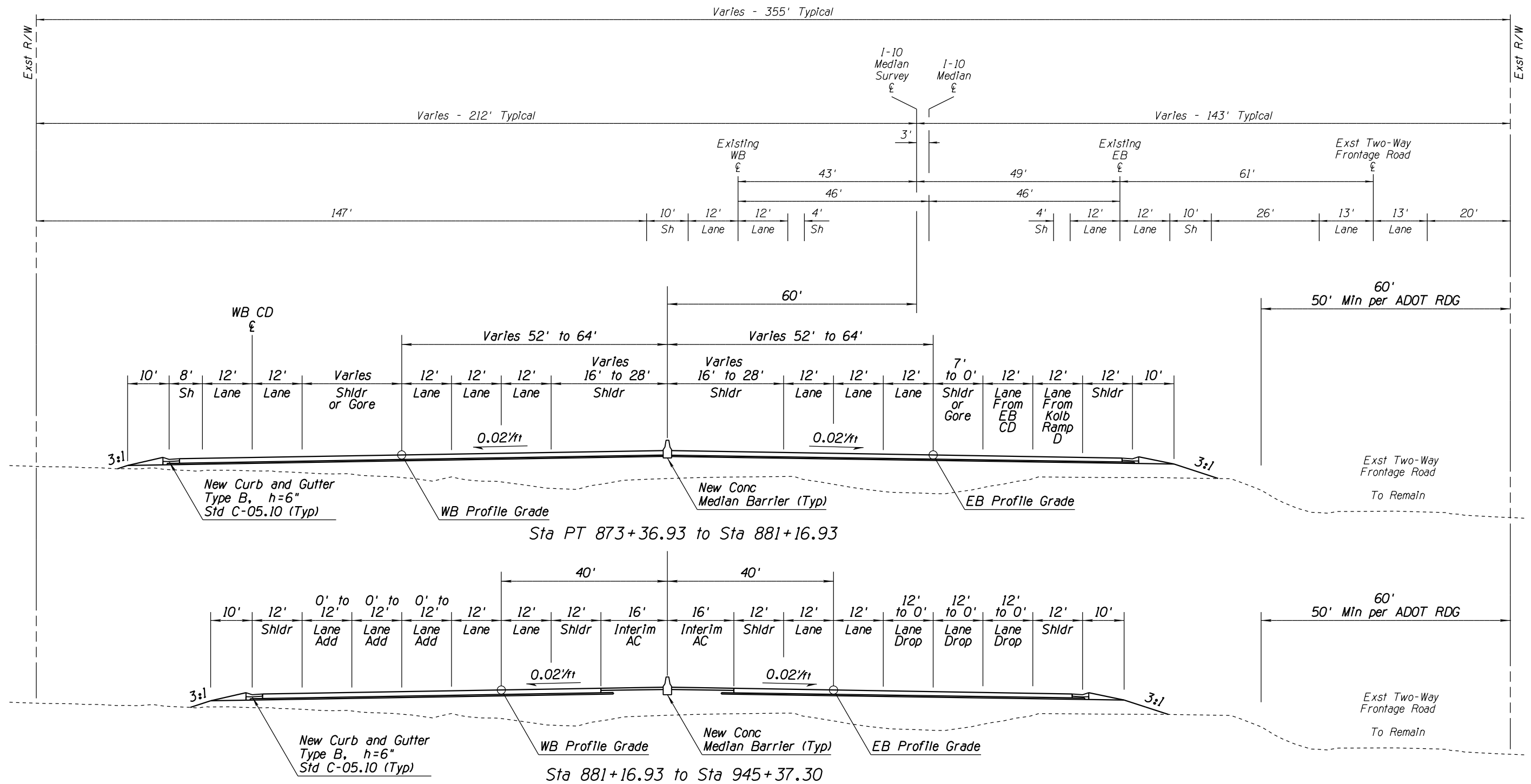
DESIGN	MKO/JBC	DATE	10-17	ARIZONA DEPARTMENT OF TRANSPORTATION INFRASTRUCTURE DELIVERY & OPERATIONS DIVISION <b>ROADWAY DESIGN SERVICES</b>	PRELIMINARY NOT FOR CONSTRUCTION OR RECORDING
DRAWN	SR/JLM	DATE	10-17		
CHECKED	PNB	DATE	12-17		
<b>JACOBS</b>		DESIGN SHEET 1-10 SYSTEM ALT IV TYPICAL SECTIONS			
ROUTE	1-10	LOCATION	1-10 - JCT. I-19 TO KOLB ROAD SR 210 - GOLF LINKS ROAD TO I-10		SHEET TYP-22
TRACS NO.	H7825 OIL		010-E(210)S	OF	

SURVEY NO. FINISHED PLANS. DATE REVISIONS. LOCATION. DATE



F.H.W.A. REGION	STATE	PROJECT NO.	SHEET NO.	TOTAL SHEETS	RECORD DRAWING
9	ARIZ.	010-E(210)S	23	46	

010 PM 260



**TYPICAL SECTION**  
 I-10 System Alternative I  
 Elevated Mainline  
 Kolb East Gores to End  
 Shift I-10 60' Left to 0'  
 Med Sta PT 873+36.93 to Med Sta 945+37.30

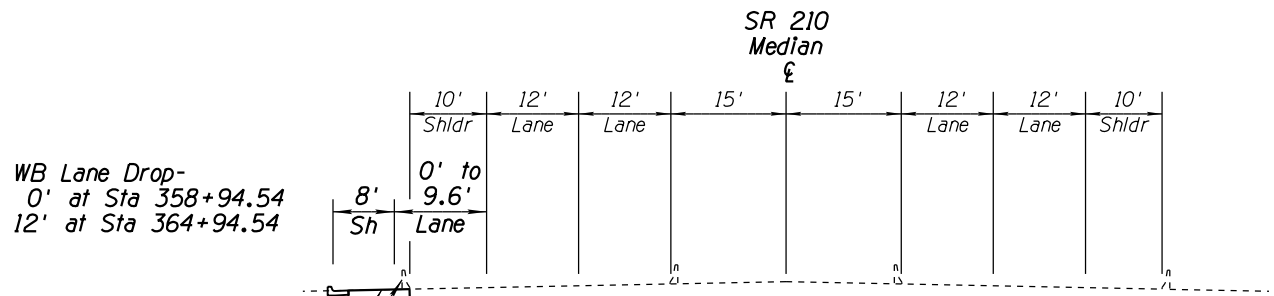
# APPENDIX J

DESIGN	MKO/JBC	10-17	ARIZONA DEPARTMENT OF TRANSPORTATION INFRASTRUCTURE DELIVERY & OPERATIONS DIVISION <b>ROADWAY DESIGN SERVICES</b>	PRELIMINARY NOT FOR CONSTRUCTION OR RECORDING
DRAWN	SR/JLM	10-17		
CHECKED	PNB	12-17		
<b>JACOBS</b>			DESIGN SHEET I-10 SYSTEM ALT IV TYPICAL SECTIONS	
ROUTE	LOCATION	I-10 - JCT. I-19 TO KOLB ROAD SR 210 - GOLF LINKS ROAD TO I-10		SHEET TYP-23
TRACS NO. H7825 OIL			010-E(210)S	OF

SURVEY NO. FINISHED PLANS. DATE. REVISIONS. LOCATION. DATE.

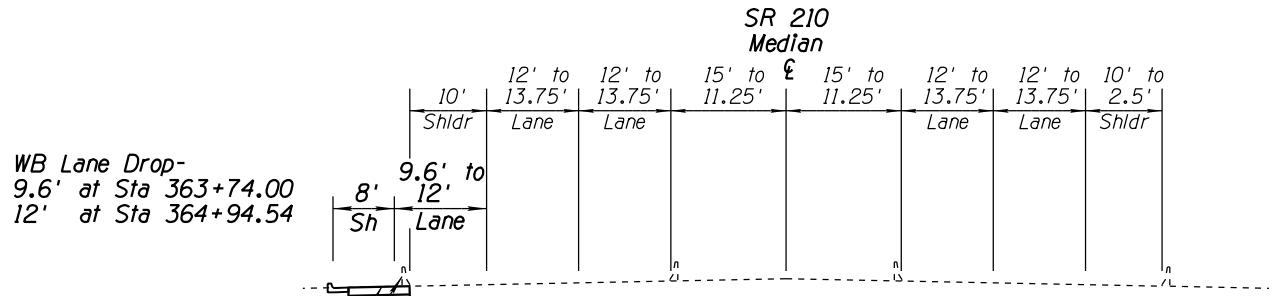
F.H.W.A. REGION	STATE	PROJECT NO.	SHEET NO.	TOTAL SHEETS	RECORD DRAWING
9	ARIZ.	010-E(210)S	24	46	

010 PM 260



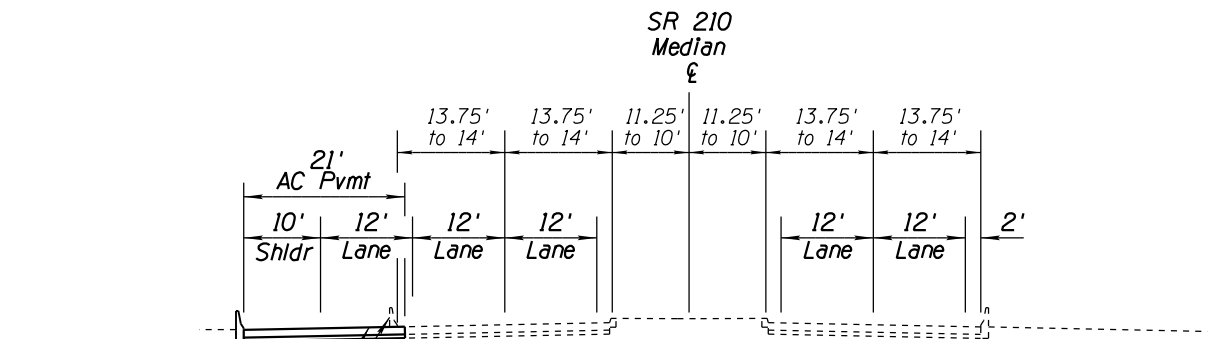
**TYPICAL SECTION**

SR 210  
At-Grade Mainline  
Tangent Section  
Sta 368+66.00 to Sta 363+74.00



**TYPICAL SECTION**

SR 210  
At-Grade Mainline  
Tangent Section  
Sta 363+74.00 to Richey Blvd



**TYPICAL SECTION**

SR 210  
At-Grade Mainline  
Tangent Section  
Richey Blvd to Sta 368+66.00

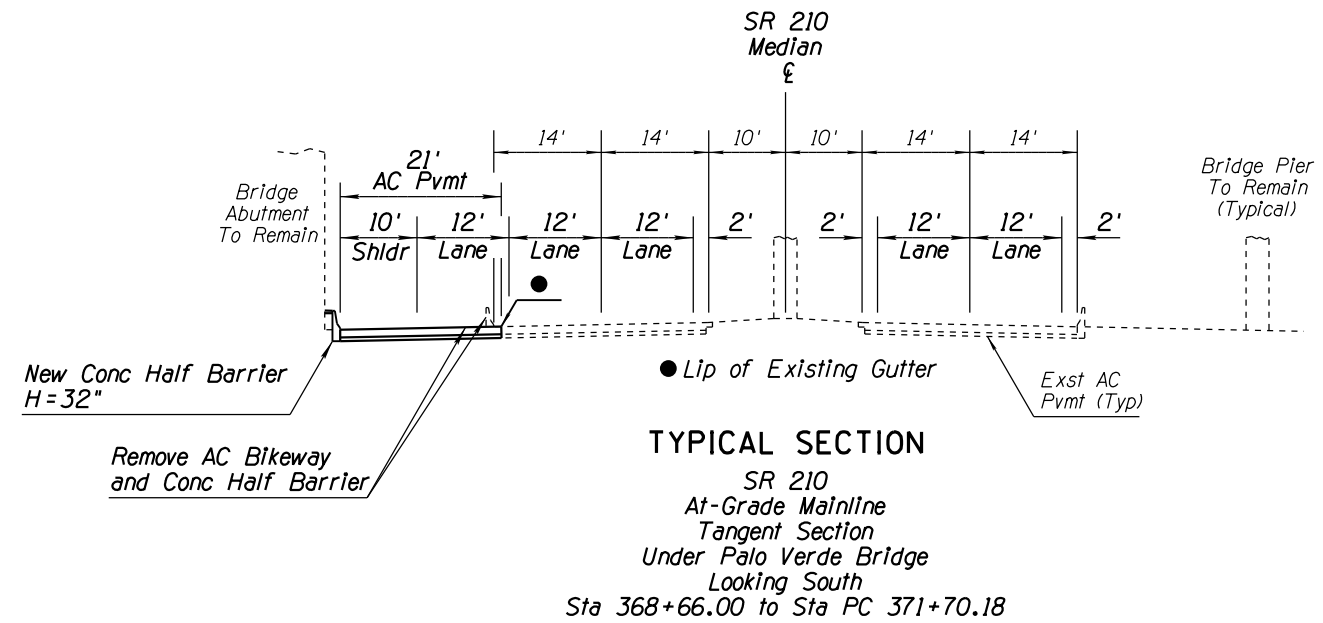
**APPENDIX J**

DESIGN	MKO/JBC	DATE	10-17	ARIZONA DEPARTMENT OF TRANSPORTATION INFRASTRUCTURE DELIVERY & OPERATIONS DIVISION <b>ROADWAY DESIGN SERVICES</b>	PRELIMINARY NOT FOR CONSTRUCTION OR RECORDING
DRAWN	SR/JLM	DATE	10-17		
CHECKED	PNB	DATE	12-17		
<b>JACOBS</b>		DESIGN SHEET		SR 210 SYSTEM ALT IV TYPICAL SECTIONS	
ROUTE	SR 210	LOCATION	I-10 - JCT. I-19 TO KOLB ROAD SR 210 - GOLF LINKS ROAD TO I-10		SHEET TYP-24
TRACS NO.	H7825 01L	010-E(210)S		OF	

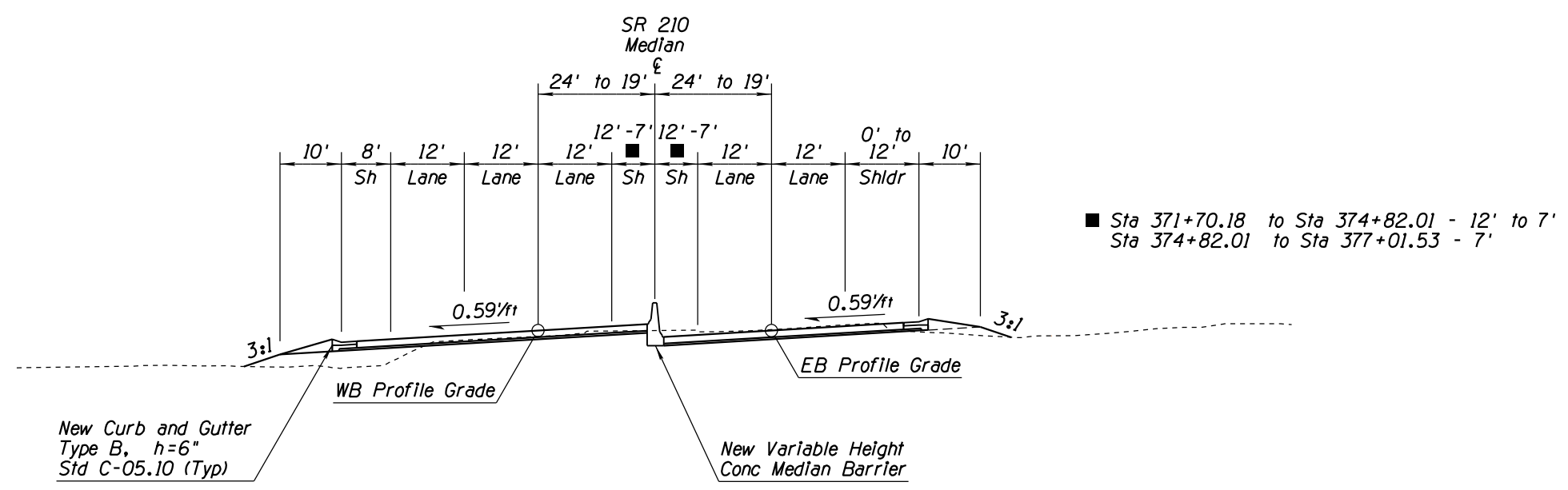
DATE- LOCATION- REVISIONS- FINISHED PLANS- SURVEY NO. DATE- LOCATION- REVISIONS- FINISHED PLANS- SURVEY NO.

F.H.W.A. REGION	STATE	PROJECT NO.	SHEET NO.	TOTAL SHEETS	RECORD DRAWING
9	ARIZ.	010-E(210)S	25	46	

010 PM 260



**TYPICAL SECTION**  
 SR 210  
 At-Grade Mainline  
 Tangent Section  
 Under Palo Verde Bridge  
 Looking South  
 Sta 368+66.00 to Sta PC 371+70.18



**TYPICAL SECTION**  
 SR 210  
 Elevated Mainline  
 Superelevated Section  
 Palo Verde Bridge to GL Ramp EN Gore  
 Sta PC 371+70.18 to Sta 377+01.53

■ Sta 371+70.18 to Sta 374+82.01 - 12' to 7'  
 Sta 374+82.01 to Sta 377+01.53 - 7'

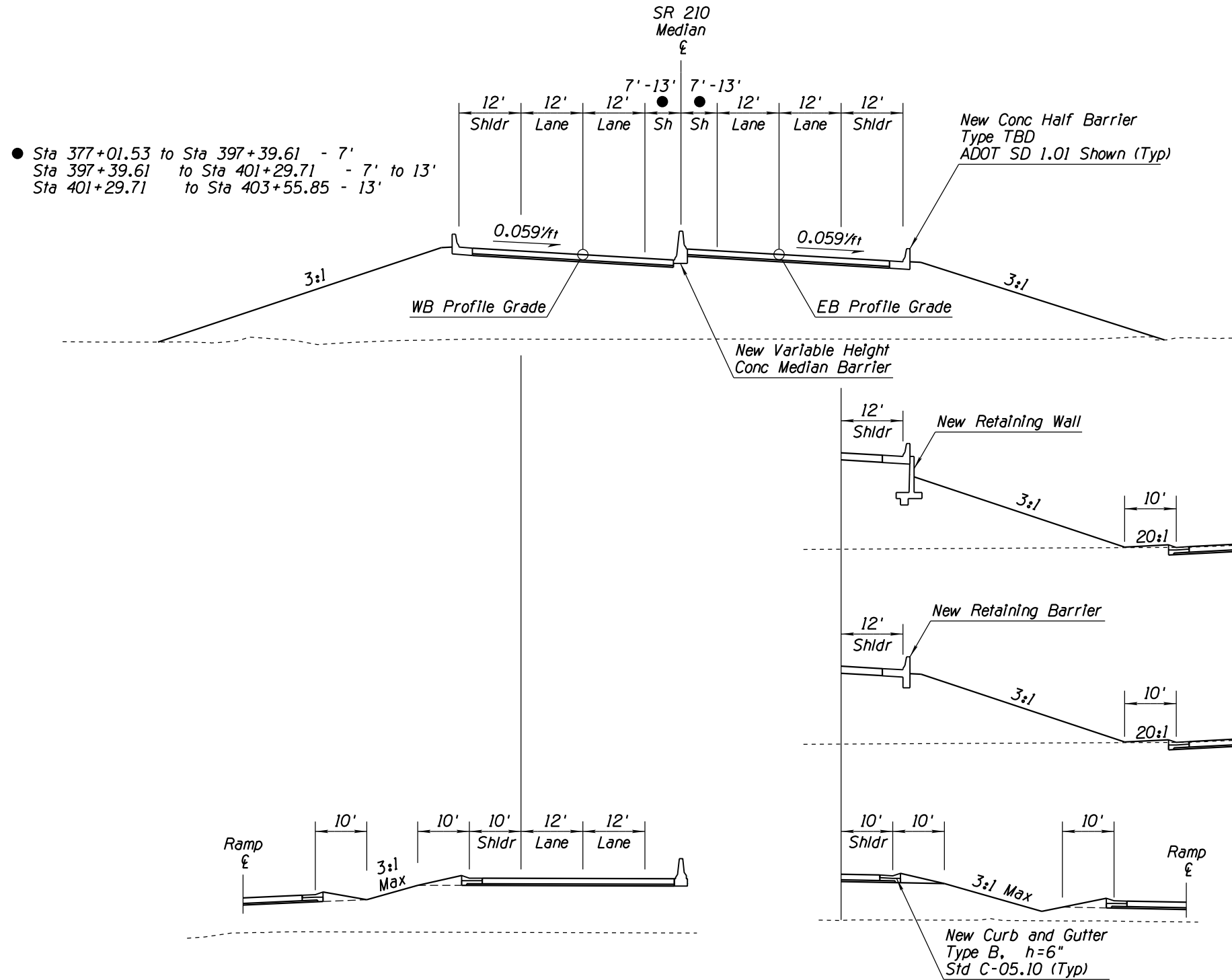
# APPENDIX J

DESIGN	MKO/JBC	DATE	10-17	ARIZONA DEPARTMENT OF TRANSPORTATION INFRASTRUCTURE DELIVERY & OPERATIONS DIVISION <b>ROADWAY DESIGN SERVICES</b>	PRELIMINARY NOT FOR CONSTRUCTION OR RECORDING
DRAWN	SR/JLM	DATE	10-17		
CHECKED	PNB	DATE	12-17		
<b>JACOBS</b>		DESIGN SHEET SR 210 SYSTEM ALT IV TYPICAL SECTIONS		SHEET TYP-25	
ROUTE	SR 210	LOCATION	I-10 - JCT. I-19 TO KOLB ROAD SR 210 - GOLF LINKS ROAD TO I-10		
TRACS NO.	H7825 01L		010-E(210)S		OF

SURVEY NO. FINISHED PLANS LOCATION DATE REVISIONS FINISHED PLANS SURVEY NO. LOCATION DATE REVISIONS FINISHED PLANS SURVEY NO.

F.H.W.A. REGION	STATE	PROJECT NO.	SHEET NO.	TOTAL SHEETS	RECORD DRAWING
9	ARIZ.	010-E(210)S	26	46	

010 PM 260



TYPICAL SECTION  
 SR 210  
 Elevated Mainline  
 Superelevated Section  
 GL Ramp EN Gore to GL Ramp WN Gore  
 Sta 377+01.53 to Sta 403+55.85

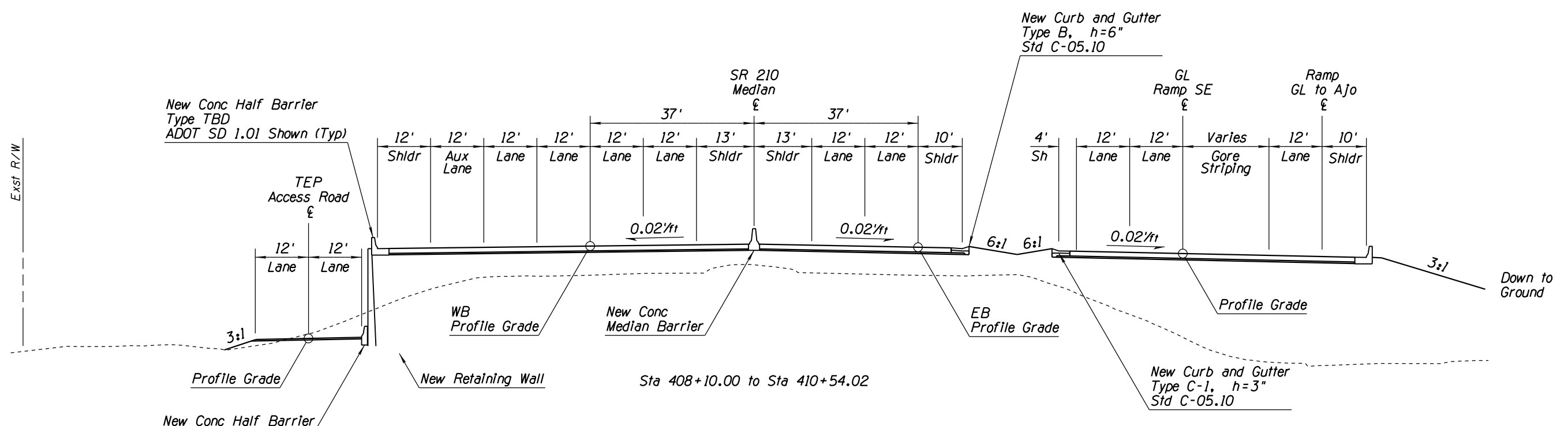
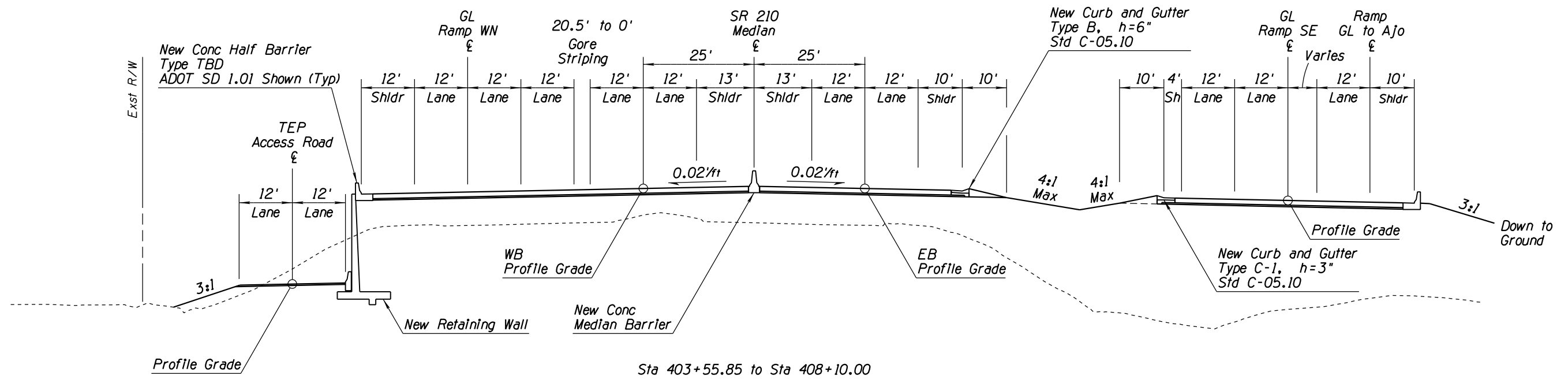
# APPENDIX J

DESIGN	MKO/JBC	10-17	ARIZONA DEPARTMENT OF TRANSPORTATION INFRASTRUCTURE DELIVERY & OPERATIONS DIVISION <b>ROADWAY DESIGN SERVICES</b>	PRELIMINARY NOT FOR CONSTRUCTION OR RECORDING
DRAWN	SR/JLM	10-17		
CHECKED	PNB	12-17		
<b>JACOBS</b>			DESIGN SHEET SR 210 SYSTEM ALT IV TYPICAL SECTIONS	
ROUTE	LOCATION	I-10 - JCT. I-19 TO KOLB ROAD SR 210 - SR 210 - GOLF LINKS ROAD TO I-10		SHEET TYP-26
TRACS NO.	H7825 OIL	010-E(210)S		OF

SURVEY NO. FINISHED PLANS DATE REVISIONS LOCATION DATE REVISIONS SURVEY NO. FINISHED PLANS DATE REVISIONS SURVEY NO. FINISHED PLANS DATE REVISIONS

F.H.W.A. REGION	STATE	PROJECT NO.	SHEET NO.	TOTAL SHEETS	RECORD DRAWING
9	ARIZ.	010-E(210)S	27	46	

010 PM 260



**TYPICAL SECTION**  
 SR 210  
 Elevated Mainline  
 Tangent Section  
 GL Ramp WN Gore to GL Ramp SE  
 Sta 403+55.85 to Sta 410+54.02

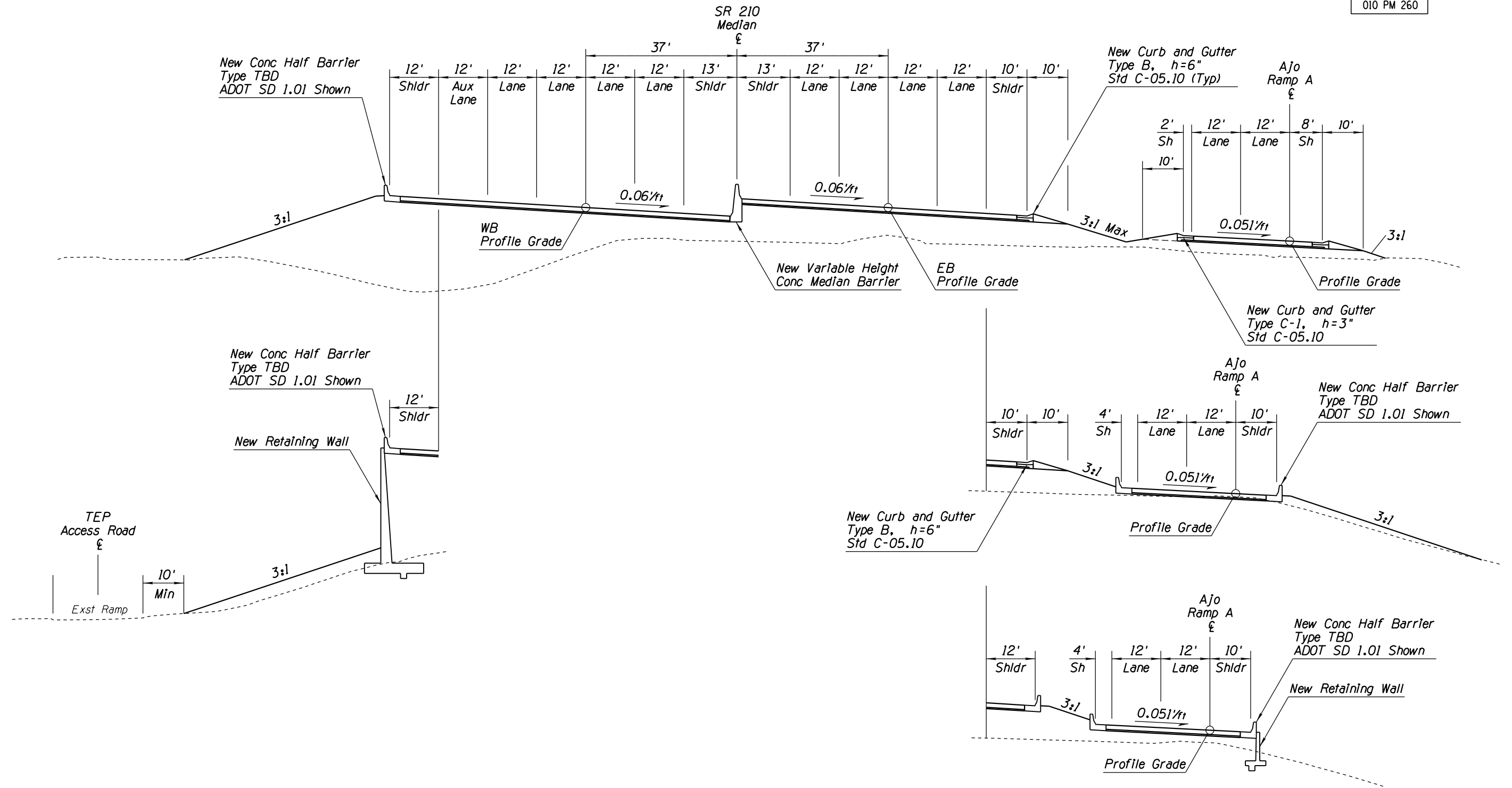
# APPENDIX J

DESIGN	MKO/JBC	10-17	ARIZONA DEPARTMENT OF TRANSPORTATION INFRASTRUCTURE DELIVERY & OPERATIONS DIVISION <b>ROADWAY DESIGN SERVICES</b>	PRELIMINARY NOT FOR CONSTRUCTION OR RECORDING
DRAWN	SR/JLM	10-17		
CHECKED	PNB	12-17		
<b>JACOBS</b>			DESIGN SHEET SR 210 SYSTEM ALT IV TYPICAL SECTIONS	
ROUTE	LOCATION	I-10 - JCT. I-19 TO KOLB ROAD SR 210 - SR 210 - GOLF LINKS ROAD TO I-10		SHEET TYP-27
TRACS NO.	H7825 OIL	010-E(210)S		OF

SURVEY NO. FINISHED PLANS DATE REVISIONS LOCATION DATE

F.H.W.A. REGION	STATE	PROJECT NO.	SHEET NO.	TOTAL SHEETS	RECORD DRAWING
9	ARIZ.	010-E(210)S	28	46	

010 PM 260



TYPICAL SECTION  
 SR 210  
 Elevated Mainline  
 Superelevated Section  
 GL Ramp SE Gore to UPRR  
 Sta 410+54.02 to Sta 432+50

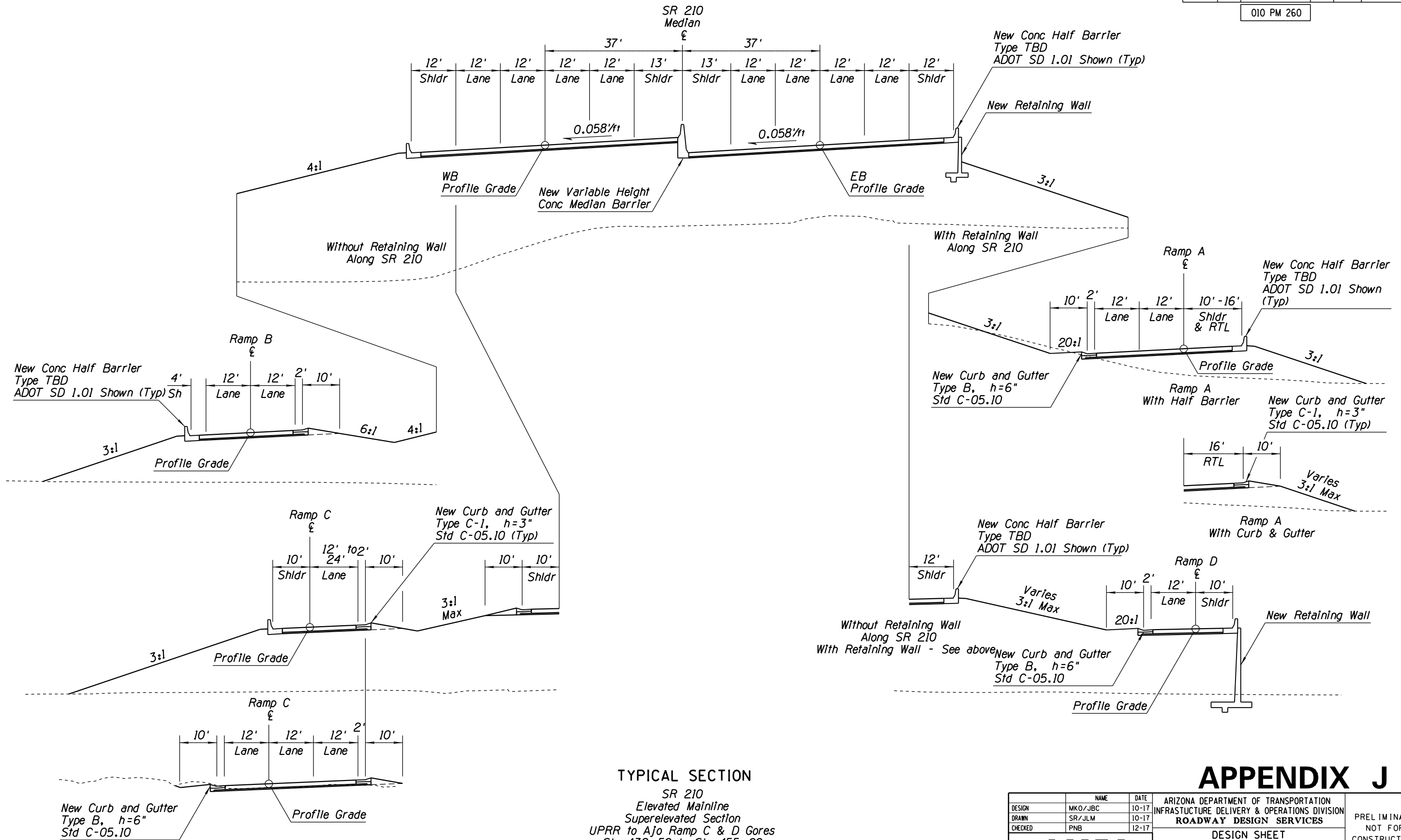
# APPENDIX J

DESIGN	MKO/JBC	10-17	ARIZONA DEPARTMENT OF TRANSPORTATION INFRASTRUCTURE DELIVERY & OPERATIONS DIVISION <b>ROADWAY DESIGN SERVICES</b>	PRELIMINARY NOT FOR CONSTRUCTION OR RECORDING
DRAWN	SR/JLM	10-17		
CHECKED	PNB	12-17		
<b>JACOBS</b>			DESIGN SHEET SR 210 SYSTEM ALT IV TYPICAL SECTIONS	
ROUTE	SR 210	LOCATION	I-10 - JCT. I-19 TO KOLB ROAD SR 210 - GOLF LINKS ROAD TO I-10	SHEET TYP-28
TRACS NO.	H7825 OIL		010-E(210)S	OF

SURVEY NO. FINISHED PLANS DATE REVISIONS LOCATION DATE REVISIONS FINISHED PLANS DATE SURVEY NO.

F.H.W.A. REGION	STATE	PROJECT NO.	SHEET NO.	TOTAL SHEETS	RECORD DRAWING
9	ARIZ.	010-E(210)S	29	46	

010 PM 260



**TYPICAL SECTION**  
 SR 210  
 Elevated Mainline  
 Superelevated Section  
 UPRR to Ajo Ramp C & D Gores  
 Sta 432+50 to Sta 455+00

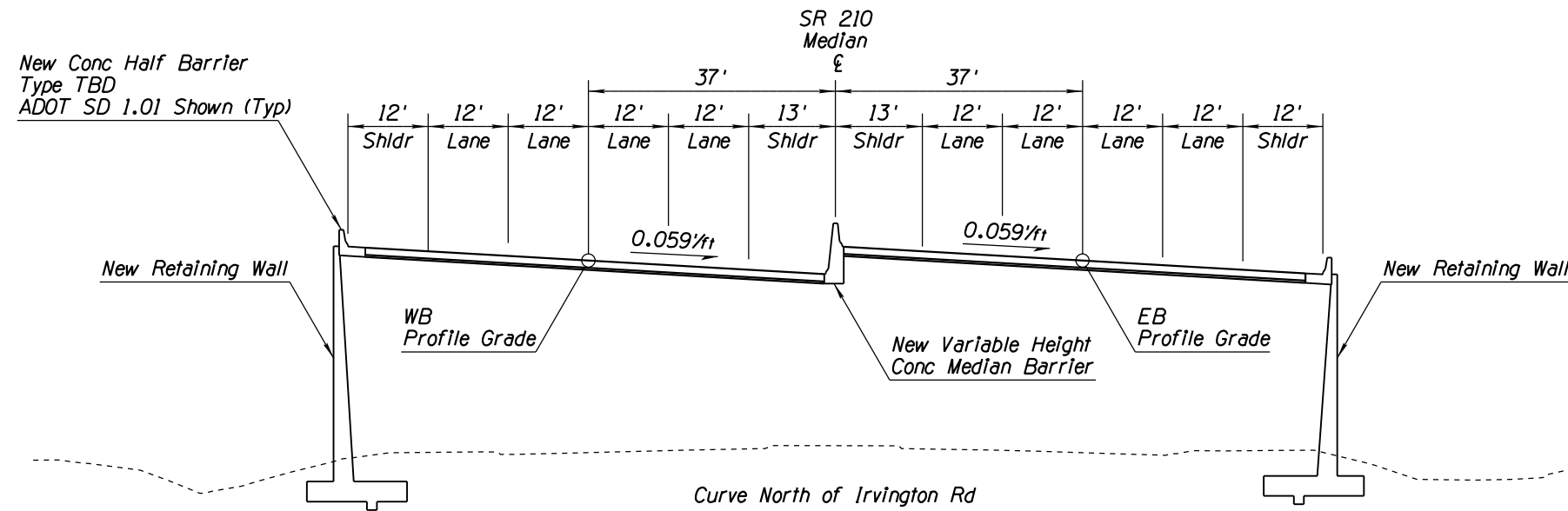
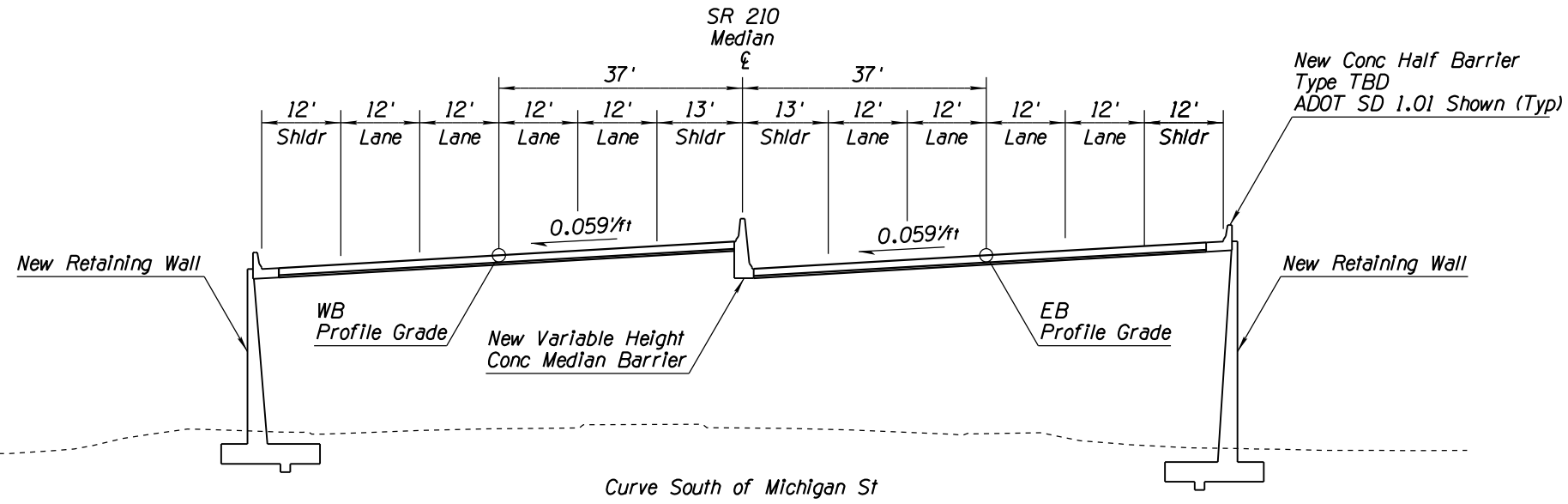
# APPENDIX J

DESIGN	MKO/JBC	DATE	10-17	ARIZONA DEPARTMENT OF TRANSPORTATION INFRASTRUCTURE DELIVERY & OPERATIONS DIVISION <b>ROADWAY DESIGN SERVICES</b>	PRELIMINARY NOT FOR CONSTRUCTION OR RECORDING
DRAWN	SR/JLM	DATE	10-17		
CHECKED	PNB	DATE	12-17		
<b>JACOBS</b>				DESIGN SHEET SR 210 SYSTEM ALT IV TYPICAL SECTIONS	SHEET TYP-29
ROUTE	SR 210	LOCATION	I-10 - JCT. I-19 TO KOLB ROAD SR 210 - GOLF LINKS ROAD TO I-10		
TRACS NO.	H7825 OIL			010-E(210)S	OF

SURVEY NO. FINISHED PLANS. DATE REVISIONS. LOCATION. DATE FINISHED PLANS. SURVEY NO.

F.H.W.A. REGION	STATE	PROJECT NO.	SHEET NO.	TOTAL SHEETS	RECORD DRAWING
9	ARIZ.	010-E(210)S	30	46	

010 PM 260



TYPICAL SECTION  
 SR 210  
 Elevated Mainline  
 Superelevated Sections  
 Ajo Ramp C & D Gores to Irvington Rd

# APPENDIX J

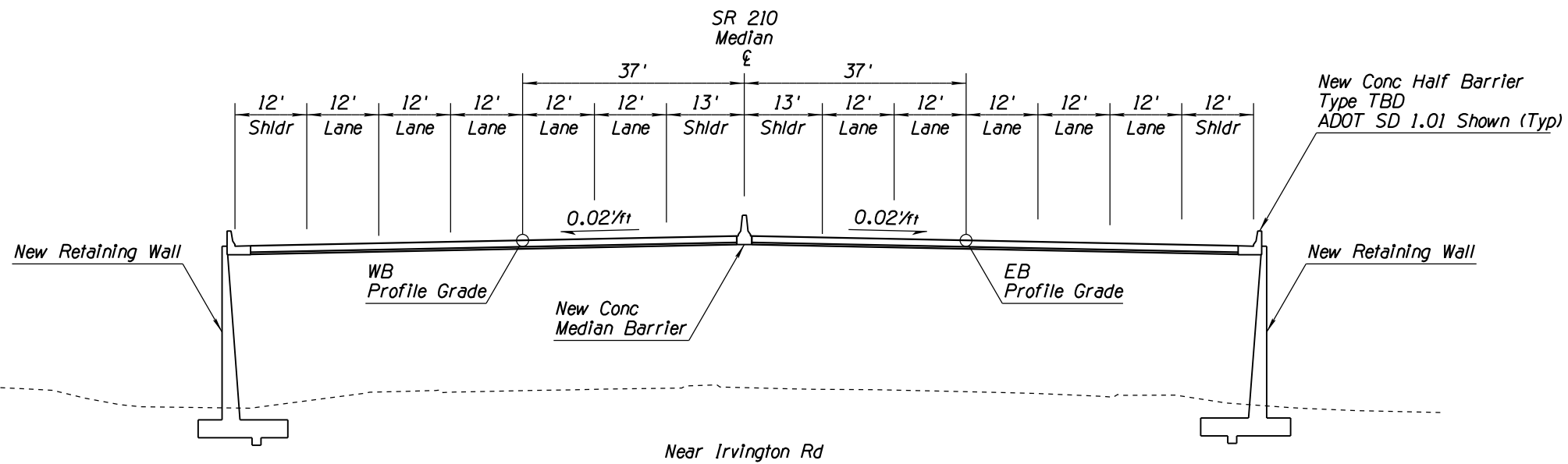
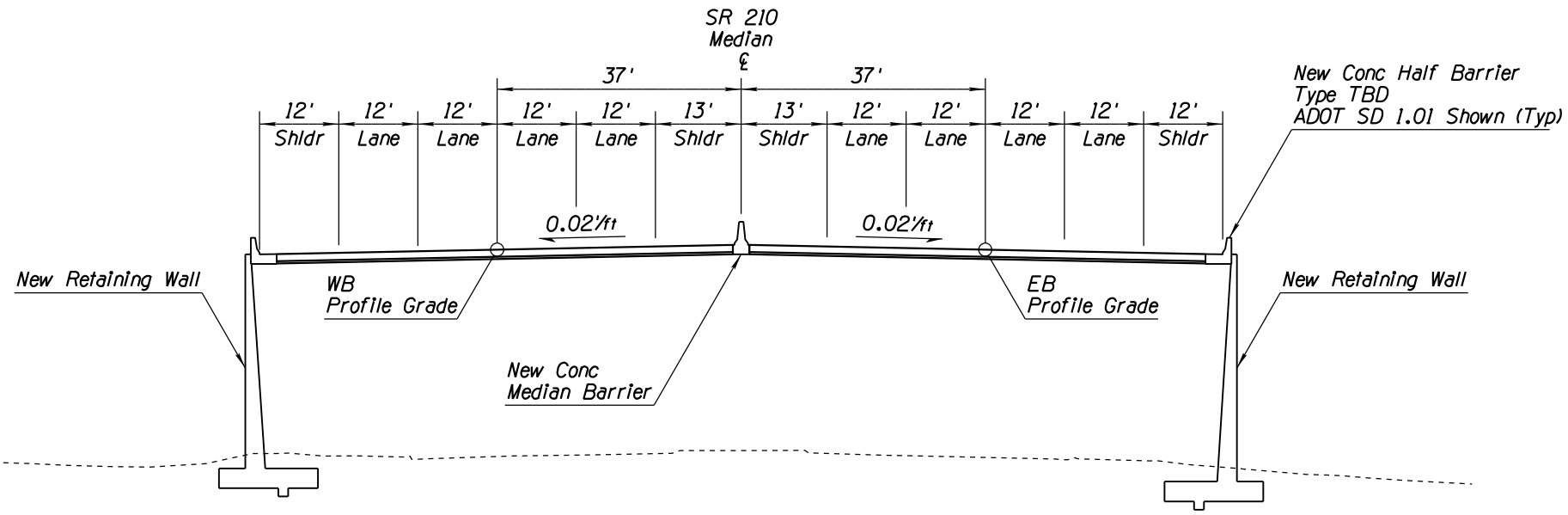
DESIGN	MKO/JBC	DATE	10-17	ARIZONA DEPARTMENT OF TRANSPORTATION INFRASTRUCTURE DELIVERY & OPERATIONS DIVISION <b>ROADWAY DESIGN SERVICES</b>	PRELIMINARY NOT FOR CONSTRUCTION OR RECORDING
DRAWN	SR/JLM	DATE	10-17		
CHECKED	PNB	DATE	12-17		
<b>JACOBS</b>			DESIGN SHEET SR 210 SYSTEM ALT IV TYPICAL SECTIONS		SHEET TYP-30
ROUTE	SR 210	LOCATION	I-10 - JCT. I-19 TO KOLB ROAD SR 210 - GOLF LINKS ROAD TO I-10		
TRACS NO. H7825 01L			010-E(210)S		OF

REVISIONS- FINISHED PLANS- SURVEY NO. DATE- LOCATION- DATE- REVISIONS- FINISHED PLANS- SURVEY NO. DATE-



F.H.W.A. REGION	STATE	PROJECT NO.	SHEET NO.	TOTAL SHEETS	RECORD DRAWING
9	ARIZ.	010-E(210)S	31	46	

010 PM 260



TYPICAL SECTION  
 SR 210  
 Elevated Mainline  
 Tangent Sections  
 Ajo Ramp C & D Gores to Irvington Rd  
 Sta 455+00 to Sta 490+00

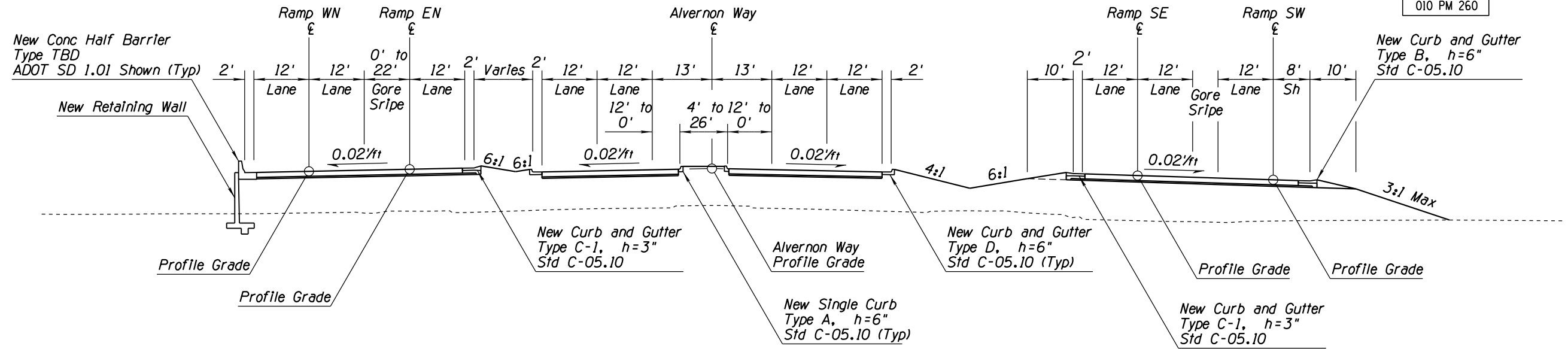
# APPENDIX J

DESIGN	MKO/JBC	DATE	10-17	ARIZONA DEPARTMENT OF TRANSPORTATION INFRASTRUCTURE DELIVERY & OPERATIONS DIVISION <b>ROADWAY DESIGN SERVICES</b>	PRELIMINARY NOT FOR CONSTRUCTION OR RECORDING
DRAWN	SR/JLM	DATE	10-17		
CHECKED	PNB	DATE	12-17		
<b>JACOBS</b>		DESIGN SHEET SR 210 SYSTEM ALT IV TYPICAL SECTIONS		SHEET TYP-31	
ROUTE	SR 210	LOCATION	I-10 - JCT. I-19 TO KOLB ROAD SR 210 - GOLF LINKS ROAD TO I-10		
TRACS NO. H7825 01L			010-E(210)S	OF	

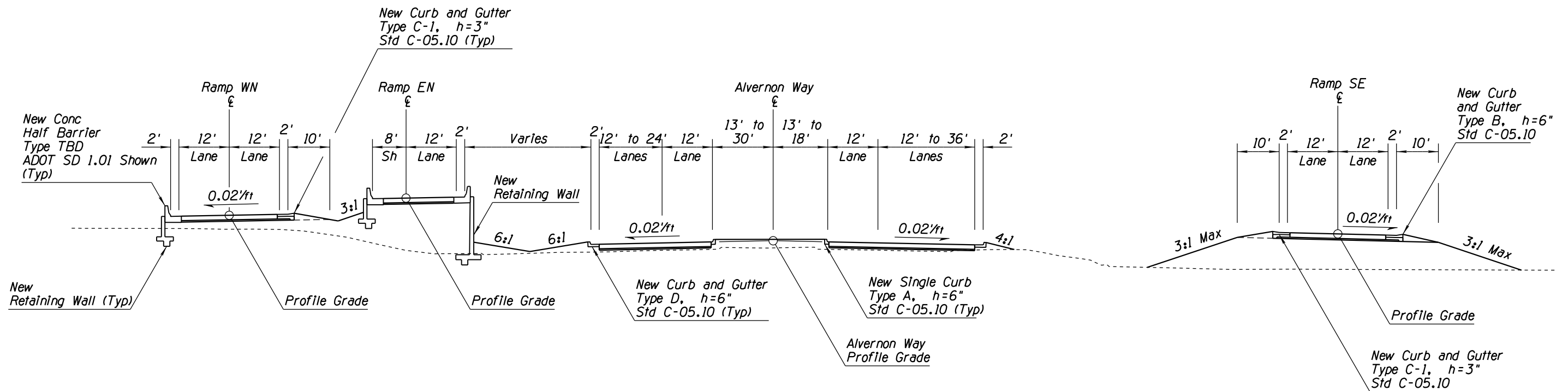
SURVEY NO. FINISHED PLANS REVISIONS LOCATION DATE SURVEY NO. FINISHED PLANS REVISIONS LOCATION DATE SURVEY NO. FINISHED PLANS REVISIONS LOCATION DATE

F.H.W.A. REGION	STATE	PROJECT NO.	SHEET NO.	TOTAL SHEETS	RECORD DRAWING
9	ARIZ.	010-E(210)S	32	46	

010 PM 260



Irvington to Ramp SE and WN Gores



Ramp SE and WN Gores to I-10

**TYPICAL SECTION**  
 SR 210  
 Elevated Mainline  
 Tangent Sections  
 Irvington Rd to I-10  
 Sta 490+00 to Sta 505+00

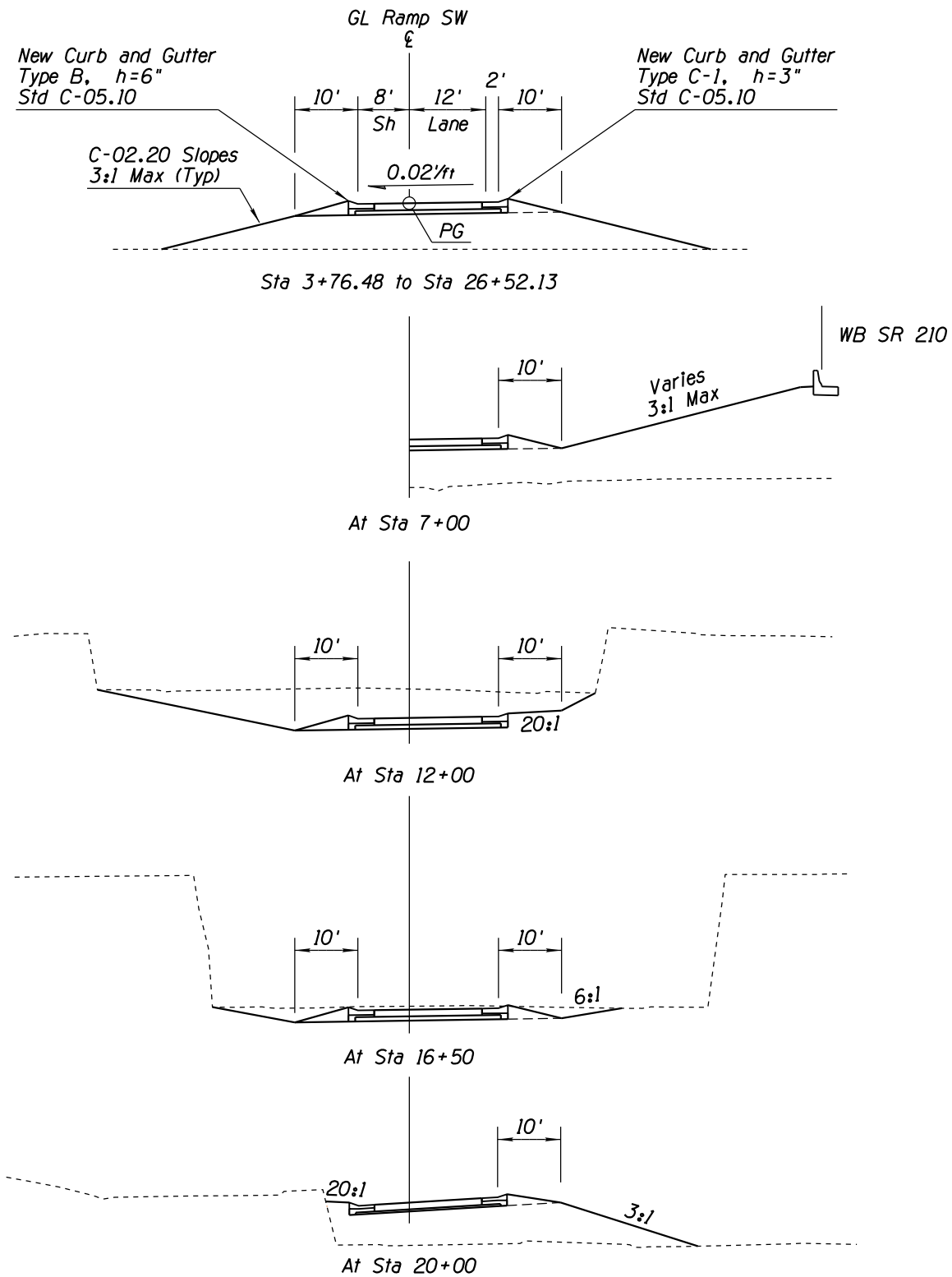
**APPENDIX J**

DESIGN	MKO/JBC	10-17	ARIZONA DEPARTMENT OF TRANSPORTATION INFRASTRUCTURE DELIVERY & OPERATIONS DIVISION <b>ROADWAY DESIGN SERVICES</b>	PRELIMINARY NOT FOR CONSTRUCTION OR RECORDING
DRAWN	SR/JLM	10-17		
CHECKED	PNB	12-17		
<b>JACOBS</b>			DESIGN SHEET SR 210 SYSTEM ALT IV TYPICAL SECTIONS	
ROUTE	LOCATION	I-10 - JCT. I-19 TO KOLB ROAD SR 210 - GOLF LINKS ROAD TO I-10		SHEET TYP-32
TRACS NO.	H7825 OIL	010-E(210)S		OF

DATE LOCATION REVISIONS FINISHED PLANS SURVEY NO. DATE LOCATION REVISIONS FINISHED PLANS SURVEY NO.

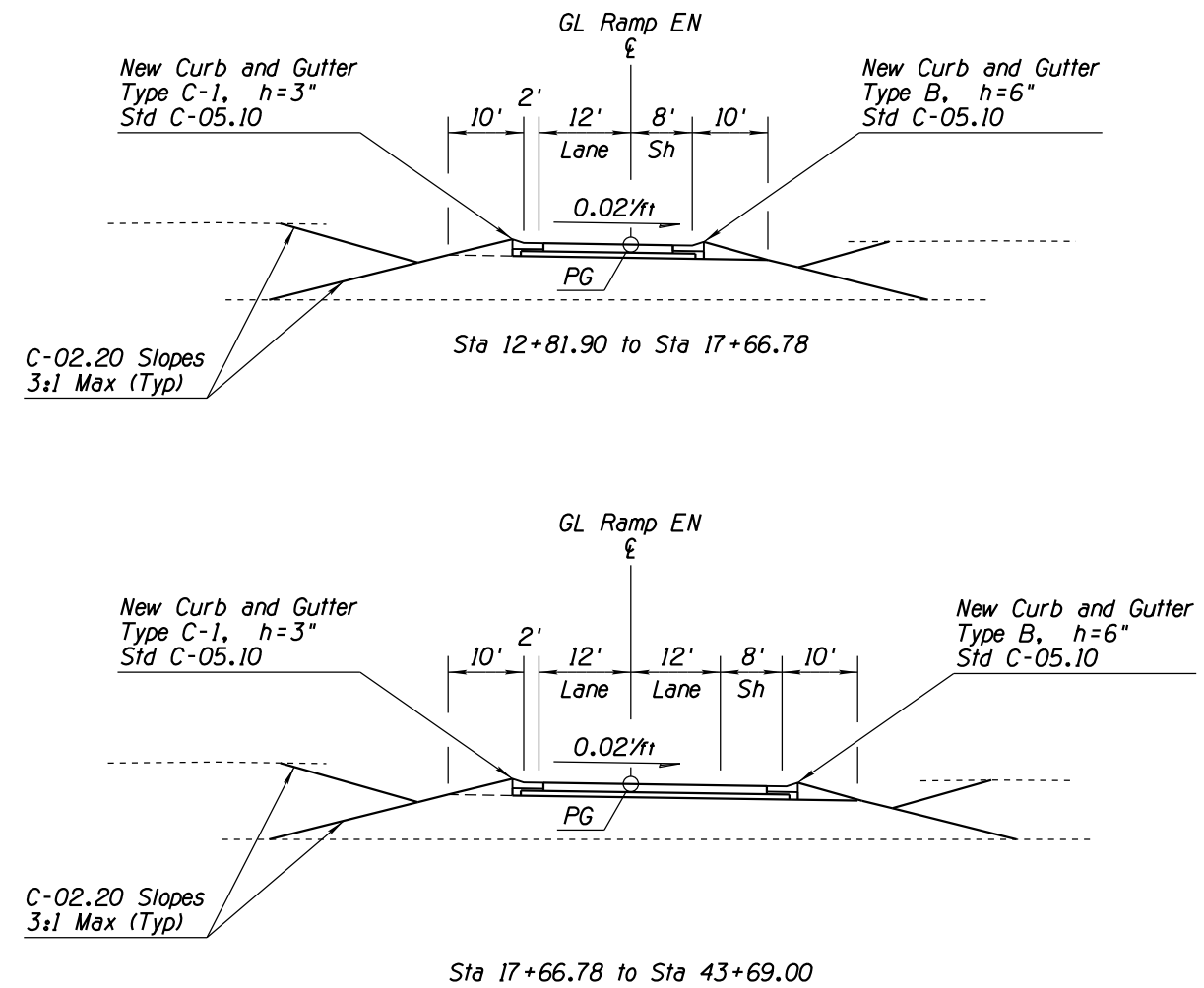
F.H.W.A. REGION	STATE	PROJECT NO.	SHEET NO.	TOTAL SHEETS	RECORD DRAWING
9	ARIZ.	010-E(210)S	33	46	

010 PM 260



SR 210 RAMP  
TYPICAL SECTIONS

GL Ramp SW



SR 210 RAMP  
TYPICAL SECTIONS

GL Ramp EN

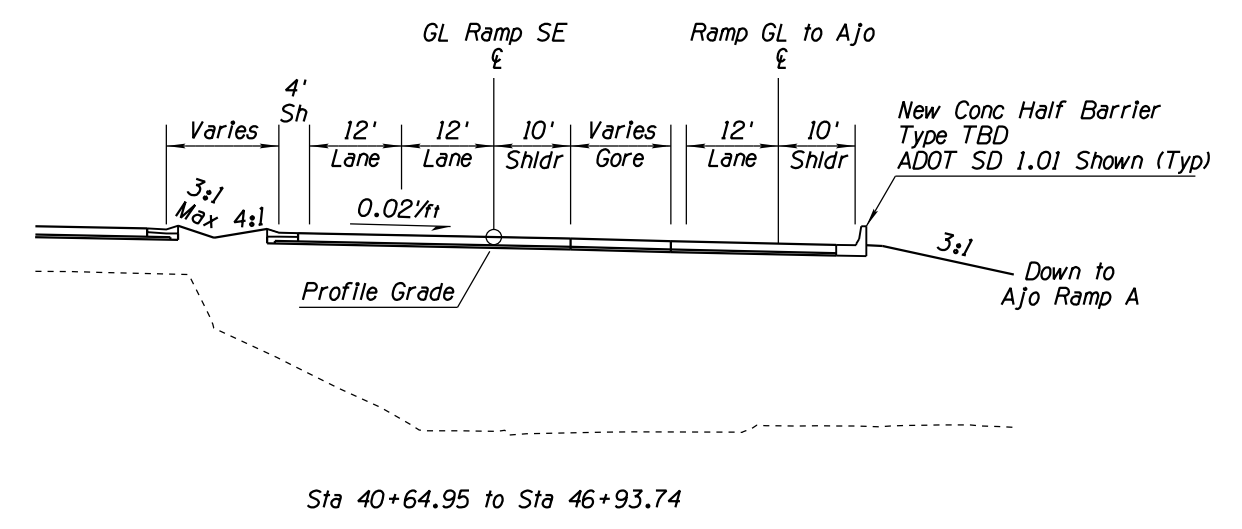
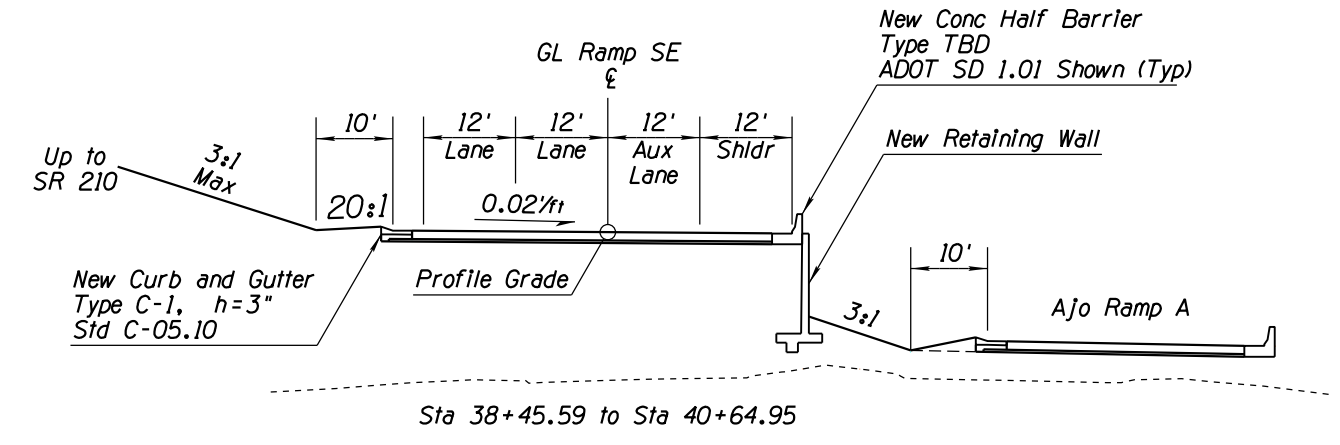
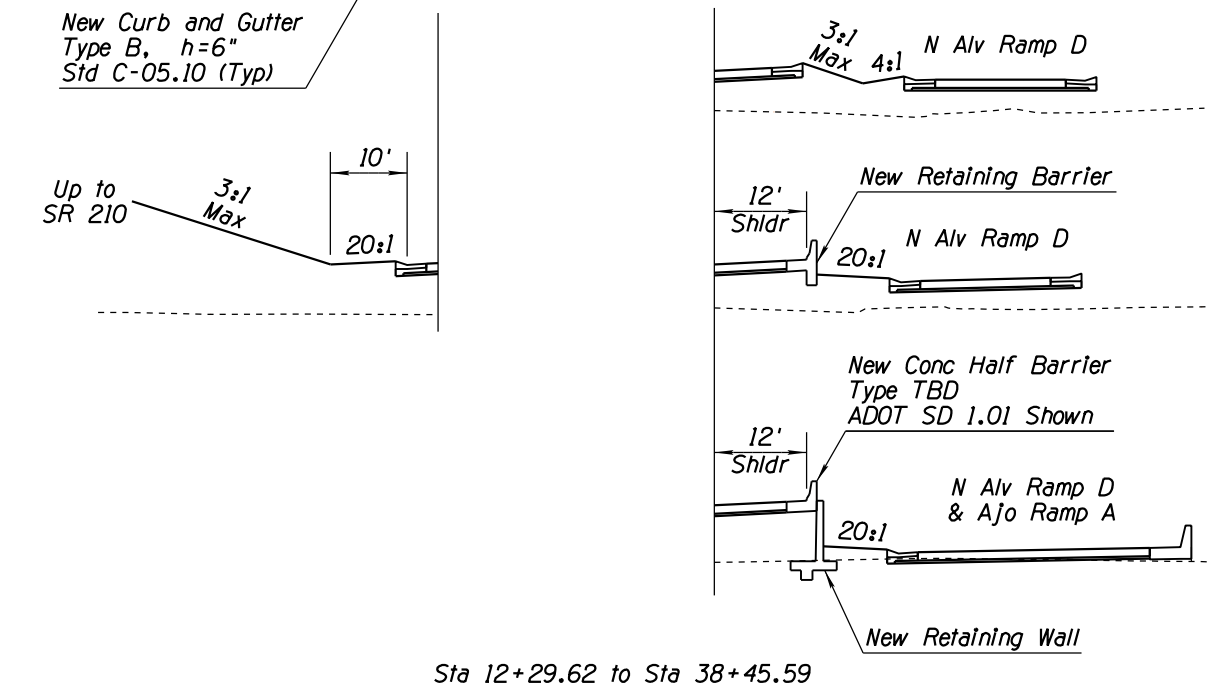
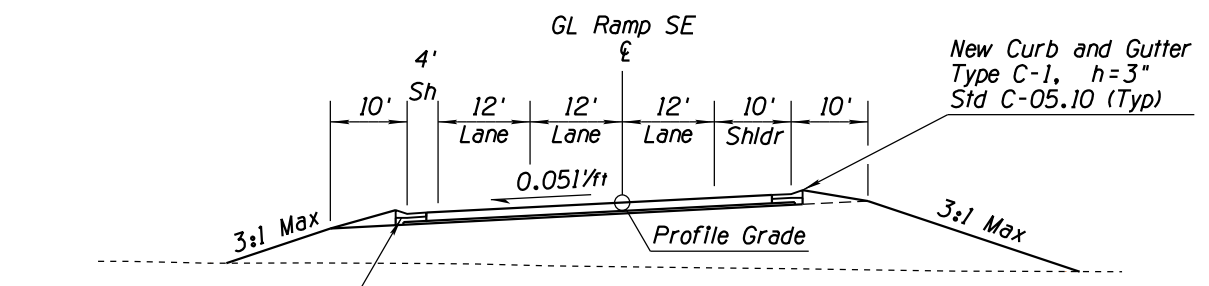
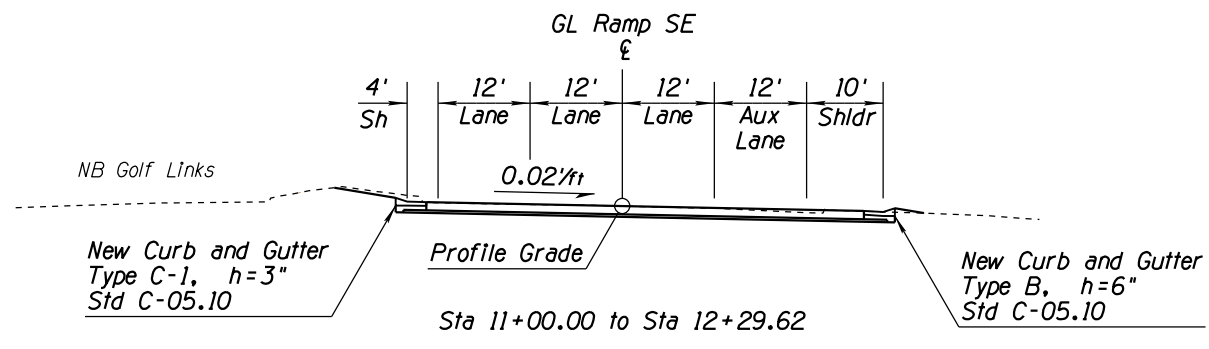
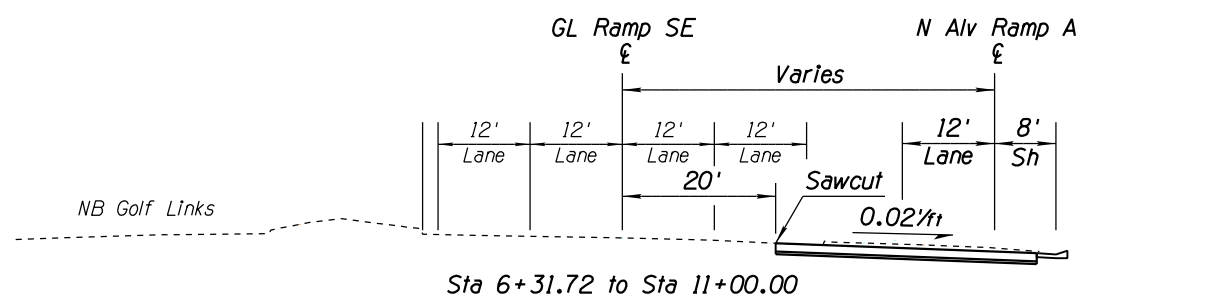
# APPENDIX J

DESIGN	MKO/JBC	10-17	ARIZONA DEPARTMENT OF TRANSPORTATION INFRASTRUCTURE DELIVERY & OPERATIONS DIVISION <b>ROADWAY DESIGN SERVICES</b>	PRELIMINARY NOT FOR CONSTRUCTION OR RECORDING
DRAWN	SR/JLM	10-17		
CHECKED	PNB	12-17		
<b>JACOBS</b>			DESIGN SHEET SR 210 SYSTEM ALT IV TYPICAL SECTIONS	
ROUTE	LOCATION	I-10 - JCT. I-19 TO KOLB ROAD SR 210 - GOLF LINKS ROAD TO I-10		SHEET TYP-33
TRACS NO. H7825 OIL			010-E(210)S	OF

DATE LOCATION REVISIONS FINISHED PLANS SURVEY NO. DATE LOCATION REVISIONS FINISHED PLANS SURVEY NO.

F.H.W.A. REGION	STATE	PROJECT NO.	SHEET NO.	TOTAL SHEETS	RECORD DRAWING
9	ARIZ.	010-E(210)S	34	46	

010 PM 260



SR 210 RAMP  
TYPICAL SECTIONS  
GL Ramp SE

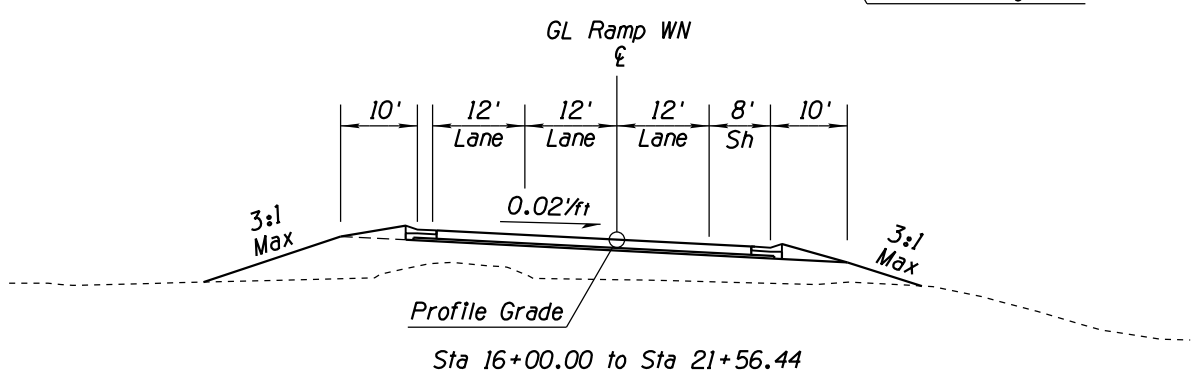
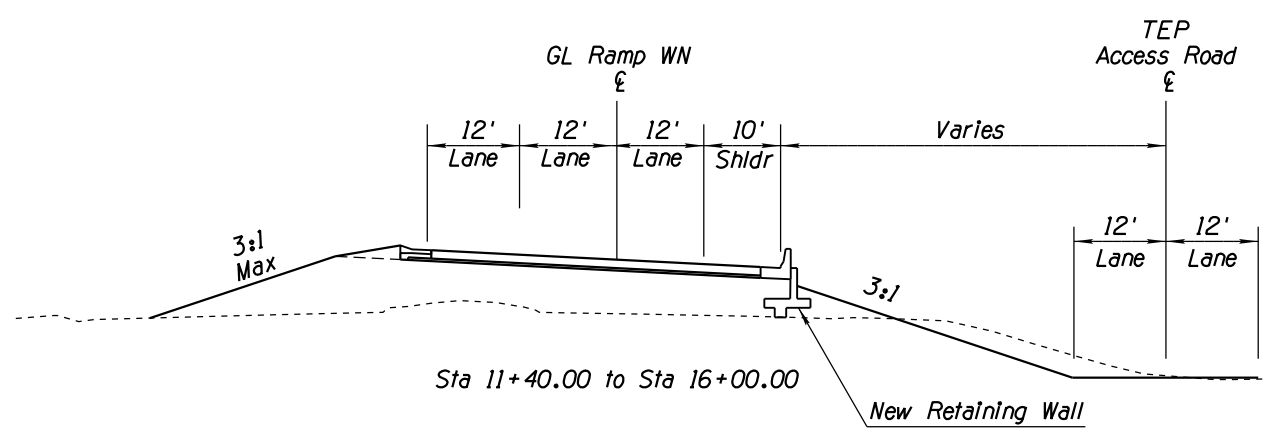
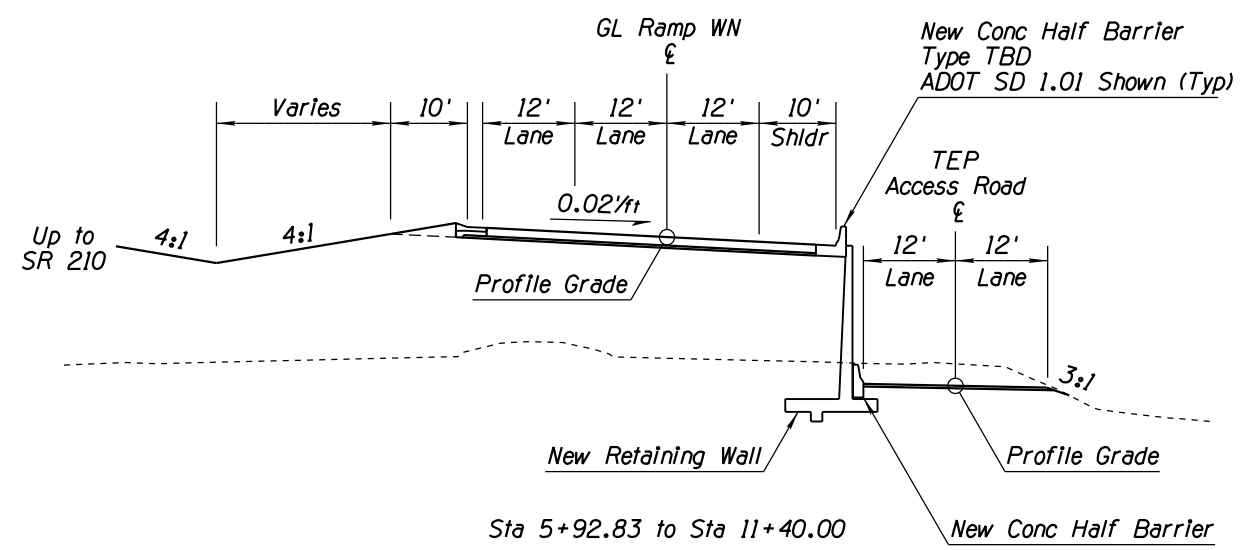
APPENDIX J

DESIGN	MKO/JBC	DATE	10-17	ARIZONA DEPARTMENT OF TRANSPORTATION INFRASTRUCTURE DELIVERY & OPERATIONS DIVISION ROADWAY DESIGN SERVICES	PRELIMINARY NOT FOR CONSTRUCTION OR RECORDING
DRAWN	SR/JLM	DATE	10-17		
CHECKED	PNB	DATE	12-17		
<b>JACOBS</b>		DESIGN SHEET SR 210 SYSTEM ALT IV TYPICAL SECTIONS		SHEET TYP-34	
ROUTE	SR 210	LOCATION	I-10 - JCT. I-19 TO KOLB ROAD SR 210 - GOLF LINKS ROAD TO I-10	SHEET TYP-34	
TRACS NO.	H7825 OIL	010-E(210)S		OF	

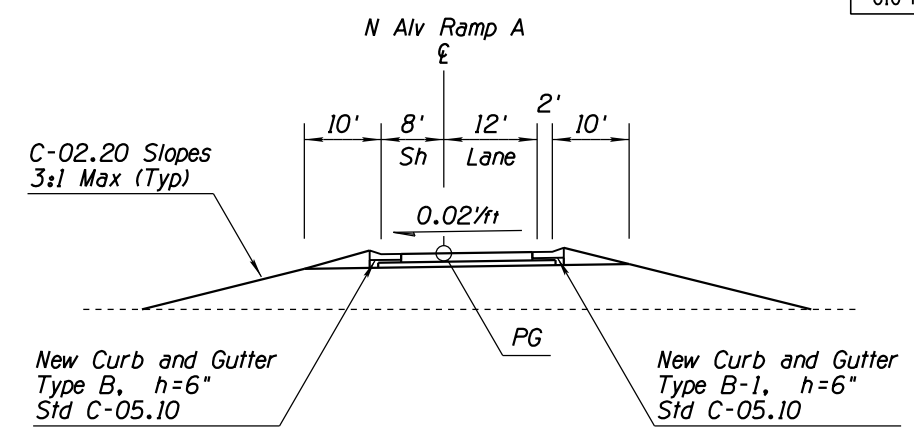
DATE: LOCATION: REVISIONS: FINISHED PLANS: SURVEY NO. DATE: LOCATION: REVISIONS: FINISHED PLANS: SURVEY NO.

F.H.W.A. REGION	STATE	PROJECT NO.	SHEET NO.	TOTAL SHEETS	RECORD DRAWING
9	ARIZ.	010-E(210)S	35	46	

010 PM 260



SR 210 RAMP  
TYPICAL SECTIONS  
GL Ramp WN  
Sta 5+92.83 to Sta 21+56.44



SR 210 RAMP  
TYPICAL SECTIONS  
N Alv Ramp A

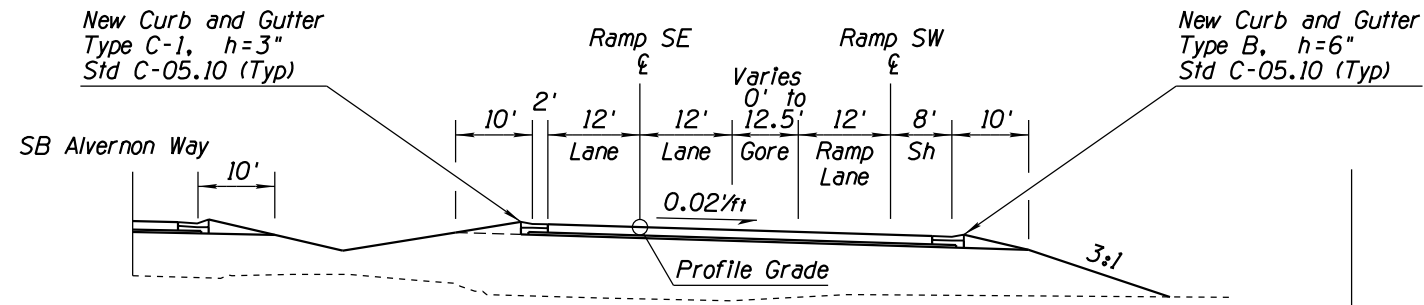
# APPENDIX J

DESIGN	MKO/JBC	10-17	ARIZONA DEPARTMENT OF TRANSPORTATION INFRASTRUCTURE DELIVERY & OPERATIONS DIVISION ROADWAY DESIGN SERVICES	PRELIMINARY NOT FOR CONSTRUCTION OR RECORDING
DRAWN	SR/JLM	10-17		
CHECKED	PNB	12-17		
<b>JACOBS</b>			DESIGN SHEET SR 210 SYSTEM ALT IV TYPICAL SECTIONS	
ROUTE	SR 210	LOCATION	I-10 - JCT. I-19 TO KOLB ROAD SR 210 - GOLF LINKS ROAD TO I-10	SHEET TYP-35
TRACS NO.	H7825 OIL		010-E(210)S	OF

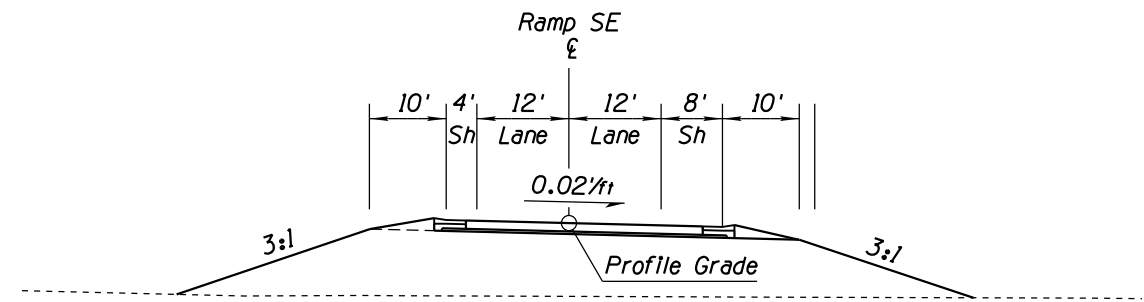
SURVEY NO. FINISHED PLANS DATE REVISIONS LOCATION DATE

F.H.W.A. REGION	STATE	PROJECT NO.	SHEET NO.	TOTAL SHEETS	RECORD DRAWING
9	ARIZ.	010-E(210)S	36	46	

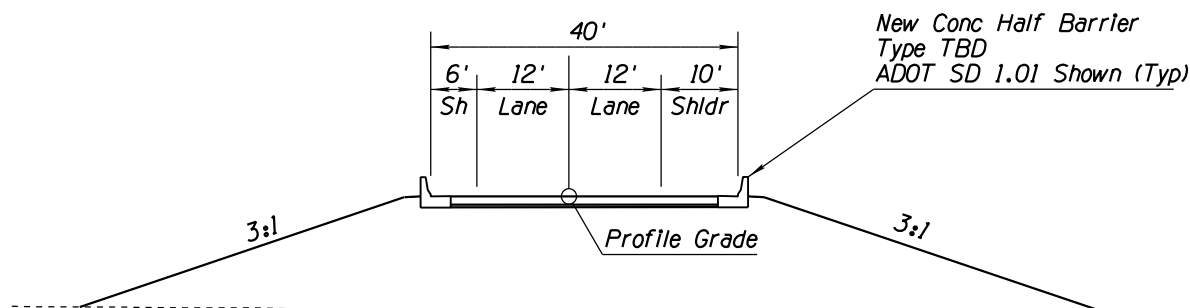
010 PM 260



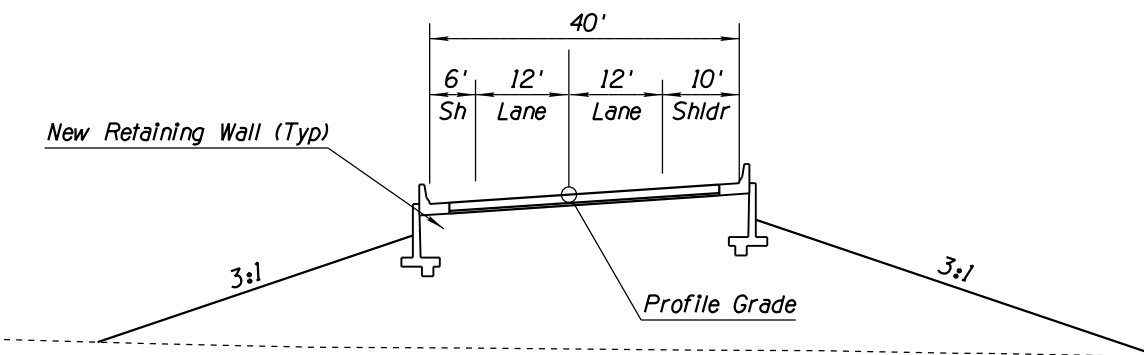
Sta 20+00 to Sta 23+93  
Alvernon NOG to Ramp SW NOG



With Curb & Gutters

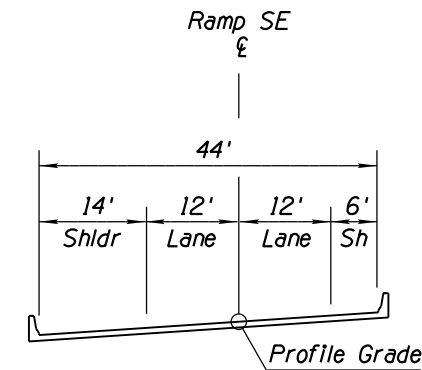


With Barriers

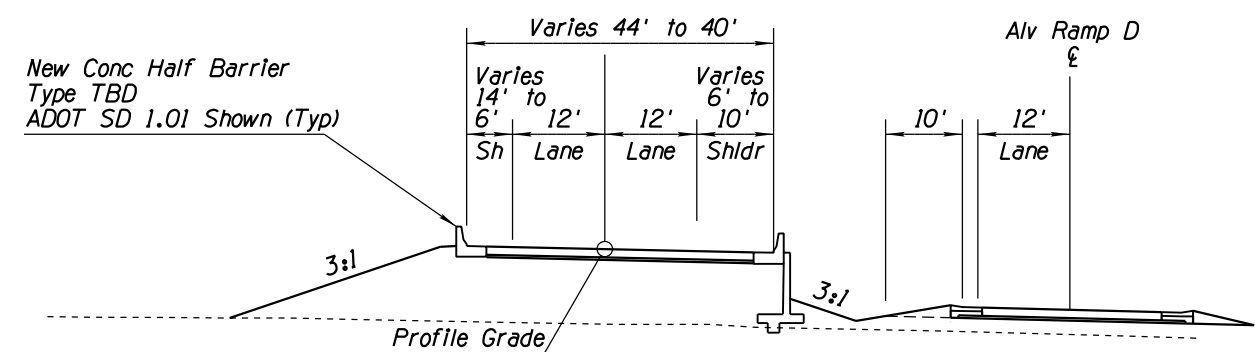


With Retaining Walls at Bridge Abutments

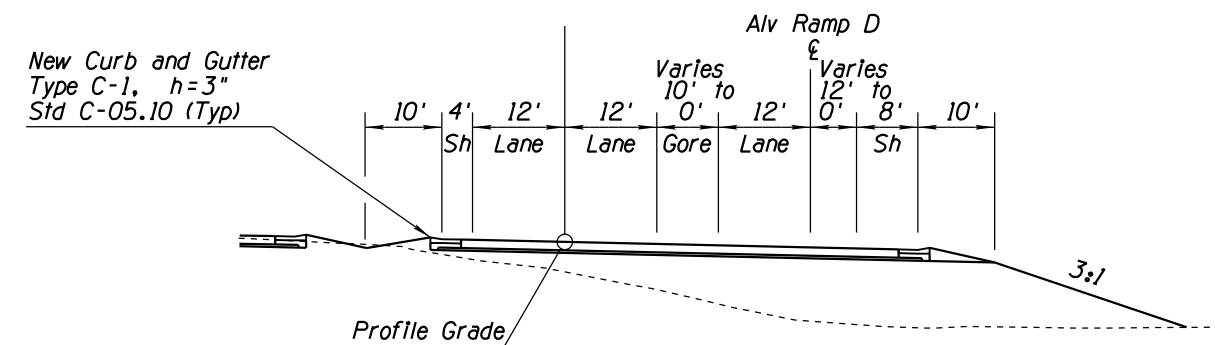
Sta 23+93 to Sta 31+09.40  
Ramp SW NOG to North Bridge Abutment



New Structure



Along Alv Ramp D



Along EB I-10

Sta 41+32.14 to PT Sta 57+20.66  
East of South Bridge Abutment

### SR 210/I-10 SYSTEM RAMP TYPICAL SECTIONS

Ramp SE  
Sta 20+00 to Sta PT 57+20.66

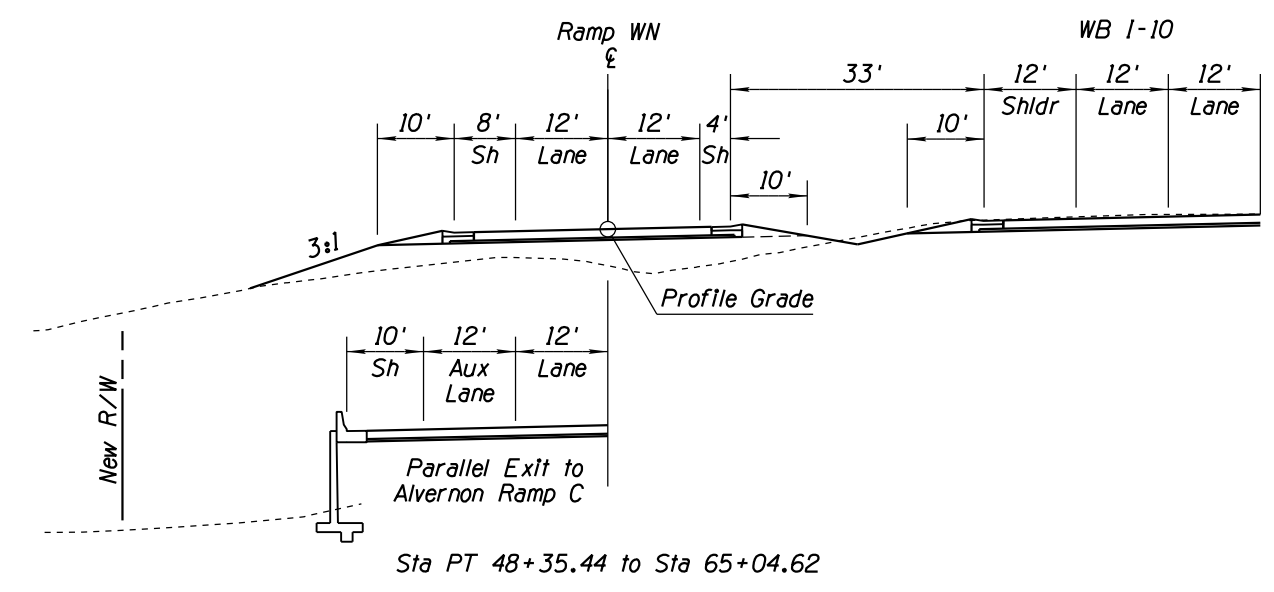
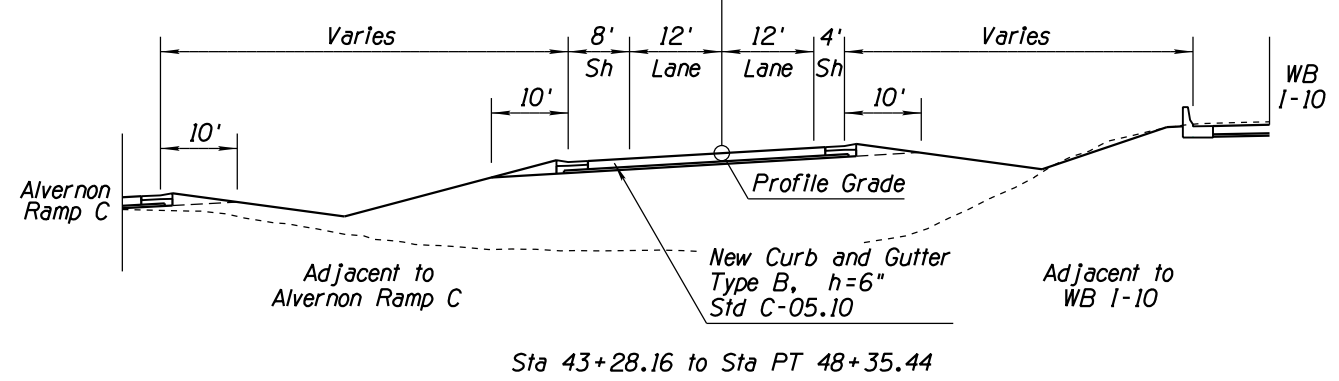
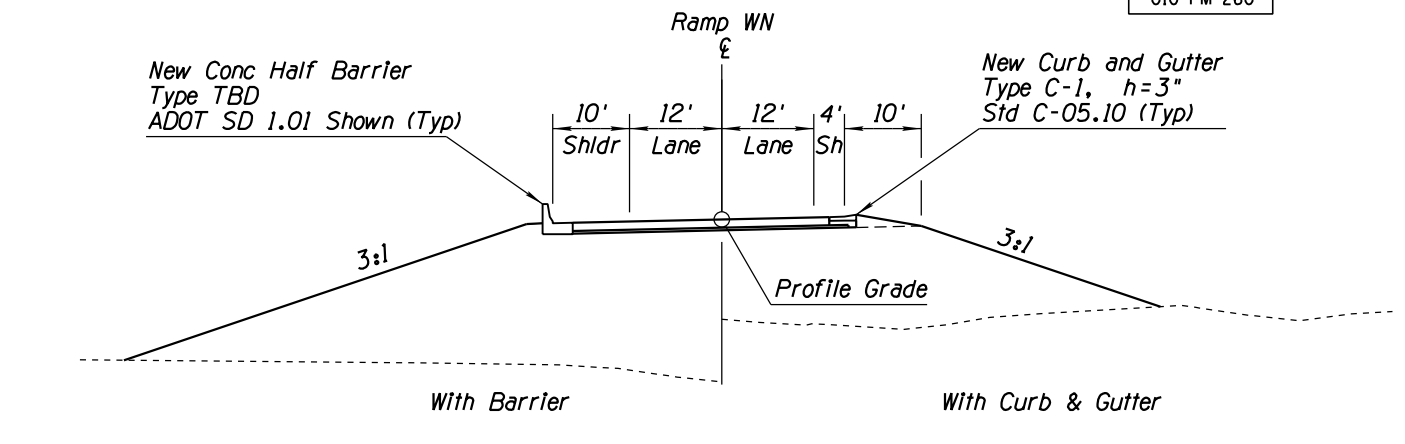
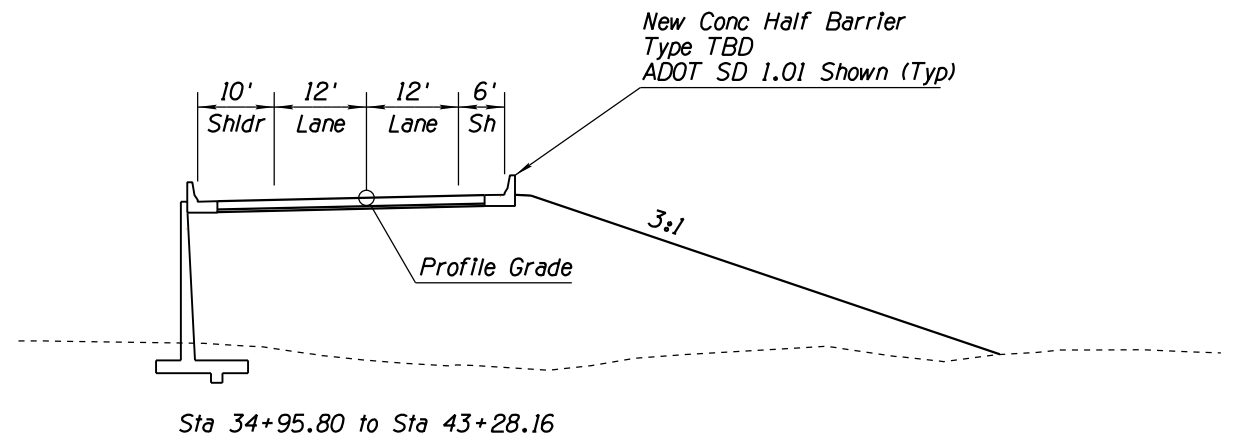
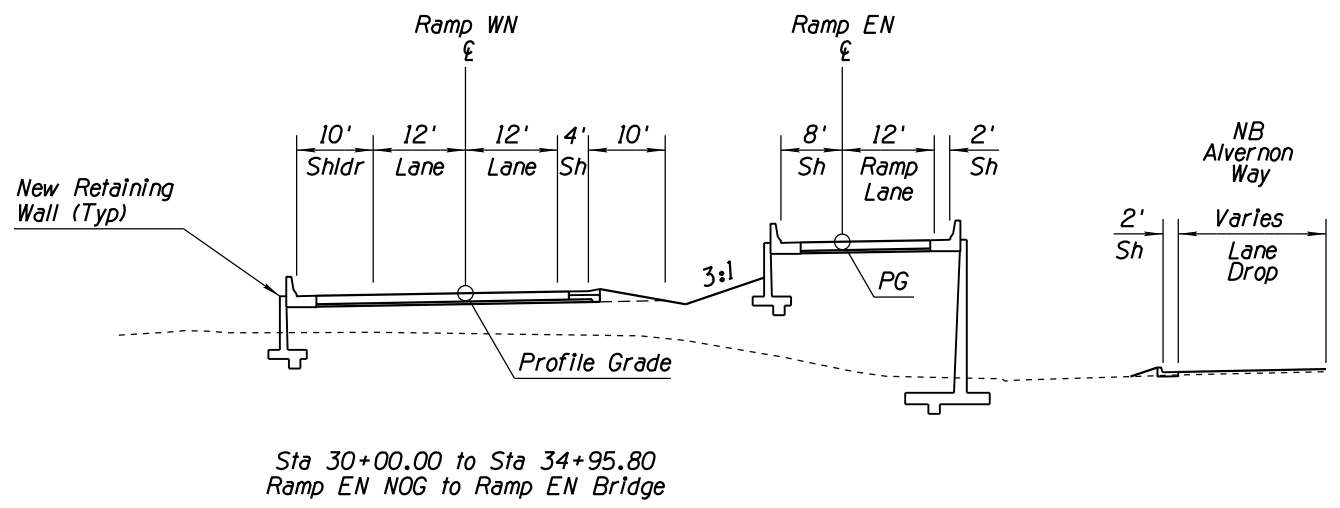
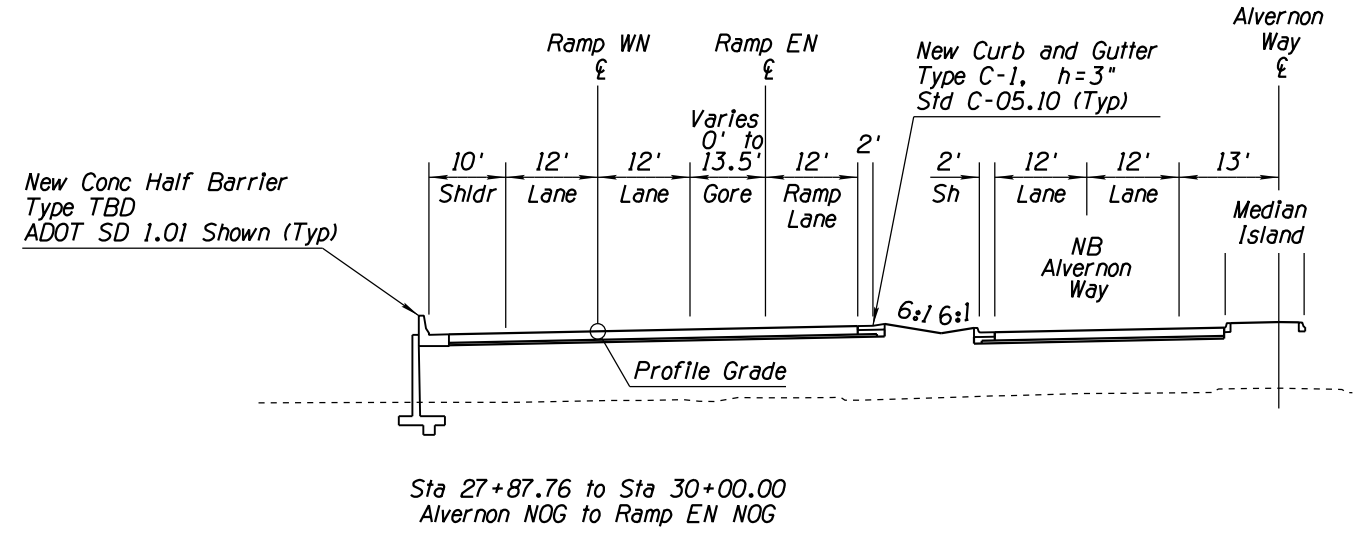
## APPENDIX J

DESIGN	MKO/JBC	DATE	10-17	ARIZONA DEPARTMENT OF TRANSPORTATION INFRASTRUCTURE DELIVERY & OPERATIONS DIVISION <b>ROADWAY DESIGN SERVICES</b>	PRELIMINARY NOT FOR CONSTRUCTION OR RECORDING
DRAWN	SR/JLM	DATE	10-17		
CHECKED	PNB	DATE	12-17		
<b>JACOBS</b>				DESIGN SHEET SR 210 SYSTEM ALT IV TYPICAL SECTIONS	
ROUTE	SR 210	LOCATION	I-10 - JCT. I-19 TO KOLB ROAD SR 210 - GOLF LINKS ROAD TO I-10		SHEET TYP-36
TRACS NO.	H7825 OIL		010-E(210)S		OF

DATE: LOCATION: REVISIONS: FINISHED PLANS: SURVEY NO. DATE: LOCATION: REVISIONS: FINISHED PLANS: SURVEY NO.

F.H.W.A. REGION	STATE	PROJECT NO.	SHEET NO.	TOTAL SHEETS	RECORD DRAWING
9	ARIZ.	010-E(210)S	37	46	

010 PM 260



SR 210/I-10 SYSTEM RAMP  
TYPICAL SECTIONS  
Ramp WN  
Sta 27+87.76 to Sta 65+04.62

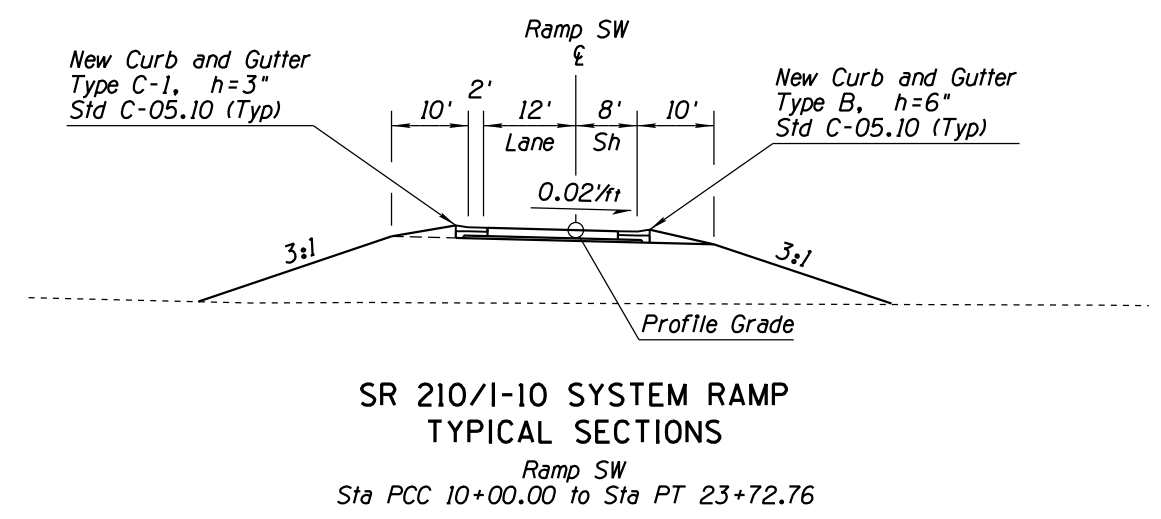
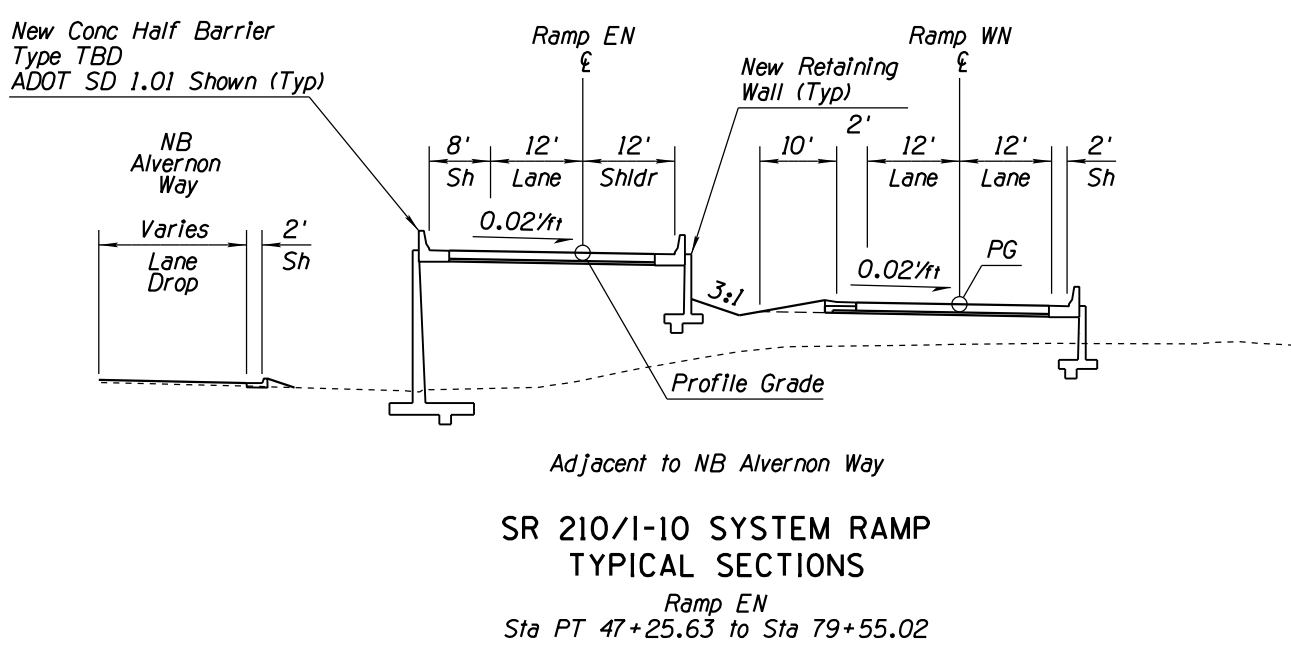
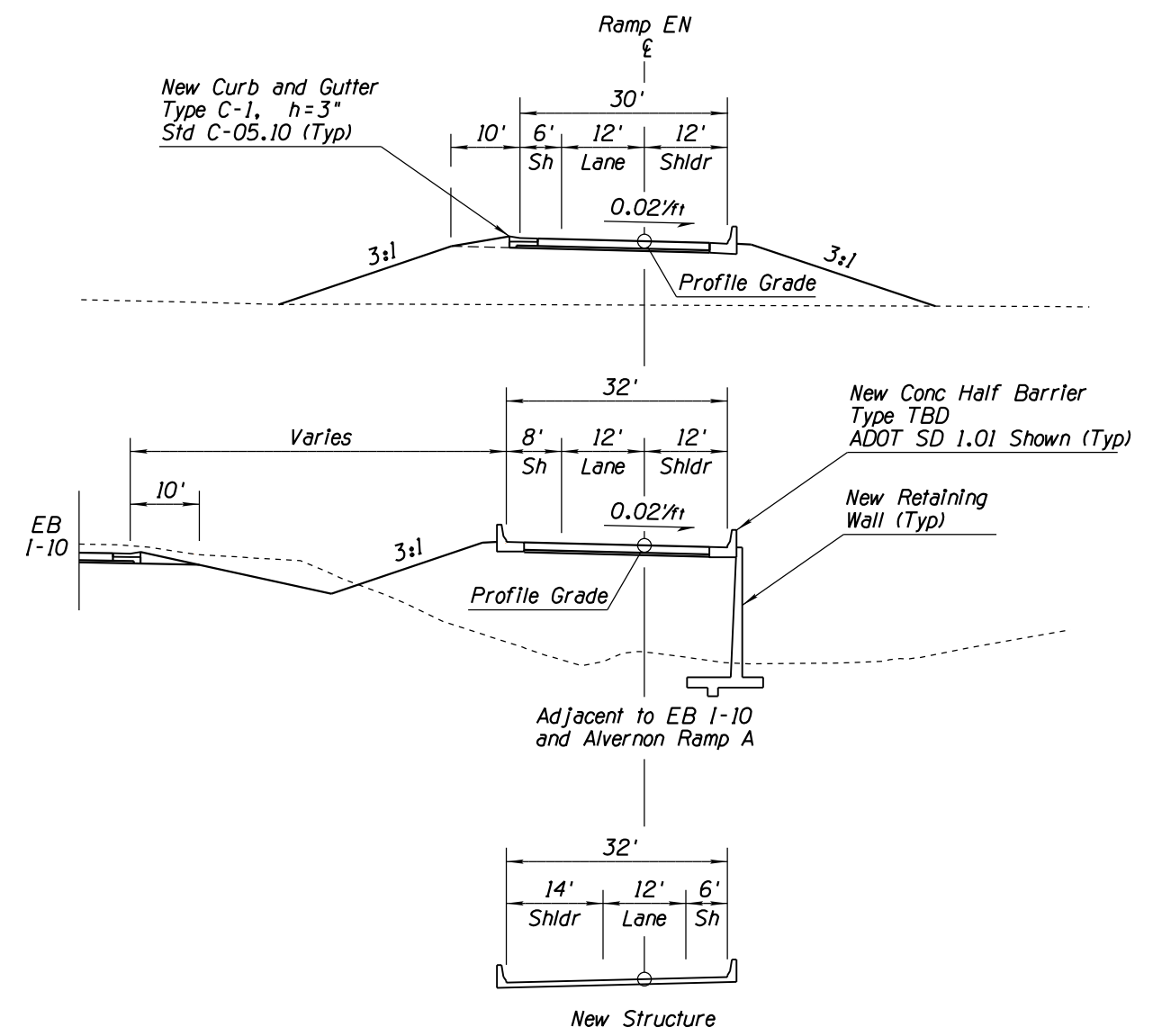
APPENDIX J

DESIGN	MKO/JBC	DATE	10-17	ARIZONA DEPARTMENT OF TRANSPORTATION INFRASTRUCTURE DELIVERY & OPERATIONS DIVISION ROADWAY DESIGN SERVICES	PRELIMINARY NOT FOR CONSTRUCTION OR RECORDING
DRAWN	SR/JLM	DATE	10-17		
CHECKED	PNB	DATE	12-17		
<b>JACOBS</b>				DESIGN SHEET SR 210 SYSTEM ALT IV TYPICAL SECTIONS	
ROUTE	SR 210	LOCATION	I-10 - JCT. I-19 TO KOLB ROAD SR 210 - GOLF LINKS ROAD TO I-10		SHEET TYP-37
TRACS NO.	H7825 OIL	PROJECT NO.	010-E(210)S		OF

DATE: LOCATION: REVISIONS: FINISHED PLANS: SURVEY NO. DATE: LOCATION: REVISIONS: FINISHED PLANS: SURVEY NO.

F.H.W.A. REGION	STATE	PROJECT NO.	SHEET NO.	TOTAL SHEETS	RECORD DRAWING
9	ARIZ.	010-E(210)S	38	46	

010 PM 260



# APPENDIX J

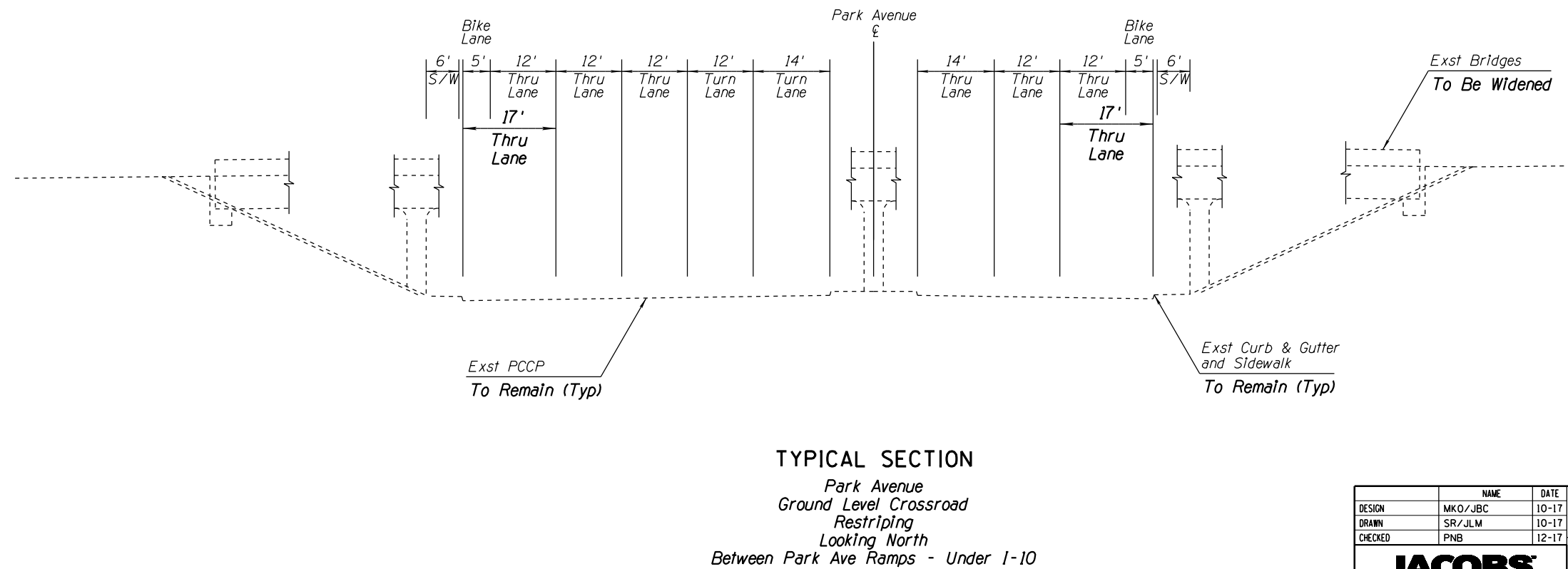
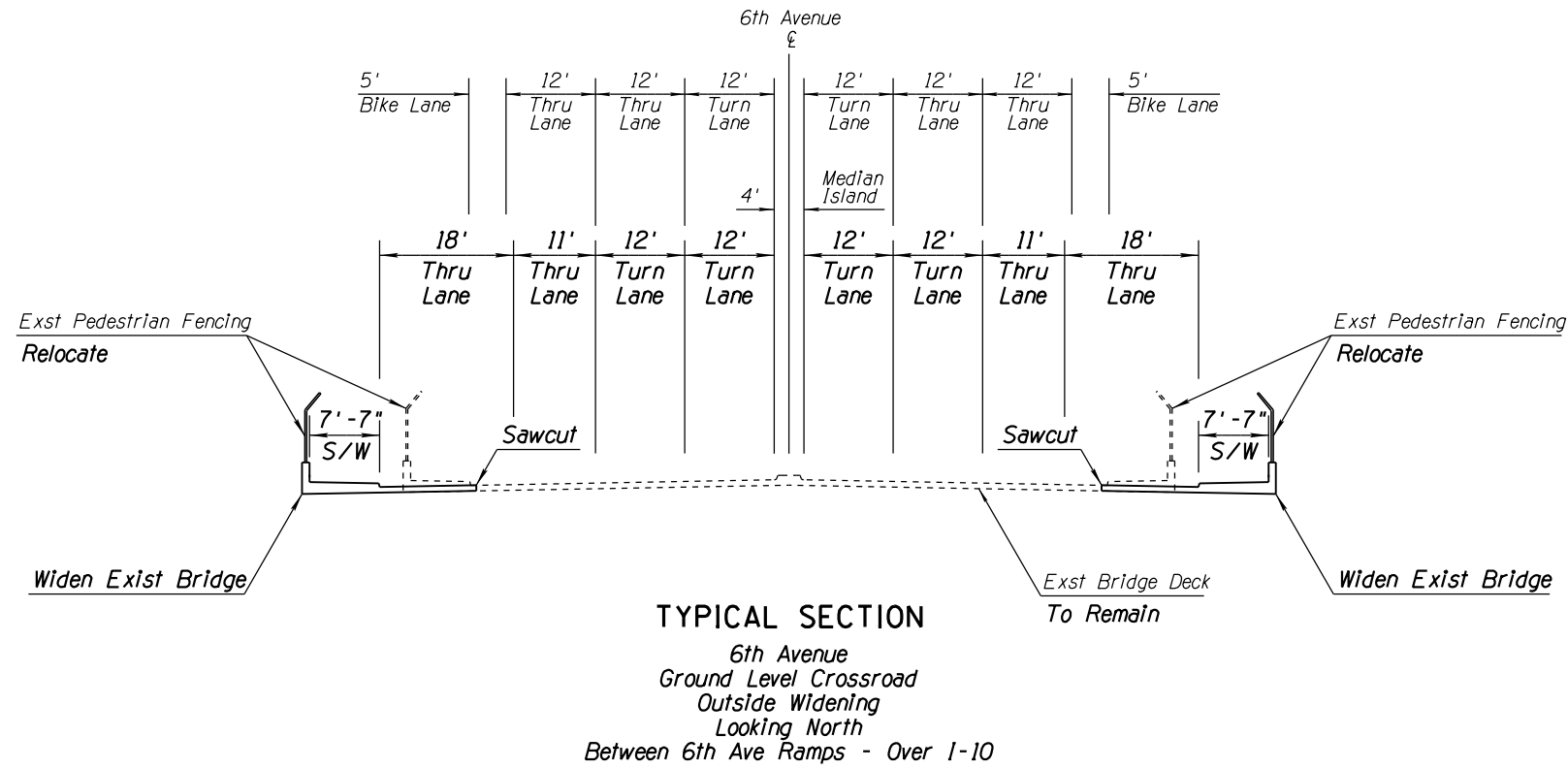
DESIGN	NAME	DATE	ARIZONA DEPARTMENT OF TRANSPORTATION INFRASTRUCTURE DELIVERY & OPERATIONS DIVISION ROADWAY DESIGN SERVICES		PRELIMINARY NOT FOR CONSTRUCTION OR RECORDING
DRAWN	MKO/JBC	10-17	<b>JACOBS</b> DESIGN SHEET SR 210 SYSTEM ALT IV TYPICAL SECTIONS		
CHECKED	SR/JLM	10-17			
	PNB	12-17	ROUTE: SR 210 LOCATION: I-10 - JCT. I-19 TO KOLB ROAD SR 210 - GOLF LINKS ROAD TO I-10		SHEET TYP-38
TRACS NO. H7825 OIL			010-E(210)S		OF

SURVEY NO. FINISHED PLANS DATE REVISIONS LOCATION DATE FINISHED PLANS SURVEY NO.



F.H.W.A. REGION	STATE	PROJECT NO.	SHEET NO.	TOTAL SHEETS	RECORD DRAWING
9	ARIZ.	010-E(210)S	39	46	

010 PM 260



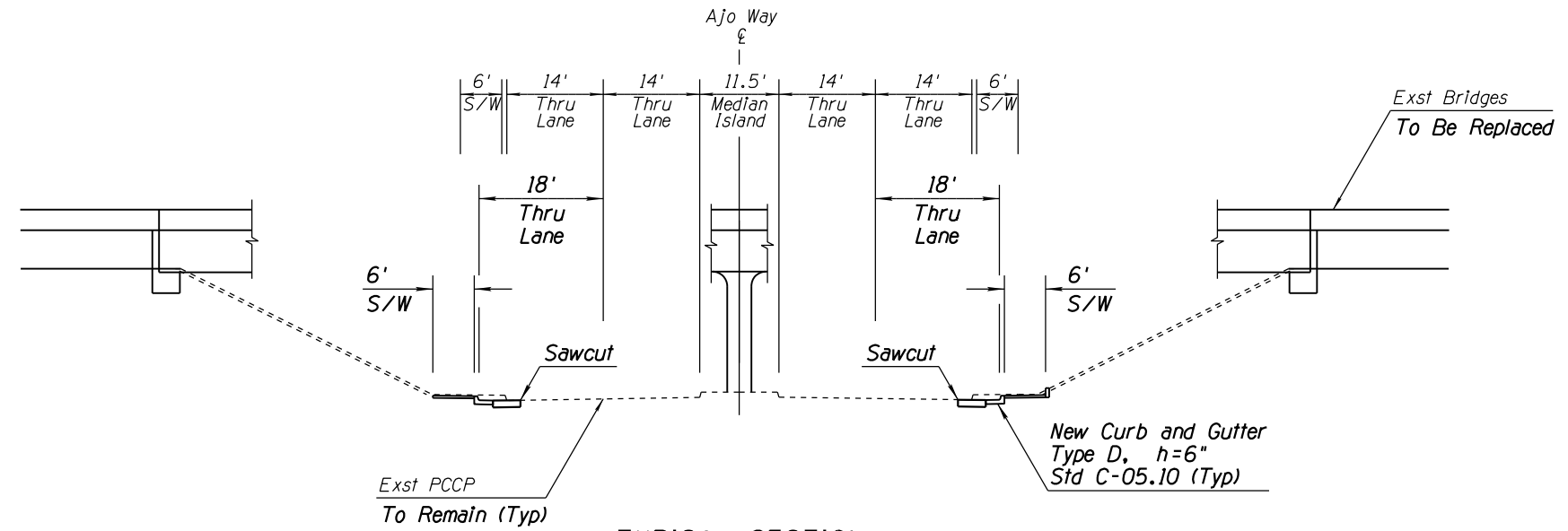
# APPENDIX J

DESIGN	MKO/JBC	10-17	ARIZONA DEPARTMENT OF TRANSPORTATION INFRASTRUCTURE DELIVERY & OPERATIONS DIVISION <b>ROADWAY DESIGN SERVICES</b>	PRELIMINARY NOT FOR CONSTRUCTION OR RECORDING
DRAWN	SR/JLM	10-17		
CHECKED	PNB	12-17		
<b>JACOBS</b>			DESIGN SHEET I-10 SYSTEM ALT IV TYPICAL SECTIONS	
ROUTE	LOCATION	I-10 - JCT. I-19 TO KOLB ROAD SR 210 - GOLF LINKS ROAD TO I-10		SHEET TYP-39
TRACS NO. H7825 01L			010-E(210)S	OF

SURVEY NO. FINISHED PLANS REVISIONS LOCATION DATE SURVEY NO. FINISHED PLANS REVISIONS LOCATION DATE SURVEY NO. FINISHED PLANS REVISIONS LOCATION DATE

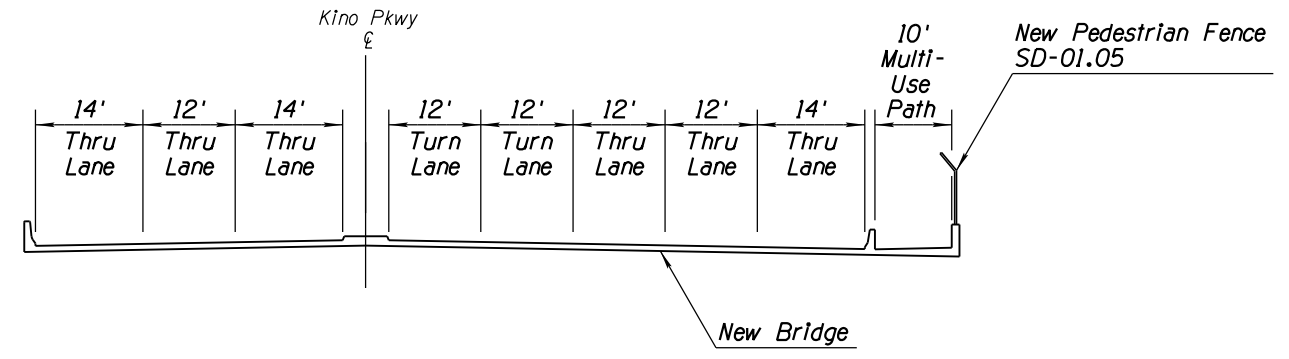
F.H.W.A. REGION	STATE	PROJECT NO.	SHEET NO.	TOTAL SHEETS	RECORD DRAWING
9	ARIZ.	010-E(210)S	40	46	

010 PM 260



**TYPICAL SECTION**

Ajo Way  
Depressed Crossroad  
Outside Widening  
New I-10 Bridge  
Looking East  
Under I-10



**TYPICAL SECTION**

Kino Parkway  
Elevated Crossroad  
New Bridge Over I-10  
Looking North  
Between Kino Pkwy Ramps - Over I-10

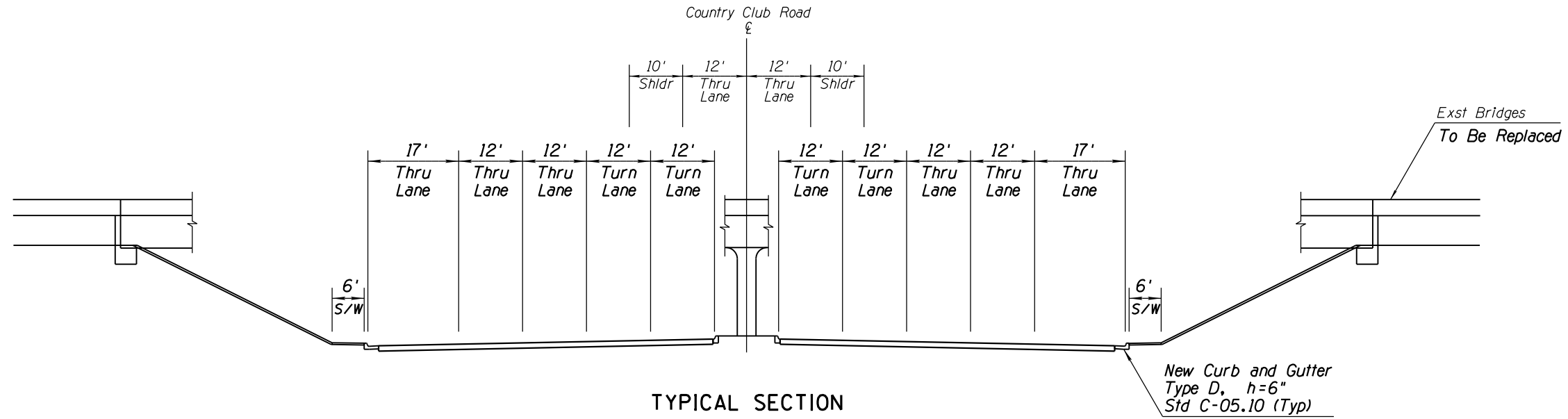
**APPENDIX J**

DESIGN	MKO/JBC	10-17	ARIZONA DEPARTMENT OF TRANSPORTATION INFRASTRUCTURE DELIVERY & OPERATIONS DIVISION <b>ROADWAY DESIGN SERVICES</b>	PRELIMINARY NOT FOR CONSTRUCTION OR RECORDING
DRAWN	SR/JLM	10-17		
CHECKED	PNB	12-17		
<b>JACOBS</b>			DESIGN SHEET I-10 SYSTEM ALT IV TYPICAL SECTIONS	
ROUTE	LOCATION	I-10 - JCT. I-19 TO KOLB ROAD SR 210 - GOLF LINKS ROAD TO I-10		SHEET TYP-40
TRACS NO. H7825 01L			010-E(210)S	OF

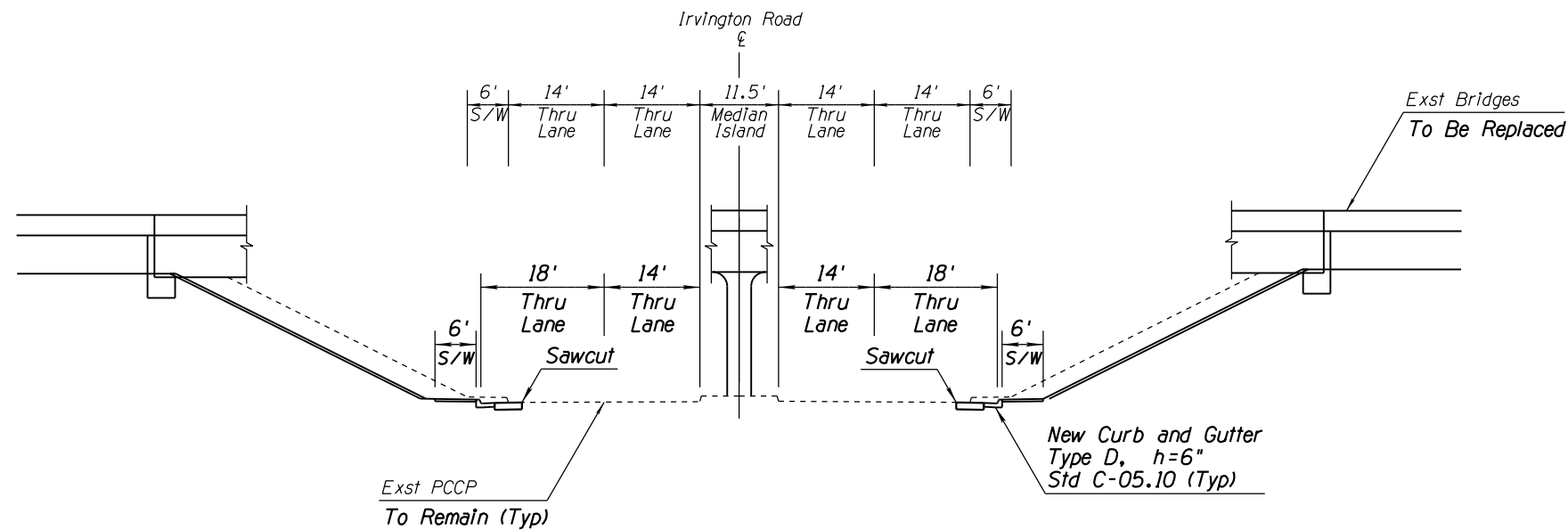
DATE - LOCATION - REVISIONS - FINISHED PLANS - SURVEY NO. DATE - LOCATION - REVISIONS - FINISHED PLANS - SURVEY NO.

F.H.W.A. REGION	STATE	PROJECT NO.	SHEET NO.	TOTAL SHEETS	RECORD DRAWING
9	ARIZ.	010-E(210)S	41	46	

010 PM 260



**TYPICAL SECTION**  
 Country Club Road  
 Ground Level Crossroad  
 New Crossroad  
 New I-10 Bridge  
 Looking North  
 Between Country Club Ramps - Under I-10



**TYPICAL SECTION**  
 Irvington Road  
 Depressed Crossroad  
 Outside Widening  
 New I-10 Bridge  
 Looking East  
 Under I-10

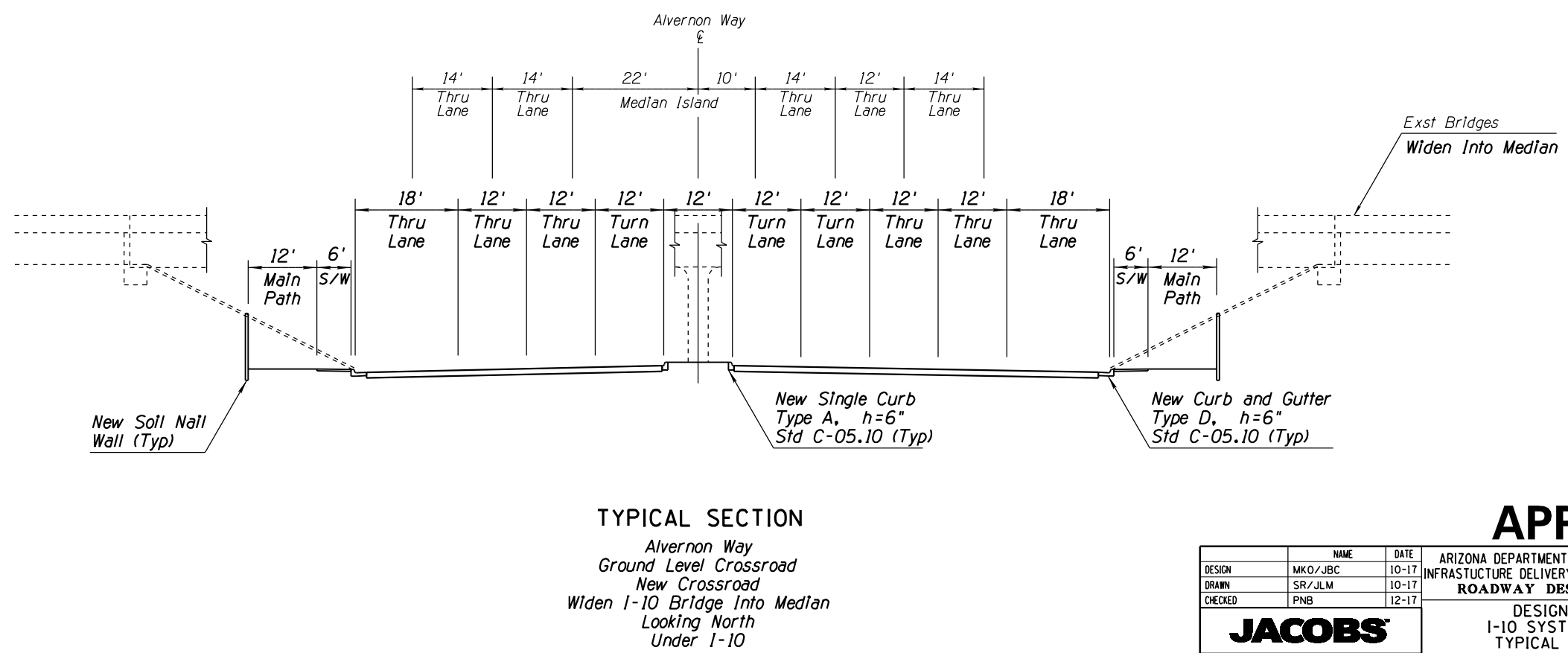
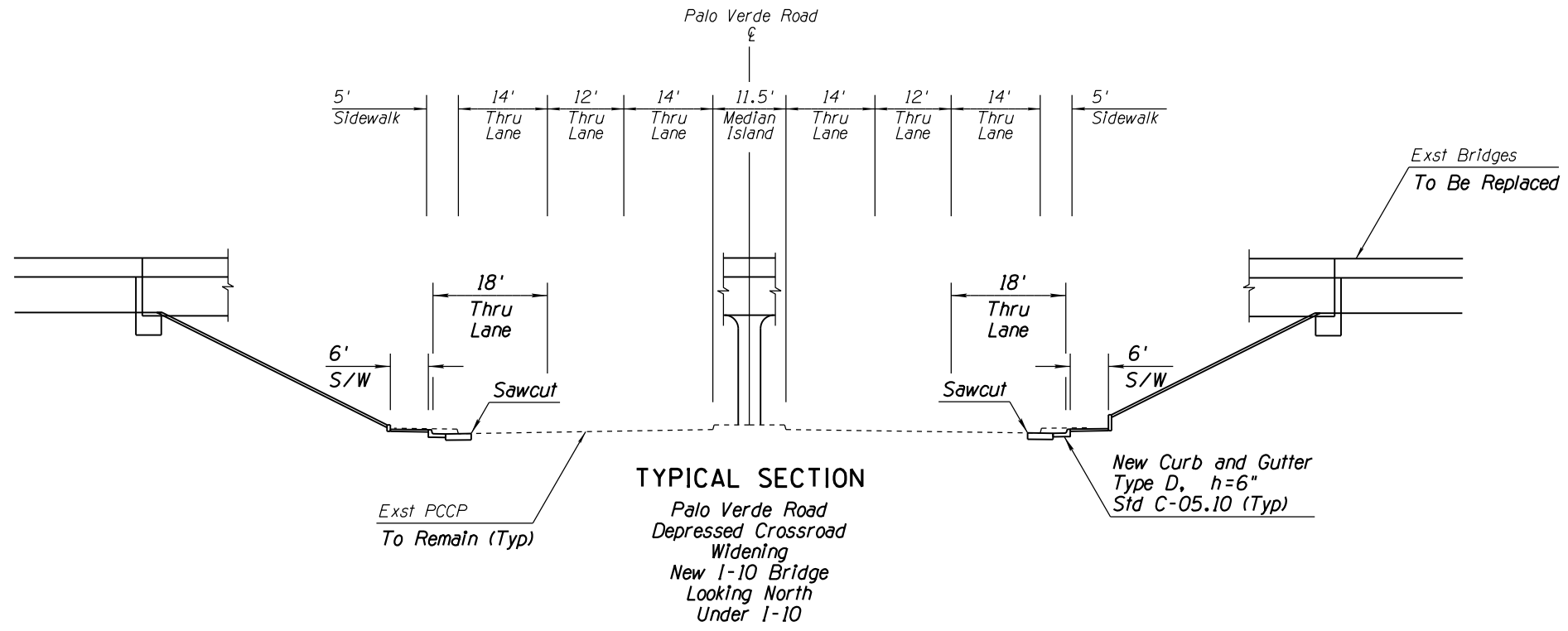
# APPENDIX J

DESIGN	MKO/JBC	DATE	10-17	ARIZONA DEPARTMENT OF TRANSPORTATION INFRASTRUCTURE DELIVERY & OPERATIONS DIVISION <b>ROADWAY DESIGN SERVICES</b>	PRELIMINARY NOT FOR CONSTRUCTION OR RECORDING
DRAWN	SR/JLM	DATE	10-17		
CHECKED	PNB	DATE	12-17		
<b>JACOBS</b>		DESIGN SHEET I-10 SYSTEM ALT IV TYPICAL SECTIONS			
ROUTE	I-10	LOCATION	I-10 - JCT. I-19 TO KOLB ROAD SR 210 - GOLF LINKS ROAD TO I-10		SHEET TYP-41
TRACS NO.	H7825 OIL	010-E(210)S		OF	

SURVEY NO. FINISHED PLANS REVISIONS LOCATION DATE

F.H.W.A. REGION	STATE	PROJECT NO.	SHEET NO.	TOTAL SHEETS	RECORD DRAWING
9	ARIZ.	010-E(210)S	42	46	

010 PM 260



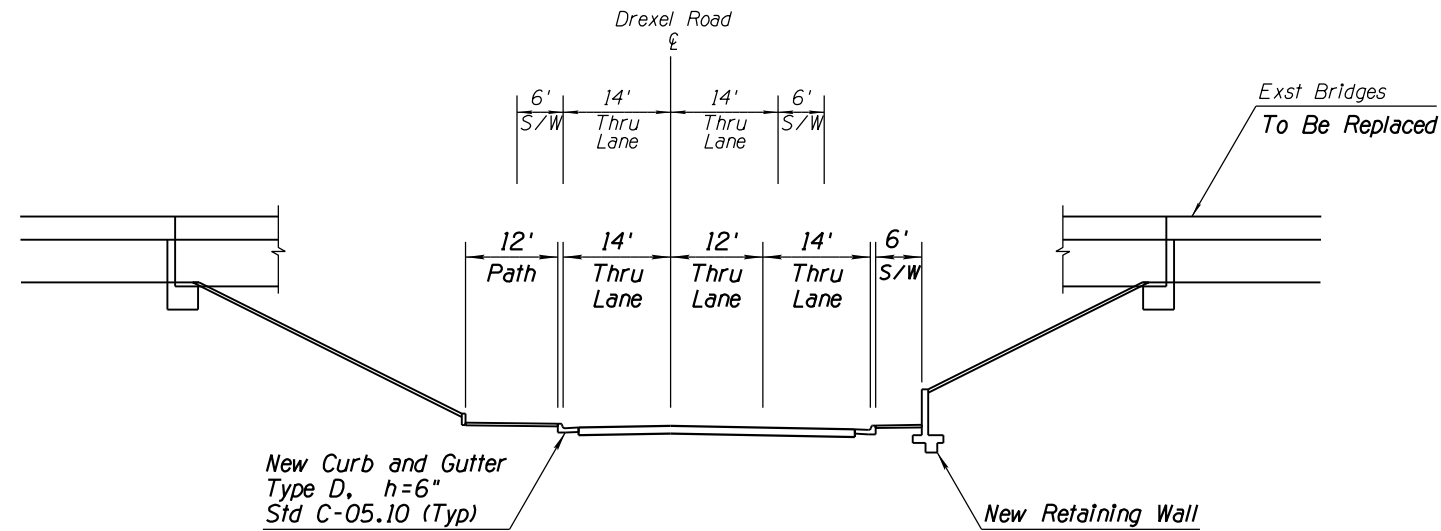
# APPENDIX J

DESIGN	MKO/JBC	DATE	10-17	ARIZONA DEPARTMENT OF TRANSPORTATION INFRASTRUCTURE DELIVERY & OPERATIONS DIVISION <b>ROADWAY DESIGN SERVICES</b>	PRELIMINARY NOT FOR CONSTRUCTION OR RECORDING
DRAWN	SR/JLM	DATE	10-17		
CHECKED	PNB	DATE	12-17		
<b>JACOBS</b>		DESIGN SHEET I-10 SYSTEM ALT IV TYPICAL SECTIONS			
ROUTE	I-10	LOCATION	I-10 - JCT. I-19 TO KOLB ROAD SR 210 - GOLF LINKS ROAD TO I-10	SHEET TYP-42	
TRACS NO.	H7825 01L	010-E(210)S		OF	

SURVEY NO. FINISHED PLANS LOCATION DATE REVISIONS FINISHED PLANS LOCATION DATE SURVEY NO.

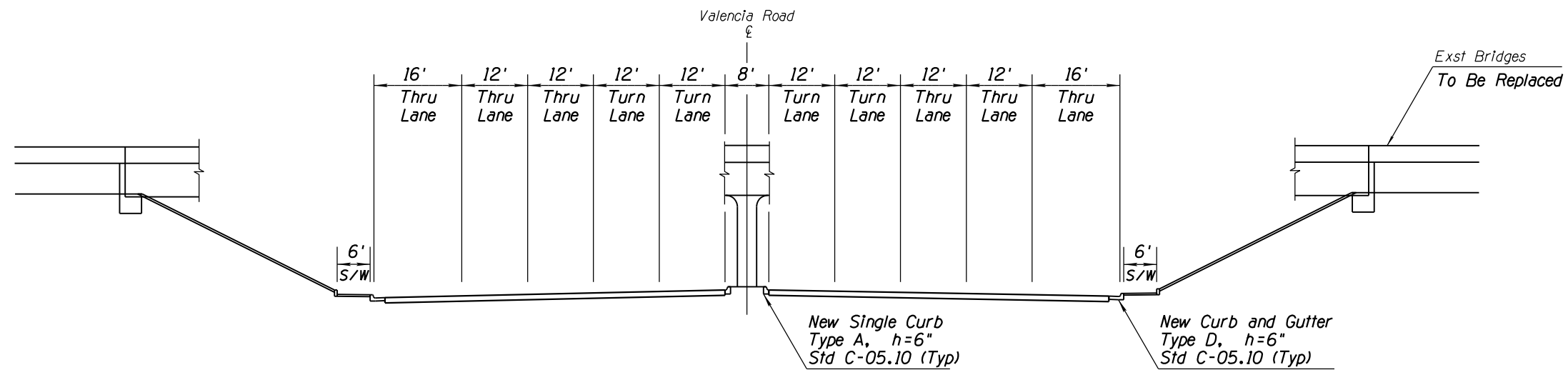
F.H.W.A. REGION	STATE	PROJECT NO.	SHEET NO.	TOTAL SHEETS	RECORD DRAWING
9	ARIZ.	010-E(210)S	43	46	

010 PM 260



**TYPICAL SECTION**

Drexel Road  
 Ground Level Crossroad  
 New Crossroad  
 New I-10 Bridges  
 Looking East  
 Under I-10



**TYPICAL SECTION**

Valencia Road  
 Ground Level Crossroad  
 New Crossroad  
 New I-10 Bridges  
 Looking East  
 Under I-10

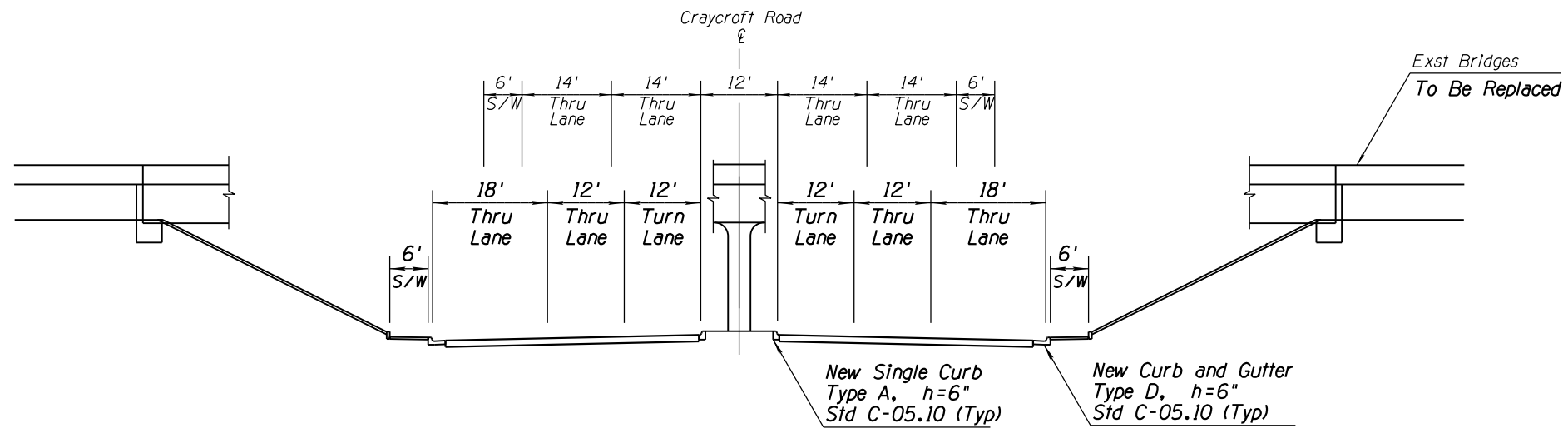
**APPENDIX J**

DESIGN	MKO/JBC	DATE	10-17	ARIZONA DEPARTMENT OF TRANSPORTATION INFRASTRUCTURE DELIVERY & OPERATIONS DIVISION <b>ROADWAY DESIGN SERVICES</b>	PRELIMINARY NOT FOR CONSTRUCTION OR RECORDING
DRAWN	SR/JLM	DATE	10-17		
CHECKED	PNB	DATE	12-17		
<b>JACOBS</b>		DESIGN SHEET I-10 SYSTEM ALT IV TYPICAL SECTIONS		SHEET TYP-43	
ROUTE	I-10	LOCATION	I-10 - JCT. I-19 TO KOLB ROAD SR 210 - GOLF LINKS ROAD TO I-10		
TRACS NO.	H7825 01L		010-E(210)S		OF

DATE - LOCATION - REVISIONS - FINISHED PLANS - SURVEY NO. DATE - LOCATION - REVISIONS - FINISHED PLANS - SURVEY NO.

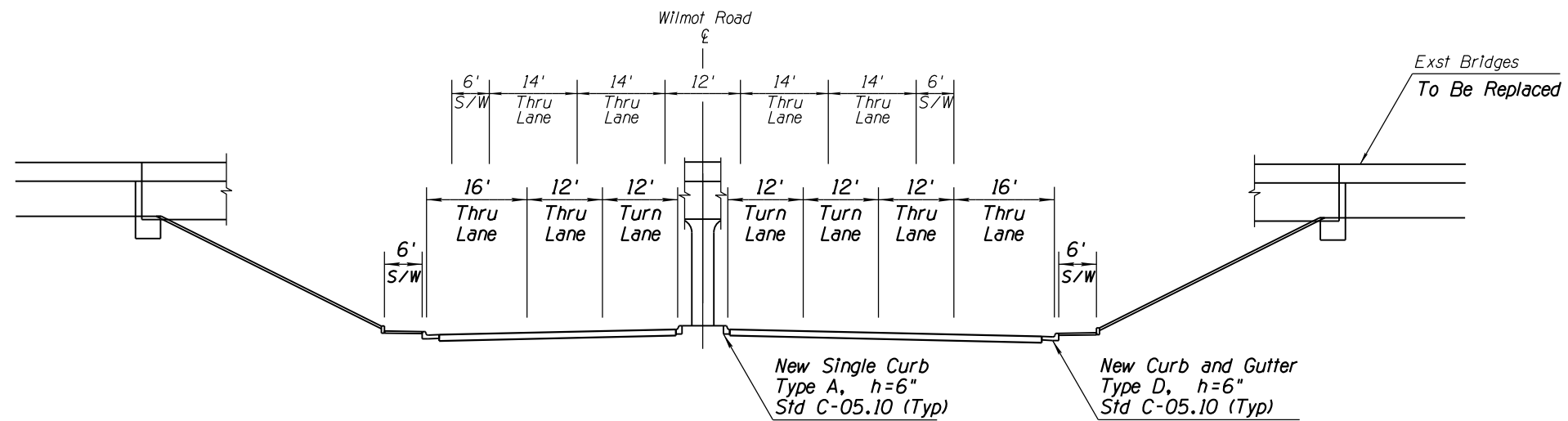
F.H.W.A. REGION	STATE	PROJECT NO.	SHEET NO.	TOTAL SHEETS	RECORD DRAWING
9	ARIZ.	010-E(210)S	44	46	

010 PM 260



**TYPICAL SECTION**

Craycroft Road  
Ground Level Crossroad  
New Crossroad  
New I-10 Bridges  
Looking North  
Under I-10



**TYPICAL SECTION**

Wilmot Road  
Ground Level Crossroad  
New Crossroad  
New I-10 Bridges  
Looking North  
Under I-10

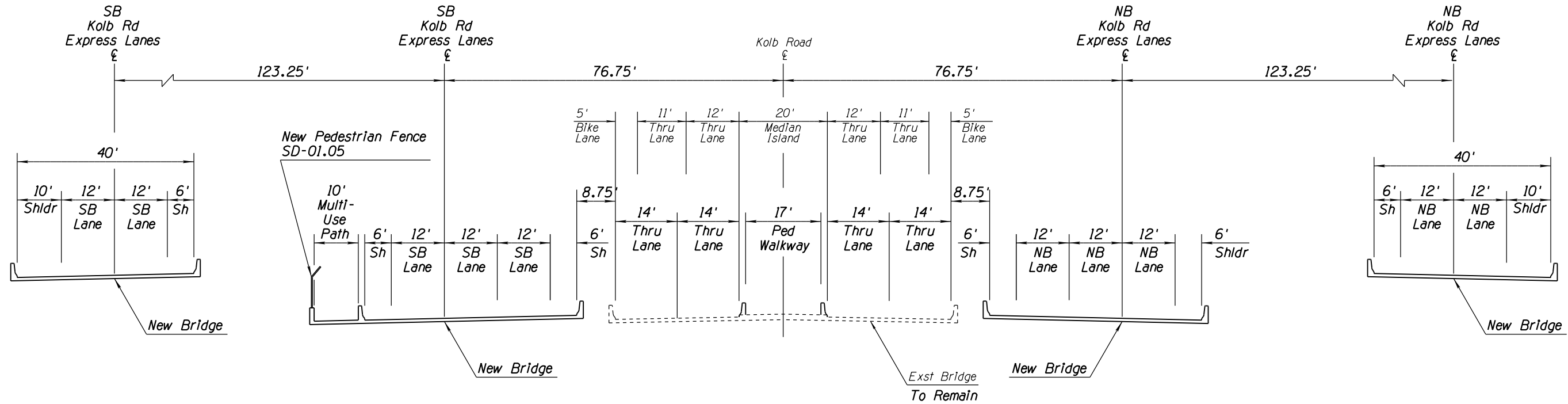
**APPENDIX J**

DESIGN	MKO/JBC	DATE	10-17	ARIZONA DEPARTMENT OF TRANSPORTATION INFRASTRUCTURE DELIVERY & OPERATIONS DIVISION <b>ROADWAY DESIGN SERVICES</b>	PRELIMINARY NOT FOR CONSTRUCTION OR RECORDING
DRAWN	SR/JLM	DATE	10-17		
CHECKED	PNB	DATE	12-17		
<b>JACOBS</b>		DESIGN SHEET I-10 SYSTEM ALT IV TYPICAL SECTIONS			
ROUTE	I-10	LOCATION	I-10 - JCT. I-19 TO KOLB ROAD SR 210 - GOLF LINKS ROAD TO I-10		SHEET TYP-44
TRACS NO.	H7825 OIL			010-E(210)S	OF

SURVEY NO. FINISHED PLANS REVISIONS LOCATION DATE SURVEY NO. FINISHED PLANS REVISIONS LOCATION DATE SURVEY NO. FINISHED PLANS REVISIONS LOCATION DATE

F.H.W.A. REGION	STATE	PROJECT NO.	SHEET NO.	TOTAL SHEETS	RECORD DRAWING
9	ARIZ.	010-E(210)S	45	46	

010 PM 260



TYPICAL SECTION  
 Kolb Road  
 Elevated Crossroad  
 New DDI Interchange  
 Existing & New Bridges  
 Looking North  
 Over I-10

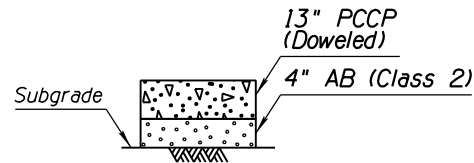
# APPENDIX J

DESIGN	MKO/JBC	10-17	ARIZONA DEPARTMENT OF TRANSPORTATION INFRASTRUCTURE DELIVERY & OPERATIONS DIVISION <b>ROADWAY DESIGN SERVICES</b>	PRELIMINARY NOT FOR CONSTRUCTION OR RECORDING
DRAWN	SR/JLM	10-17		
CHECKED	PNB	12-17		
<b>JACOBS</b>			DESIGN SHEET I-10 SYSTEM ALT IV TYPICAL SECTIONS	
ROUTE	I-10	LOCATION	I-10 - JCT. I-19 TO KOLB ROAD SR 210 - GOLF LINKS ROAD TO I-10	SHEET TYP-45
TRACS NO.	H7825 OIL		010-E(210)S	OF

SURVEY NO. FINISHED PLANS DATE REVISIONS LOCATION DATE FINISHED PLANS SURVEY NO.

F.H.W.A. REGION	STATE	PROJECT NO.	SHEET NO.	TOTAL SHEETS	RECORD DRAWING
9	ARIZ.	010-E(210)S	46	46	

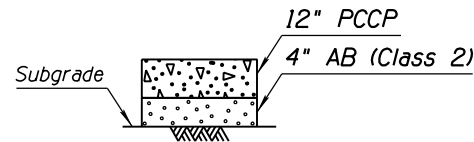
010 PM 260



Total Thickness = 17"

**SECTION NO. 1**

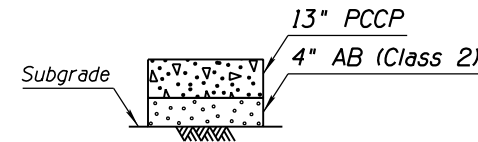
*I-10 Mainline  
(I-19 TI to Kolb TI)*



Total Thickness = 16"

**SECTION NO. 2**

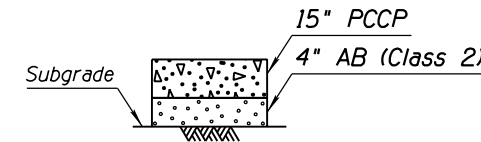
*SR 210 Mainline & Ramps*



Total Thickness = 17"

**SECTION NO. 3**

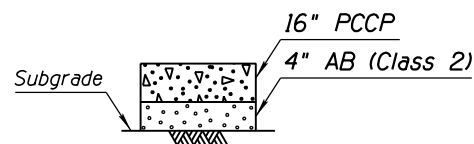
*I-10 CD Lanes  
I-10 Ramps  
(SR 210 to Kolb TI)*



Total Thickness = 19"

**SECTION NO. 4**

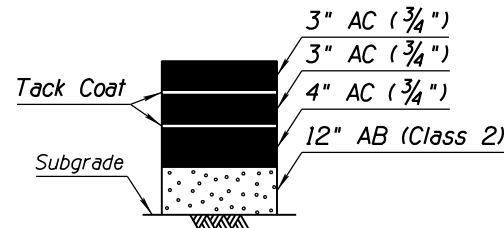
*I-10 Ramps  
(I-19 TI to Kino TI)*



Total Thickness = 20"

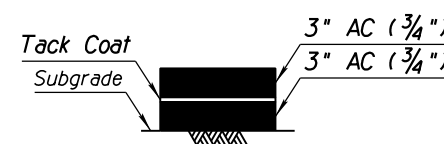
**SECTION NO. 5**

*I-10 Ramps  
(Kino TI to SR 210)*



Total Thickness = 22"

**SECTION NO. 6**



Total Thickness = 6"

**SECTION NO. 7**

*I-10 Interim AC*

# ALTERNATIVE IV – PAVEMENT STRUCTURAL SECTIONS

## APPENDIX J

DESIGN	MKO/JBC	10-17	ARIZONA DEPARTMENT OF TRANSPORTATION INFRASTRUCTURE DELIVERY & OPERATIONS DIVISION <b>ROADWAY DESIGN SERVICES</b>	PRELIMINARY NOT FOR CONSTRUCTION OR RECORDING
DRAWN	SR/JLM	10-17		
CHECKED	PNB	12-17		
<b>JACOBS</b>			DESIGN SHEET I-10 SYSTEM ALT IV PAVEMENT STRUCTURAL SECTIONS	
ROUTE	I-10 - JCT. I-19 TO KOLB ROAD			
	SR 210 - GOLF LINKS ROAD TO I-10			
TRACS NO.	H7825 OIL		010-E(210)S	SHEET TYP-46 <u>  OF  </u>

REVISIONS- LOCATION- DATE-  
 FINISHED PLANS- SURVEY NO.- DATE-  
 REVISIONS- LOCATION- DATE-  
 FINISHED PLANS- SURVEY NO.- DATE-